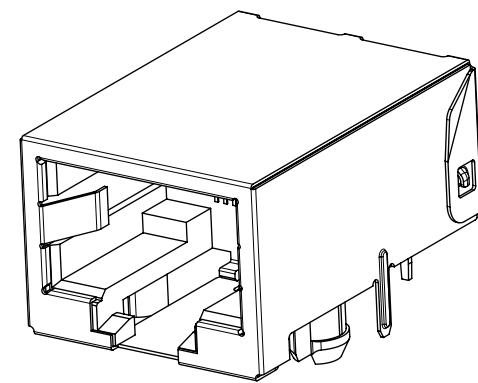
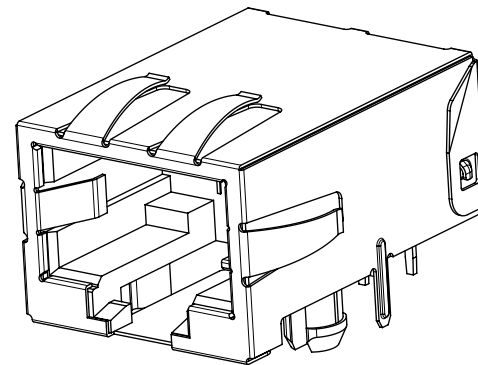


NOTES:

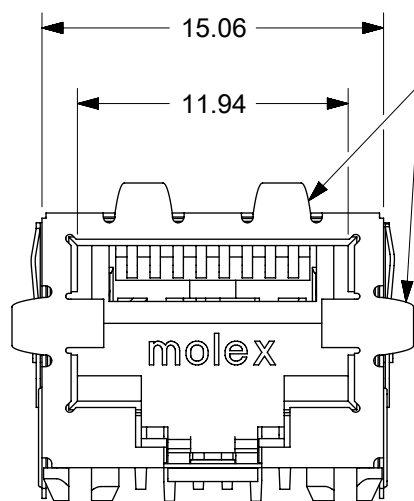
- 1) MATERIAL:
HOUSING: NYLON(PA), GLASS FILLED, UL94V-0, COLOR: BLACK
TERMINALS: PHOSPHOR BRONZE
SHIELD: BRASS, 0.18 THICK
- 2) FINISH:
TERMINALS:
SELECT GOLD IN CONTACT AREA: 1.27 MICROMETERS MIN.,
SELECT MATTE TIN IN PC TAIL AREA: 2.54 MICROMETERS MIN.,
WITH OVERALL NICKEL UNDERPLATE: 1.27 MICROMETERS MIN.
SHIELD:
2.54 MICROMETERS NICKEL OVER 1.27 MICROMETERS
COPPER UNDERPLATE; PCB GROUND TABS DIPPED IN TIN
- 3) PRODUCT SPECIFICATION AND PROCESSING PARAMETERS: PS-44560-003.
- 4) PACKAGING SPECIFICATION:
CONNECTOR PACKAGED IN TRAYS PER MOLEX PACKAGING
SPECIFICATION PK-44661-004.
- 5) CONFORMS TO FCC REGULATION PART 68.5 FOR MODULAR JACKS.
- 6) ENHANCED GROUND TABS SHIELD (OPTION -B-) IS SHOWN IN THIS DRAWING.
- 7) SEE SHEET (4) OF (4) FOR RECOMMENDED PANEL OPENING AND PCB LAYOUT.
- 8) ASSEMBLY AVAILABLE WITH EITHER SNAP-FIT OR PRESS-FIT PEGS. THIS DRAWING SHOWS SNAP-FIT PEGS.
- 9) TERMINAL LENGTHS MAY BE DIFFERENT FROM TERMINAL TO TERMINAL.
- 10) THIS PART CONFORMS TO CLASS B REQUIREMENTS OF COSMETIC SPECIFICATION PS-45499-002 WITH THE EXCEPTION OF THE SURFACE INDICATED, WHICH IS A CLASS C SURFACE.



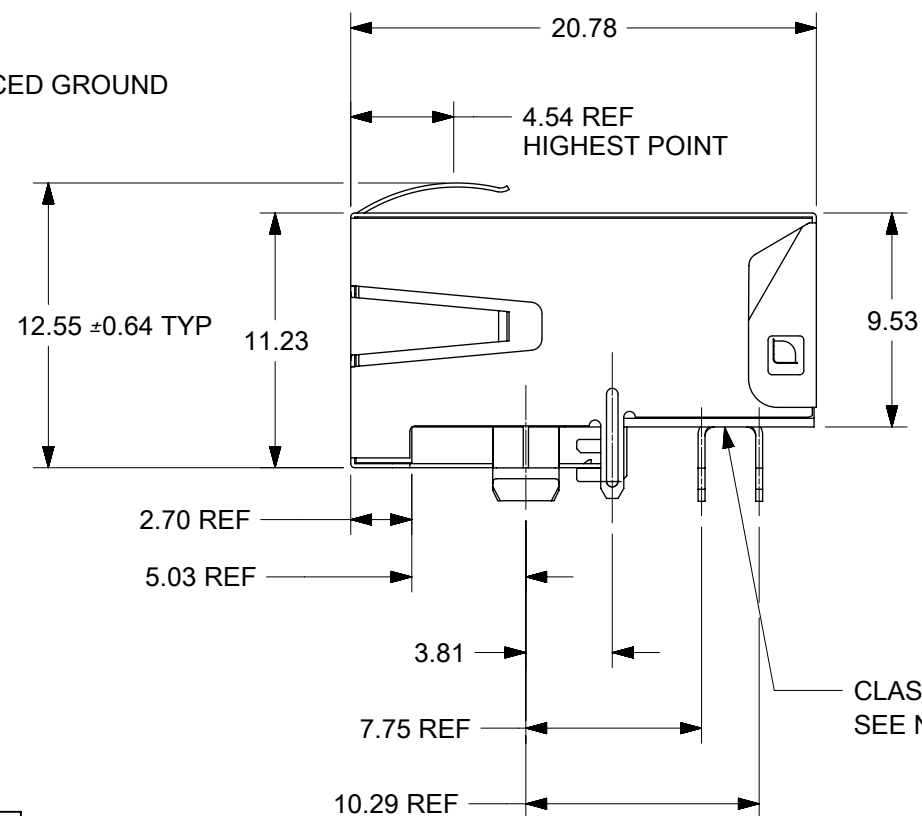
SHIELDING OPTION -A-
STANDARD SHIELD



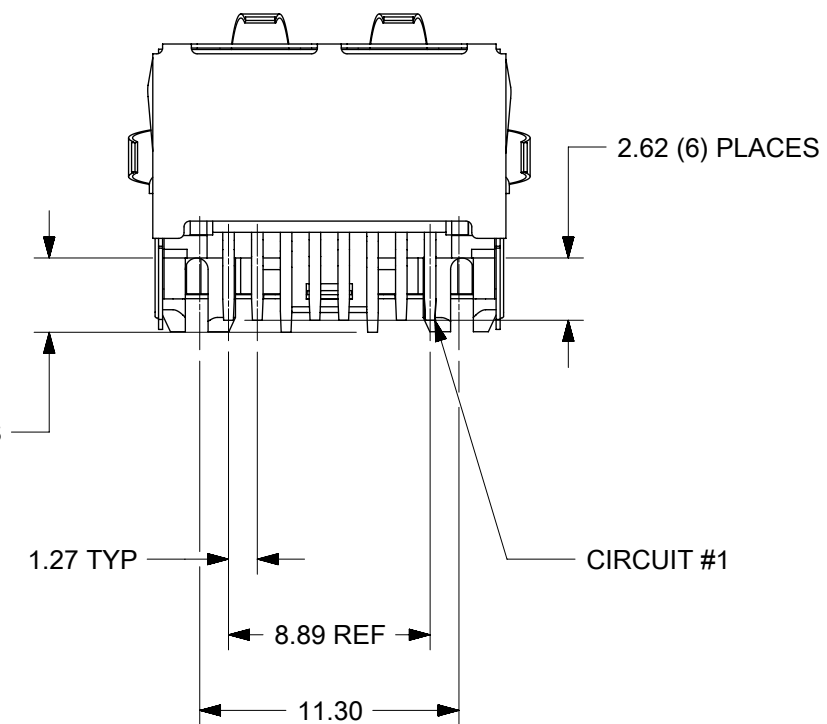
SHIELDING OPTION -B-
ENHANCED GROUND TABS



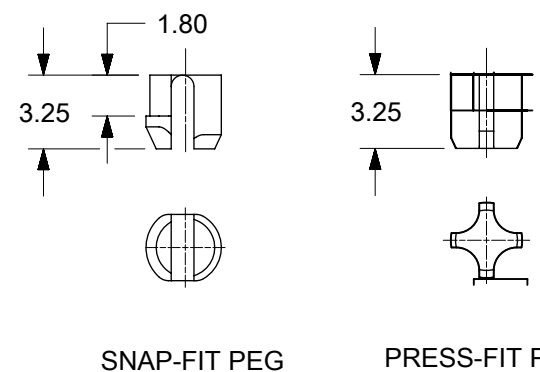
ENHANCED GROUND
TABS



CLASS C SURFACE
SEE NOTE 10



ASSEMBLY MATERIAL NUMBER	PEG STYLE	SHIELDING OPTION
446610001	SNAP-FIT	A
446610011	SNAP-FIT	B
446611001	PRESS-FIT	A
446611011	PRESS-FIT	B
446611131	PRESS-FIT	B



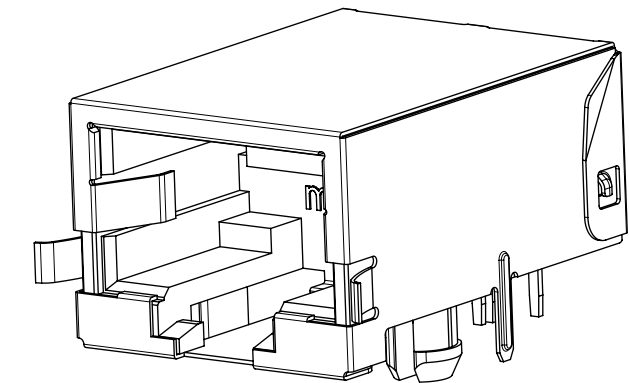
SNAP-FIT PEG

PRESS-FIT PEG

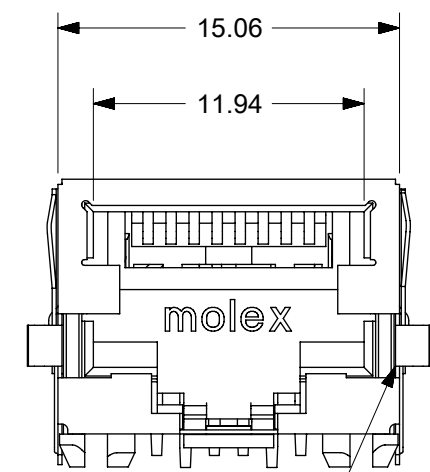
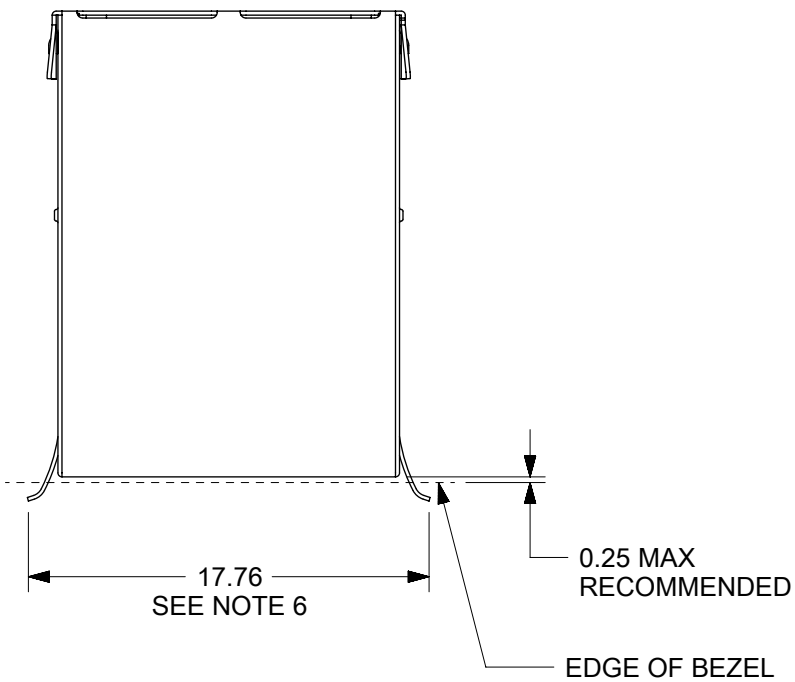
SYMBOLS	THIS DRAWING CONTAINS INFORMATION THAT IS PROPRIETARY TO MOLEX ELECTRONIC TECHNOLOGIES, LLC AND SHOULD NOT BE USED WITHOUT WRITTEN PERMISSION		CURRENT REV DESC: MIGRATED TO NX		molex
	DIMENSION UNITS	SCALE			
▽ = 0	mm	3:1			COMPACT SINGLE PORT CATEGORY 5E MODJACK
▽ = 0	GENERAL TOLERANCES (UNLESS SPECIFIED)				
▽ = 0	ANGULAR TOL ± 0.5°				PRODUCT CUSTOMER DRAWING
▽ = 0	4 PLACES ±	EC NO: 613335			
▽ = 0	3 PLACES ±	DRWN: NSRIVATSAHS 2018/02/07			DOCUMENT NUMBER
▽ = 0	2 PLACES ±	CHK'D: KLANG 2019/03/11			
▽ = 0	1 PLACE ±	APPR: KLANG 2019/03/11			SD-44661-001
▽ = 0	0 PLACES ±	INITIAL REVISION:			
□ = 0	DRAFT WHERE APPLICABLE MUST REMAIN WITHIN DIMENSIONS		DRWN: MKAMAR 0001/04/07	0001/04/07	PSD 001
▽ = 0	THIRD ANGLE PROJECTION		DRAWING	SERIES	REVISION
	A3-SIZE		44661	SEE CHART	G6
	MATERIAL NUMBER		CUSTOMER	SHEET NUMBER	
	44661		GENERAL MARKET	2 OF 4	

NOTES:

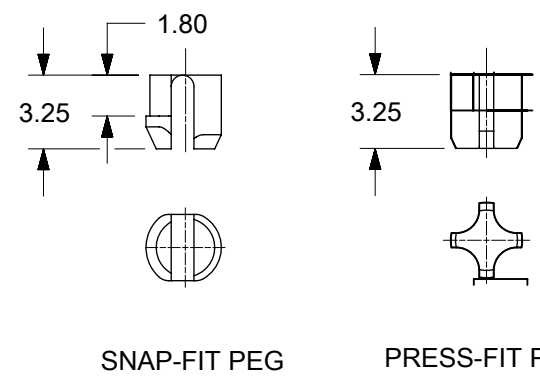
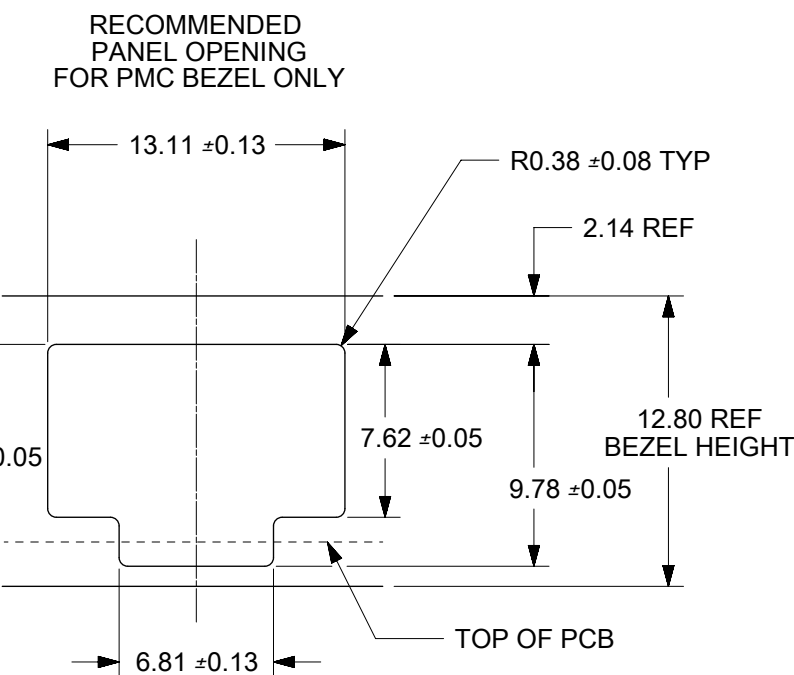
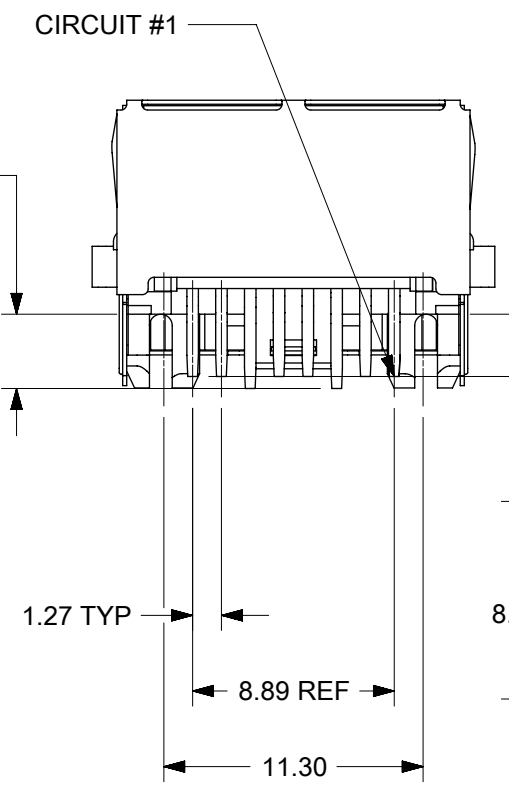
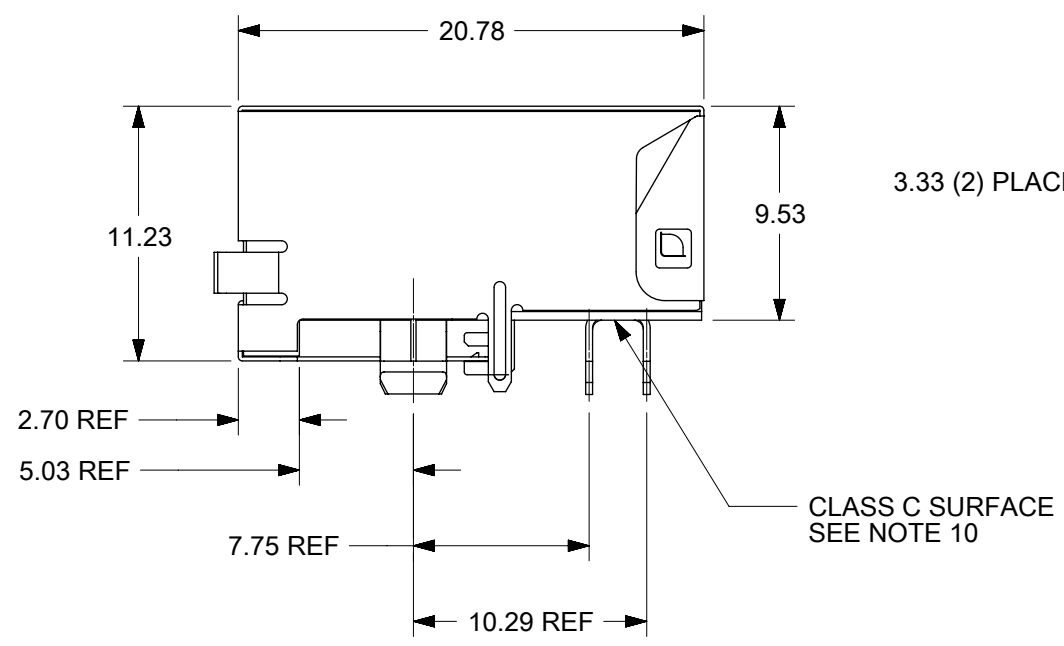
- 1) MATERIAL:
HOUSING: NYLON (PA), GLASS FILLED, UL94V-0, COLOR: BLACK
TERMINALS: PHOSPHOR BRONZE
SHIELD: BRASS, 0.18 THICK
- 2) FINISH:
TERMINALS:
SELECT GOLD IN CONTACT AREA: 1.27 MICROMETERS MIN.,
SELECT MATTE TIN IN PC TAIL AREA: 2.54 MICROMETERS MIN.,
WITH OVERALL NICKEL UNDERPLATE: 1.27 MICROMETERS MIN.
SHIELD:
2.54 MICROMETERS NICKEL OVER 1.27 MICROMETERS
COPPER UNDERPLATE; PCB GROUND TABS DIPPED IN TIN.
- 3) PRODUCT SPECIFICATION AND PROCESSING PARAMETERS: PS-44560-003.
- 4) PACKAGING SPECIFICATION:
CONNECTOR PACKAGED IN TRAYS PER MOLEX PACKAGING
SPECIFICATION PK-44661-004.
- 5) CONFORMS TO FCC REGULATION PART 68.5 FOR MODULAR JACKS.
- 6) THIS DIMENSION HAS A MAXIMUM OF 20.45 WHEN THE JACK IS INSTALLED
BEHIND THE BEZEL.
- 7) SEE SHEET (4) OF (4) FOR PCB LAYOUT.
- 8) ASSEMBLY AVAILABLE WITH EITHER SNAP-FIT OR PRESS-FIT PEGS. THIS
DRAWING SHOWS SNAP-FIT PEGS.
- 9) TERMINAL LENGTHS MAY BE DIFFERENT FROM TERMINAL TO TERMINAL.
- 10) THIS PART CONFORMS TO CLASS B REQUIREMENTS OF COSMETIC
SPECIFICATION PS-45499-002 WITH THE EXCEPTION OF THE SURFACE
INDICATED, WHICH IS A CLASS C SURFACE.



SHIELDING OPTION -C-
BEZEL GROUND TABS



BEZEL GROUND TAB



"X" = NOT TOOLED	ASSEMBLY MATERIAL NUMBER	PEG STYLE
	446610021	SNAP-FIT
X	446611021	PRESS-FIT

SYMBOLS		THIS DRAWING CONTAINS INFORMATION THAT IS PROPRIETARY TO MOLEX ELECTRONIC TECHNOLOGIES, LLC AND SHOULD NOT BE USED WITHOUT WRITTEN PERMISSION	
▽ = 0	mm	SCALE	1:1
▽ = 0	GENERAL TOLERANCES (UNLESS SPECIFIED)		
▽ = 0	ANGULAR TOL	±	0.5°
▽ = 0	4 PLACES	±	
▽ = 0	3 PLACES	±	
▽ = 0	2 PLACES	±	0.3
▽ = 0	1 PLACE	±	
▽ = 0	0 PLACES	±	
■ = 0	DRAFT WHERE APPLICABLE MUST REMAIN WITHIN DIMENSIONS		
▽ = 0	THIRD ANGLE PROJECTION		
CURRENT REV DESC: MIGRATED TO NX		molex	
EC NO: 613335		COMPACT SINGLE PORT CATEGORY 5E MODJACK	
DRWN: NSRIVATSAHS	2018/02/07		
CHK'D: KLANG	2019/03/11		
APPR: KLANG	2019/03/11		
INITIAL REVISION:		PRODUCT CUSTOMER DRAWING	
DRWN: MKAMAR	0001/04/07	DOCUMENT NUMBER	DOC TYPE DOC PART REVISION
APPR: MKAMAR	0001/04/07	SD-44661-001	PSD 001 G6
MATERIAL NUMBER	CUSTOMER	SHEET NUMBER	
44661	GENERAL MARKET	3 OF 4	

