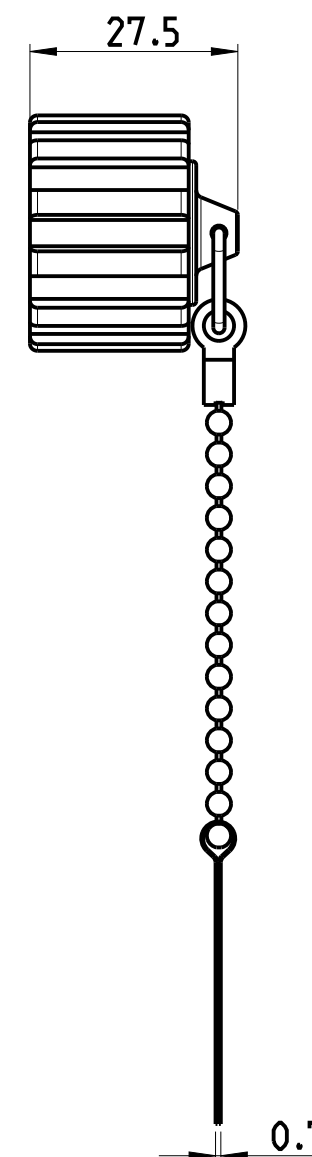
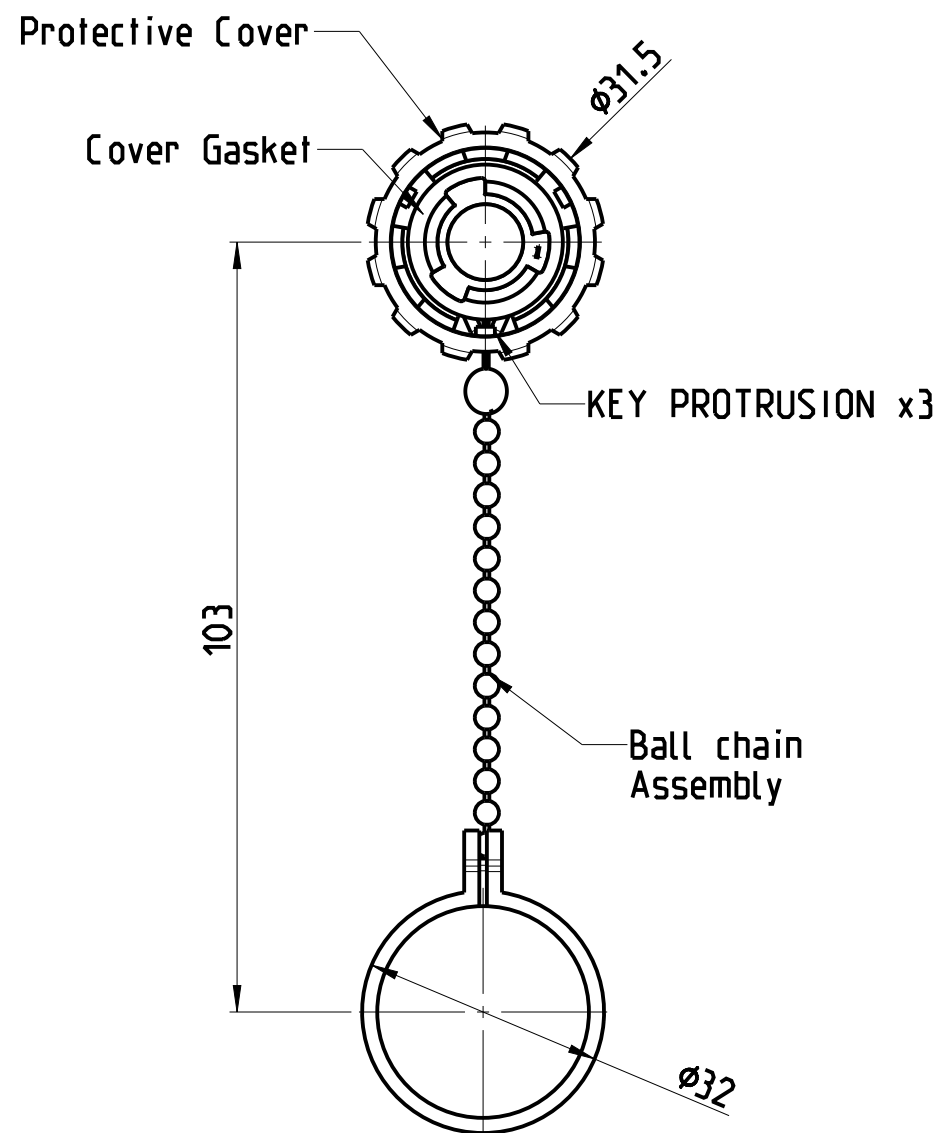


REVISIONS

P	LTR	DESCRIPTION	DATE	DWN	APVD
1		PRELIMINARY DRAWING	12MAY2021	NM	JDB
A		GTP ECN-21-106099	14 JUN2021	NM	JDB



1SET316006R0000 AS SHOWN

Notes:

- 1. Material and Finish:
 - Protective Cover: Zinc Die-Cast, Nickel Plated
 - Cover Gasket: Silicon, Color: Transparent
 - Ball Chain Assembly, Copper Alloy and Stainless steel, Nickel Plated

- 2. Operating Temperature: -40°C to +85°C
- 3. IP67 rated when fully mated with the appropriate connector
- 4. RoHS compliant
- 5. Packaging Spec: 107-19763

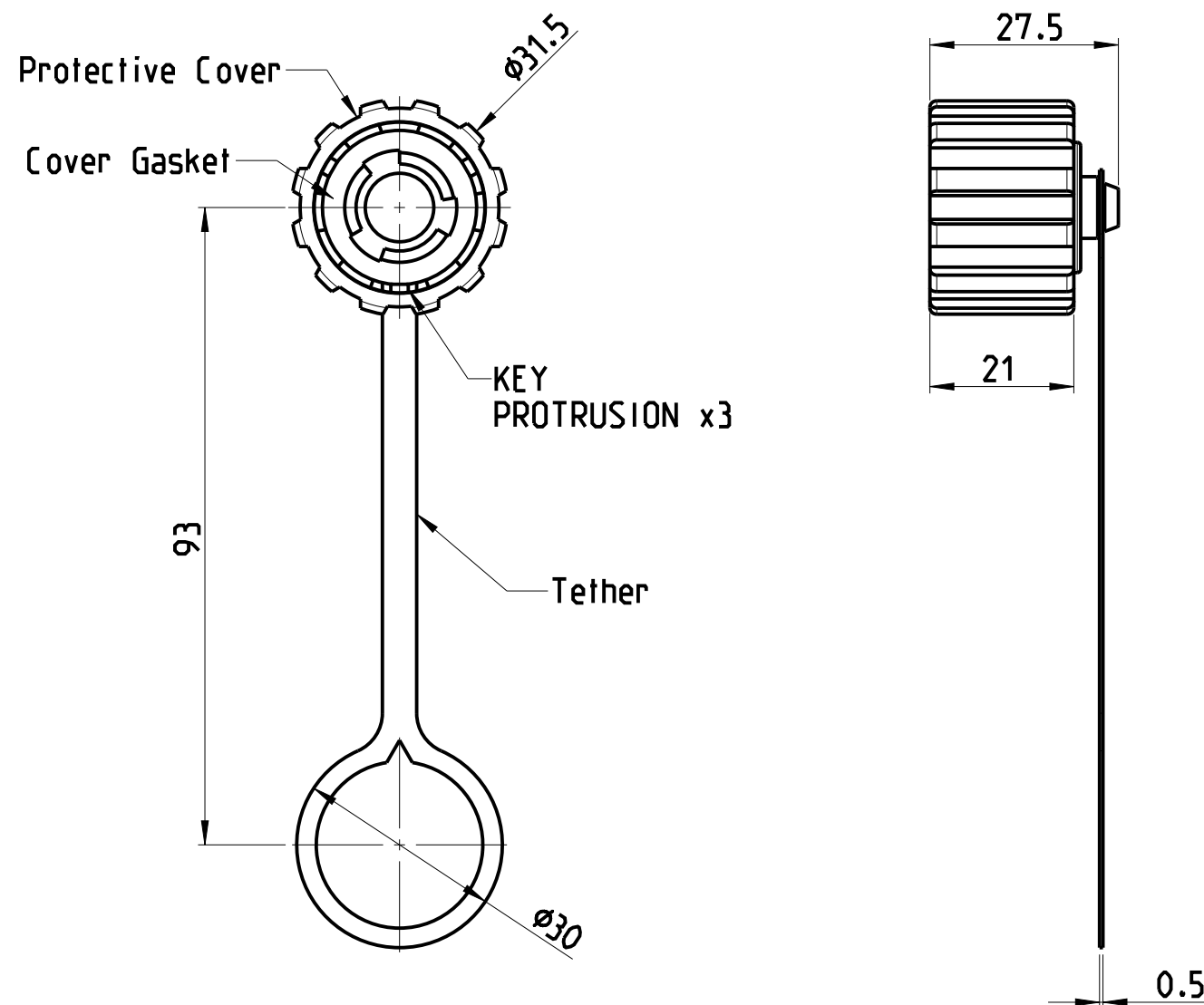
- 6. Material and Finish:
 - Protective Cover: PBT UL 94 V-0, black
 - Cover Gasket: Silicon, Color: Transparent
 - Tether: PE black

E81956	6	2355444-2	1SET316002R0000
E81956	1	2355444-1	1SET316006R0000
UL NO.	MATERIAL	TEPN	ENTRELEC PN

THIS DRAWING IS A CONTROLLED DOCUMENT.		DWN N.MANTIKOU 12MAY2021		ENTRELEC Electrical Solutions	
DIMENSIONS: mm		CHK B.PENG 12MAY2021			
TOLERANCES UNLESS OTHERWISE SPECIFIED:		APVD J.D. BRULIN 12MAY2021		NAME PROTECTIVE COVER ASSEMBLY KIT	
0 PLC ±0.50		PRODUCT SPEC -		SIZE A3	
1 PLC ±0.38		APPLICATION SPEC 114-19162		CAGE CODE 00779	
2 PLC ±0.25		WEIGHT -		DRAWING NO C-1SET316002R0000	
3 PLC ±0.10		CUSTOMER DRAWING		RESTRICTED TO -	
4 PLC ±		SCALE 1:1		SHEET 1 OF 2	
ANGLES ±3°		FINISH SEE TABLE		REV A	
MATERIAL SEE TABLE					

REVISIONS

P	LTR	DESCRIPTION	DATE	DWN	APVD
-		SEE SHEET 1	-	-	-



1SET316002R0000 AS SHOWN

THIS DRAWING IS A CONTROLLED DOCUMENT.		DWN N.MANTIKOU 12MAY2021	ENTRELEC Electrical Solutions														
		CHK B.PENG 12MAY2021															
DIMENSIONS: mm		APVD J.D. BRULIN 12MAY2021	NAME PROTECTIVE COVER ASSEMBLY KIT														
TOLERANCES UNLESS OTHERWISE SPECIFIED:		PRODUCT SPEC -	RESTRICTED TO -														
<table border="1"> <tr><td>0 PLC</td><td>±0.50</td></tr> <tr><td>1 PLC</td><td>±0.38</td></tr> <tr><td>2 PLC</td><td>±0.25</td></tr> <tr><td>3 PLC</td><td>±0.10</td></tr> <tr><td>4 PLC</td><td>±</td></tr> <tr><td>ANGLES</td><td>±3°</td></tr> </table>		0 PLC	±0.50	1 PLC	±0.38	2 PLC	±0.25	3 PLC	±0.10	4 PLC	±	ANGLES	±3°	APPLICATION SPEC 114-19162	SIZE A3	CAGE CODE 00779	DRAWING NO C-1SET316002R0000
0 PLC	±0.50																
1 PLC	±0.38																
2 PLC	±0.25																
3 PLC	±0.10																
4 PLC	±																
ANGLES	±3°																
MATERIAL SEE TABLE	FINISH SEE TABLE	WEIGHT -															
		CUSTOMER DRAWING	SCALE 1:1	SHEET 2 OF 2	REV A												