



Enclosure for command devices, 22 mm, round, Enclosure material plastic, Enclosure top part yellow, 2 control points plastic, B=Indicator light red, LED 24 V, screw terminal, label without inscription, A=Emergency stop 40 mm rotate-to-unlatch, label without inscription, 1 NO, 1 NC, 1 NC, screw terminal, floor mounting, 1xM20 each on top and bottom, Labels enclosed

product brand name	SIRIUS ACT
product designation	Enclosures
product type designation	3SU1
equipment of commanding and signaling device	A = EMERGENCY-STOP mushroom pushbutton, 40 mm, with positive latching according to ISO 13850 and rotate-to-unlatch mechanism / B = indicator light 24 V AC/DC
manufacturer's article number	
<ul style="list-style-type: none"> of supplied contact module of supplied contact module at the command point A 1 of supplied contact module at the command point A 2 of supplied contact module at the command point A 3 of supplied LED module of supplied LED module at the command point B of the supplied holder of the supplied holder at the command point A of the supplied holder at the command point B of the supplied actuator of the supplied actuator at the command point A of the supplied actuator at the command point B of supplied repeater of supplied empty enclosure of supplied accessory of the supplied accessories at the command point A of the supplied accessories at the command point B 	<p>A1 = 3SU1400-2AA10-1CA0, A2 = 3SU1400-2AA10-1BA0, A3 = 3SU1400-2AA10-1CA0 3SU1400-2AA10-1CA0</p> <p>3SU1400-2AA10-1BA0</p> <p>3SU1400-2AA10-1CA</p> <p>B3 = 3SU1401-2BG20-1AA0 3SU1401-2BB20-1AA0</p> <p>A = 3SU1500-0AA10-0AA0, B = 3SU1500-0AA10-0AA0 3SU1500-0AA10-0AA0 3SU1500-0AA10-0AA0</p> <p>A = 3SU1000-1HB20-0AA0 3SU1000-1HB20-0AA0 3SU1001-6AA20-0AA0</p> <p>B = 3SU1001-6AA20-0AA0 3SU1802-0AA00-0AB2</p> <p>A = 3SU1900-0AF16-0AA0, B = 3SU1900-0AF16-0AA0 3SU1900-0AF16-0AA0 3SU1900-0AF16-0AA0</p>
Enclosure	
design of the housing	with recess for label
shape of the enclosure front	rectangular
material of the enclosure	plastic
number of command points	2
product component	
<ul style="list-style-type: none"> EMERGENCY STOP device protective collar 	<p>Yes</p> <p>No</p>
color of the enclosure top part	yellow
delivery state	
<ul style="list-style-type: none"> as a kit pre-wired on strip terminal 	<p>No</p> <p>No</p>
fastening method of the enclosure	Vertical

Actuator	
design of the actuating element	Indicator light / EMERGENCY STOP mushroom pushbutton
suitability for use EMERGENCY OFF switch	Yes
product feature lockout	No
product extension optional light source	Yes
color of the actuating element	A = red / B = red
material of the actuating element	plastic
shape of the actuating element	round
number of contact modules	3
type of unlocking device	A = Rotate to unlock / B = none
Front ring	
product component front ring	Yes
design of the front ring	Standard
material of the front ring	plastic
color of the front ring	black
Holder	
material of the holder	Plastic
Display	
number of LED modules	1
General technical data	
product function	
• positive opening	Yes
• EMERGENCY OFF function	Yes
• EMERGENCY STOP function	Yes
protection class IP	IP66, IP67, IP69(IP69K)
degree of protection NEMA rating	1, 2, 3, 3R, 4, 4X, 12K, 13
shock resistance	
• according to IEC 60068-2-27	sinusoidal half-wave 15g / 11 ms
• for railway applications according to EN 61373	Category 1, Class B
vibration resistance	
• according to IEC 60068-2-6	10 ... 500 Hz: 5g
• for railway applications according to EN 61373	Category 1, Class B
reference code according to IEC 81346-2	S
continuous current of the C characteristic MCB	10 A; for a short-circuit current smaller than 400 A
continuous current of the quick DIAZED fuse link	10 A
continuous current of the DIAZED fuse link gG	10 A
Substance Prohibitance (Date)	10/01/2014
operating voltage	
• at AC	
— at 50 Hz rated value	24 ... 24 V
— at 60 Hz rated value	24 ... 24 V
• at DC rated value	24 ... 24 V
Communication/ Protocol	
design of the interface for communication	without
Auxiliary circuit	
design of the contact of auxiliary contacts	Silver alloy
number of NC contacts for auxiliary contacts	2
number of NO contacts for auxiliary contacts	1
Connections/ Terminals	
type of electrical connection of modules and accessories	Screw-type terminal
type of electrical connection on enclosure	Cable routing above and below, both 1 x M20
tightening torque of the screws in the bracket	1 ... 1.2 N·m
tightening torque of fixing screws in the enclosure cover	1.5 ... 1.7 N·m
tightening torque with screw-type terminals	0.8 ... 0.9 N·m
Lamp	
light intensity	450 ... 1 120 mcd
Ambient conditions	
ambient temperature	

<ul style="list-style-type: none"> during operation during storage 	-25 ... +70 °C -40 ... +80 °C
environmental category during operation according to IEC 60721	3M6, 3S2, 3B2, 3K6 (with relative air humidity of 10 ... 95%, no condensation in operation permitted for all devices behind front panel)

Installation/ mounting/ dimensions

fastening method of modules and accessories	Floor mounting
height	114 mm
width	85 mm
depth	109 mm
shape of the installation opening	round

Accessories

number of labels	2
marking of the name plate for command devices	A = without inscription / B = without inscription
color of the label	A = black / B = black
number of inscription plates	0

Certificates/ approvals

General Product Approval



[Confirmation](#)



Declaration of Conformity Test Certificates Marine / Shipping



[Special Test Certificate](#)

[Type Test Certificates/Test Report](#)



Marine / Shipping other



[Environmental Confirmations](#)

[Confirmation](#)

Further information

Information- and Downloadcenter (Catalogs, Brochures,...)

<https://www.siemens.com/ic10>

Industry Mall (Online ordering system)

<https://mall.industry.siemens.com/mall/en/en/Catalog/product?mlfb=3SU1802-0NB00-2AB2>

Cax online generator

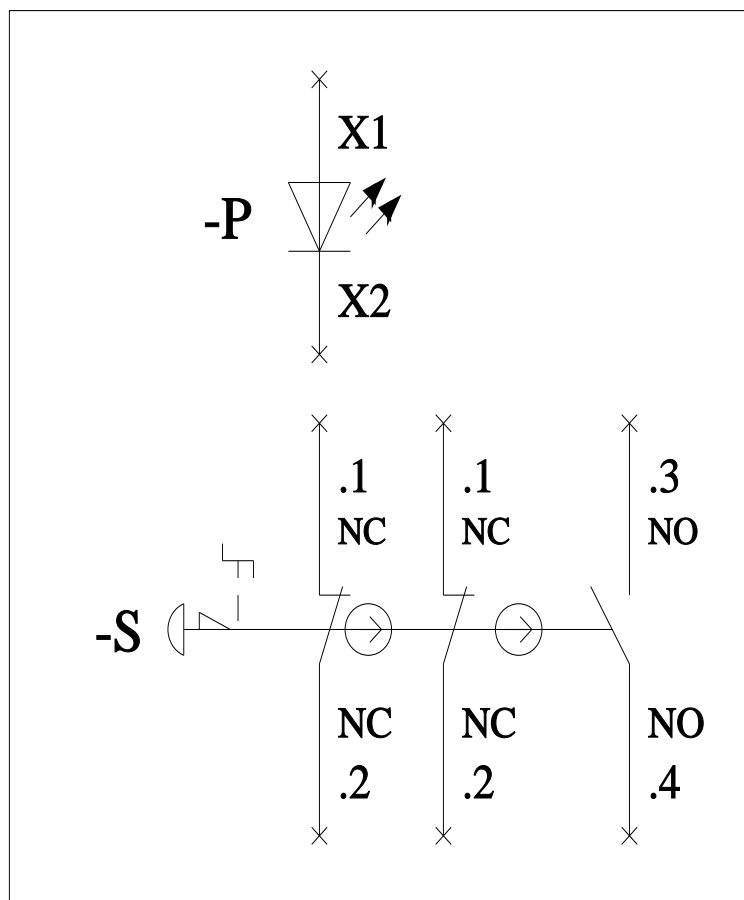
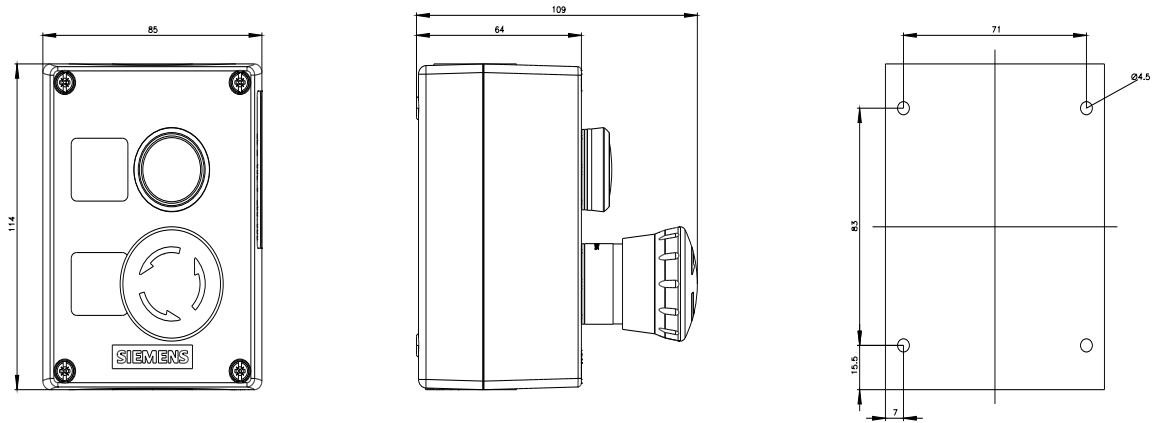
<http://support.automation.siemens.com/WWW/CAXorder/default.aspx?lang=en&mlfb=3SU1802-0NB00-2AB2>

Service&Support (Manuals, Certificates, Characteristics, FAQs,...)

<https://support.industry.siemens.com/cs/ww/en/ps/3SU1802-0NB00-2AB2>

Image database (product images, 2D dimension drawings, 3D models, device circuit diagrams, EPLAN macros, ...)

http://www.automation.siemens.com/bilddb/cax_de.aspx?mlfb=3SU1802-0NB00-2AB2&lang=en



last modified:

1/26/2022