

# Engraving material - GPE 22 X 12 WH - 0806929

Please be informed that the data shown in this PDF Document is generated from our Online Catalog. Please find the complete data in the user's documentation. Our General Terms of Use for Downloads are valid (<http://download.phoenixcontact.com>)

Engraving material, Sheet, white, Unlabeled, Can be labeled with: Gravur, Plotter, Mounting type: Adhesive, Lettering field: 22 x 12 mm



The figure shows the version GPE 20x8 WH

## Why buy this product

- Can be labeled easily using the CMS-P1-PLOTTER
- Can be engraved using the P1 ENGRAVING UNIT
- Two-layer material
- The adhesive foil used ensures good adhesive properties, even on uneven surfaces
- Labeling service: Phoenix Contact can custom-label all GPE ... markers according to your requirements
- The label sheet consists of prefabricated, individual self-adhesive labels



## Key commercial data

Packing unit	1
Minimum order quantity	10
Catalog page	Page 226 (CL2-2011)
GTIN	 4 017918 145064
Weight per Piece (excluding packing)	18.91 GRM
Country of origin	GERMANY

## Technical data

### General

Note	Can be labeled with CMS
Length (b)	195 mm
Width (a)	100 mm
Color	white
Ambient temperature (operation)	-20 °C ... 85 °C
Components	free from silicone and halogen
Material	TRANSPLY-ABS
Number of individual labels	60

# Engraving material - GPE 22 X 12 WH - 0806929

## Technical data

### General

Number of individual labels per row	4
-------------------------------------	---

## Classifications

### eclass

eCl@ss 4.0	24190218
eCl@ss 4.1	24190218
eCl@ss 5.0	27141137
eCl@ss 5.1	27141137
eCl@ss 6.0	27141137

### etim

ETIM 2.0	EC000761
ETIM 3.0	EC000761
ETIM 4.0	EC000761

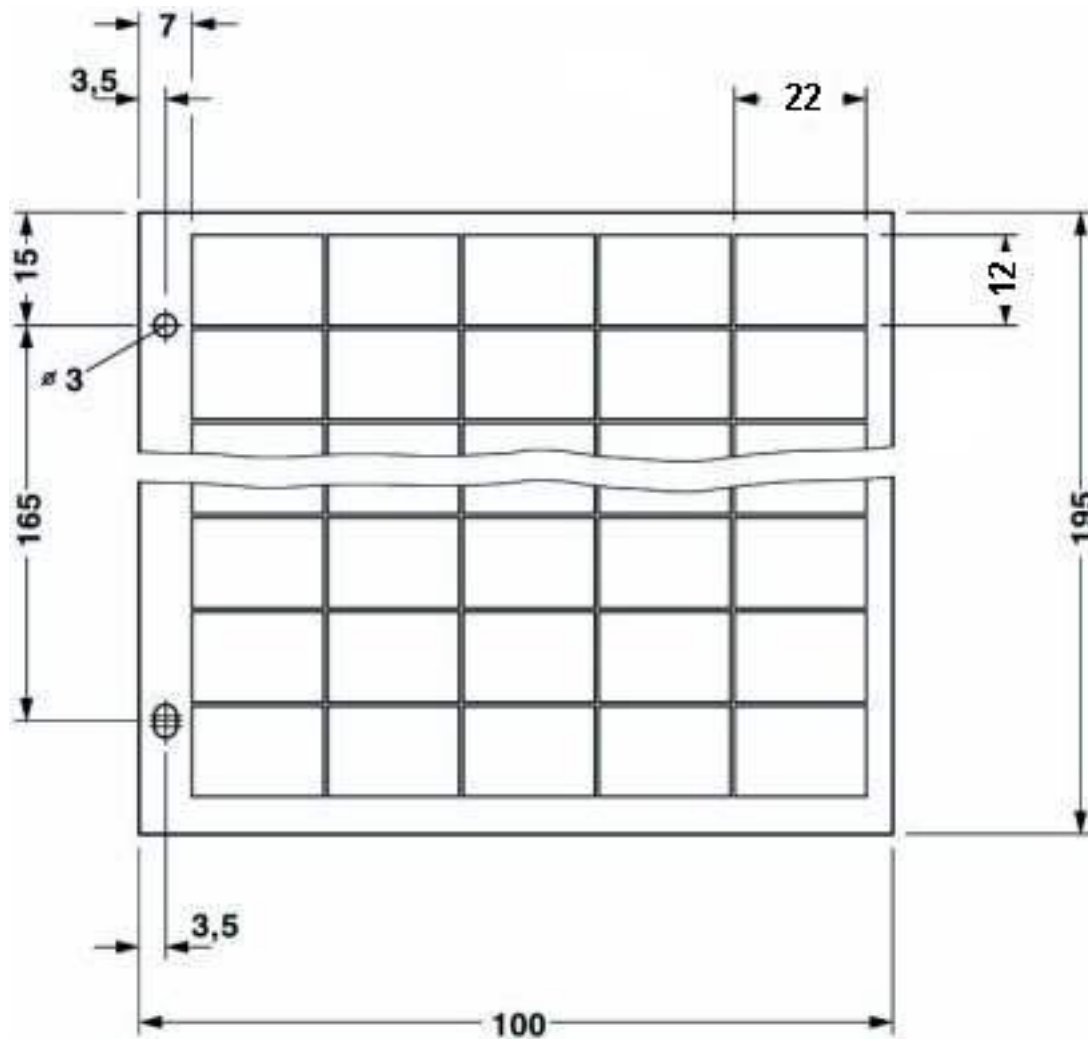
### unspsc

UNSPSC 6.01	30211811
UNSPSC 7.0901	39121410
UNSPSC 11	39121410
UNSPSC 12.01	39121410
UNSPSC 13.2	39121410

## Drawings

# Engraving material - GPE 22 X 12 WH - 0806929

Dimensioned drawing



© Phoenix Contact 2012 - all rights reserved  
<http://www.phoenixcontact.com>