

# Data sheet

## E-DAT modul coupler 8(8) 90° class E<sub>A</sub>

Page 1/7

P/N  
1309A1-I

EAN 4250184106623

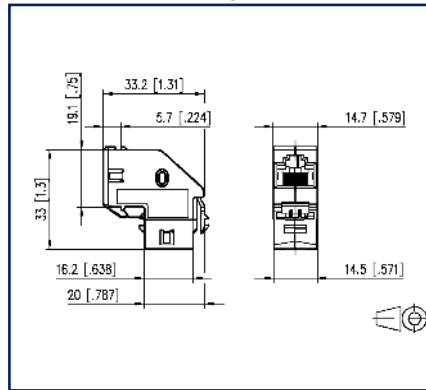
2023/04/05

Version: AO

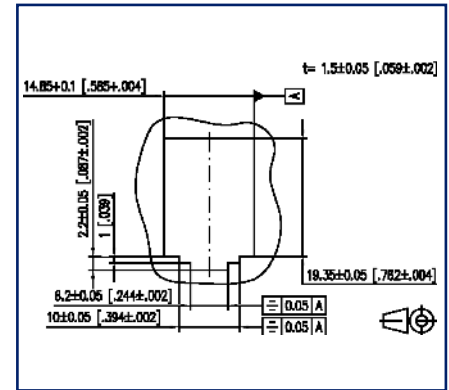
### Illustrations



Dimensional drawing



Drill pattern



See enlarged drawings at the end of document

### Product specification

- RJ45 cable coupler class E<sub>A</sub>
- compliance with class E<sub>A</sub> to ISO/IEC 11801, DIN EN 50173-1
- suitable for 10 GBit Ethernet (IEEE 802.3an), Remote Powering (PoE, PoE plus and UPoE) and HDBaseT
- fully shielded 90° coupler made of refined zinc die-casting
- especially suitable for consolidation points and cross-connect cabling
- 2 mounting versions in a coupler, fits in module or keystone applications

Suitable applications  
for module design

- module wall outlets
- module face plates
- Modul REG IP20
- Industry built in flange EBM

for keystone design

- keystone face plates
- Industry built in flange EBK

### Technical Data

#### General Data

|   |                                   |
|---|-----------------------------------|
| Fields of application                         | Consolidation points              |
| Mechanical measurement according to MICE      | M1                                |
| Ingress measurement according to MICE         | I1                                |
| Climatic measurement according to MICE        | C1                                |
| Electromagnetic measurement according to MICE | E2                                |
| Design  | coupler / adapter (FO)            |
| Shielding                                     | shielded                          |
| Transmission technology                       | Copper                            |
| Color   | metallike                         |
| Dimensions                                    |                                   |
| Dimension (L x W x H)                         | 33.2 mm x 14.7 mm x 33 mm         |
| Dimension (L x W x H)                         | 1.307 in. x 0.579 in. x 1.299 in. |
| Modularity                                    | yes                               |
| Labeling option                               | on housing                        |

#### Transmission characteristics

|                                 |                |
|---------------------------------|----------------|
| Class (ISO/IEC)                 | E <sub>A</sub> |
| Remote Powering                 | yes            |
| PoE                             | IEEE 802.3af   |
| PoE plus                        | IEEE 802.3at   |
| UPoE                            | yes            |
| HDBaseT                         | yes            |
| Transmission rate up to 10 GBit | IEEE 802.3an   |

#### Connections/interfaces

|  |           |
|--|-----------|
| Connector technology interface 1         | RJ45-jack |
| Connector technology interface 2         | RJ45-jack |
| Number of ports interface 1              | 1         |
| Number of ports interface 2              | 1         |
| Number of equipped ports interface 1     | 1         |
| Number of ports interface 2 equipped     | 1         |
| Number of positions/contacts interface 1 | 8P/8C     |
| Number of positions/contacts interface 2 | 8P/8C     |

### Technical Data

#### Electrical characteristics

|   |                |
|---|----------------|
| Current carrying capacity                           | max. 1 A       |
| Rated voltage                                       | max. 50 V      |
| Contact resistance                                  | max. 20 mOhm   |
| Through resistance                                  | max. 200 mOhm  |
| Insulation resistance                               | min. 500 MOhm  |
| Dielectric strength conductor-conductor (secondary) | min. 1000 V DC |

#### Mechanical data

|  |                  |
|--|------------------|
| Mounting method  | snap-in function |
| Insertion and withdrawal force                               | max. 20 N        |
| Position/mounting of latch<br>standard installation position | top              |

#### Materials and material properties

|                           |                       |
|---------------------------|-----------------------|
| Material - Housing        | GD-Zn (zinc die-cast) |
| Material - Contact        | CuSn (tin bronze)     |
| Material - Contact finish | Ni + Au (nickel-gold) |
| Halogen free              | yes                   |
| Material - Finish         | Ni (nickel)           |
| RoHS                      | compliant             |

#### Environmental conditions

|                             |  |
|-----------------------------|--|
| Temperature (min. - max.)   |  |
| Temperature - Storage °C    | -40 °C - 70 °C                                     |
| Temperature - Storage °F    | -40 °F - 158 °F                                    |
| Temperature - Operating °C  | -40 °C - 70 °C                                     |
| Temperature - Operating °F  | -40 °F - 158 °F                                    |
| Rapid change of temperature | -40°C / -40°F - +70°C / 158°F / 25 cycles t=30 min |

### Technical Data

#### Approvals

UL listed (file no.)



DUXR.E178484

#### Standards/Regulations

##### Generic cabling systems

|                               |                                  |
|-------------------------------|----------------------------------|
| General requirements          | ISO/IEC 11801-1   DIN EN 50173-1 |
| Office buildings              | ISO/IEC 11801-2   DIN EN 50173-2 |
| Industrial area               | ISO/IEC 11801-3   DIN EN 50173-3 |
| Living units                  | ISO/IEC 11801-4   DIN EN 50173-4 |
| Data centers                  | ISO/IEC 11801-5   DIN EN 50173-5 |
| Distributed building services | ISO/IEC 11801-6   DIN EN 50173-6 |

##### Connectors for electronic equipment

Free and fixed connectors DIN EN 60603-7-5

##### Connectors for electronic equipment - Tests and measurements

|   |                        |
|---|------------------------|
| Test standard for connectors (engaging and separating connectors under electrical load) | DIN-EN 60512-99-001    |
| Endurance tests   | IEC 60512-9-3: 03-2009 |

##### Emission proof

Climate tests IEC 60512-11

#### Classifications

|          |          |
|----------|----------|
| ETIM 5.0 | EC001134 |
| ETIM 6.0 | EC001134 |
| ETIM 7.0 | EC001134 |
| ETIM 8.0 | EC001134 |
| ETIM 9.0 | EC001134 |

#### Packing details

|                                 |                                    |
|---------------------------------|------------------------------------|
| Type of packaging               | 10 pc(s) / box                     |
| Packaging unit - Weight (gram)  | 390 g                              |
| Packaging unit - Weight (pound) | 0.86 lb                            |
| Packaging dimension             | 258 mm x 164 mm x 51 mm            |
| Packaging dimension             | 10.157 in. x 6.457 in. x 2.008 in. |

# P | Cabling

Data sheet

Page 5/7

## E-DAT modul coupler 8(8) 90° class E<sub>A</sub>

P/N  
1309A1-I

EAN 4250184106623

2023/04/05

Version: AO

### Accessories from

| P/N          | Designation  |
|--------------|--|
| 1309107003-E | REGplus IP20 E-DAT modul                               |
| 1309413003-E | E-DAT Industry IP67 V6 for MC module                   |
| 1309413103-E | E-DAT Industry IP67 V6 for keystone                    |
| 1309413203-E | E-DAT Industry IP67 V6 for MC module with mounting kit |
| 1309413303-E | E-DAT Industry IP67 V6 for keystone with mounting kit  |
| 1309426003-E | E-DAT modul REG 1 port IP20 light gray                 |
| 1309427103-E | Modul REGplus IP20 light gray unequipped               |
| 1309A07003-E | REGplus IP20 E-DAT modul coupler 180°                  |
| 1309A17003-E | REGplus IP20 E-DAT modul coupler 90°                   |
| 130B117003-E | REGplus IP20 C6 <sub>A</sub> modul 180°M               |
| 130B127003-E | REGplus IP20 C6 <sub>A</sub> modul 270°M               |

# P | Cabling

Data sheet

**E-DAT modul coupler 8(8) 90° class E<sub>A</sub>**

Page 6/7

P/N  
1309A1-I

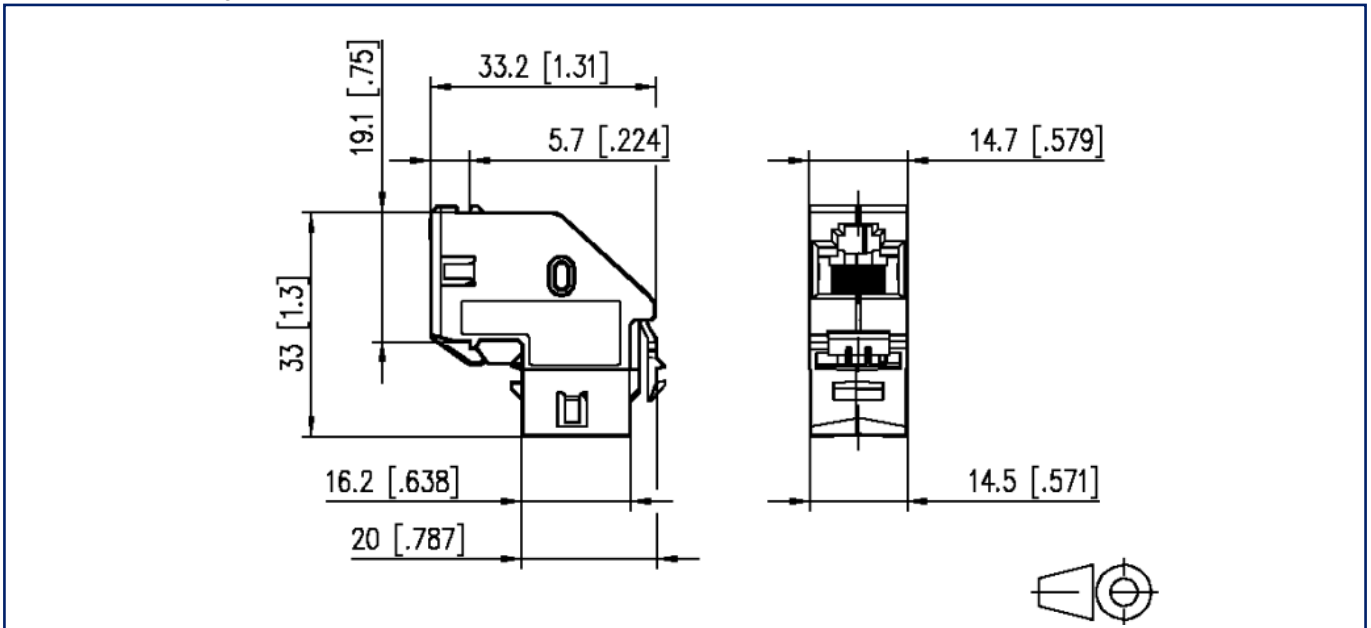
EAN 4250184106623

2023/04/05

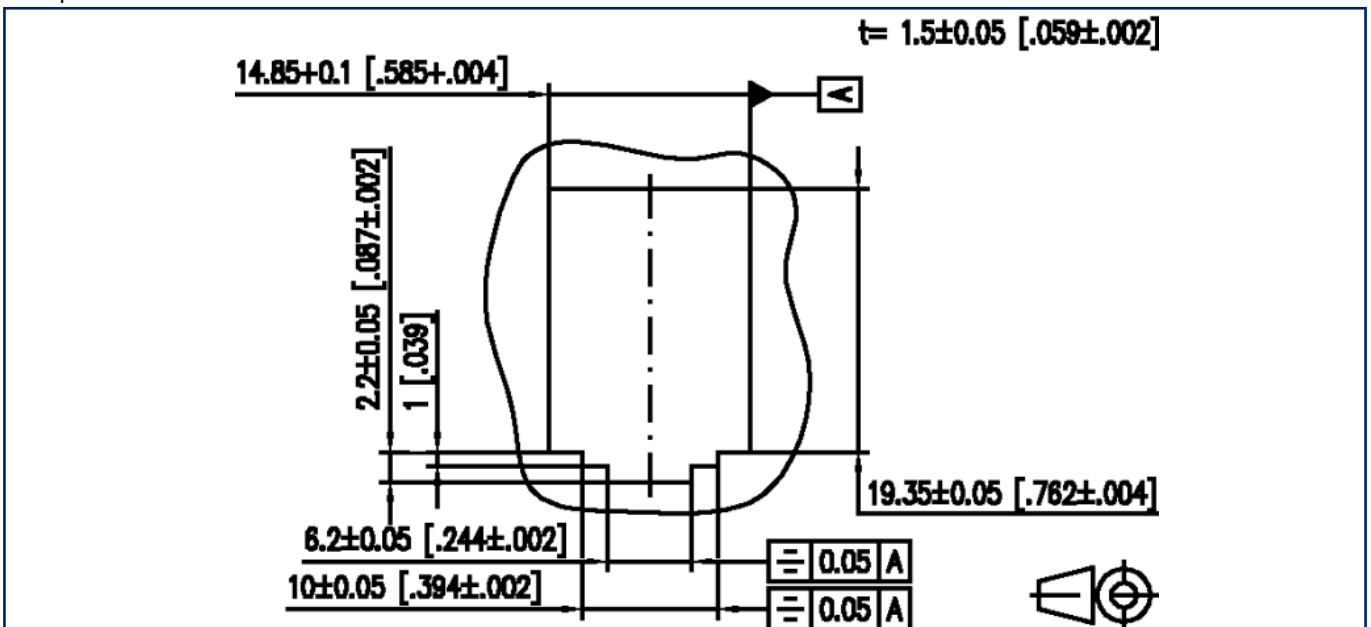
Version: AO

## Illustrations

Dimensional drawing



Drill pattern



# P | Cabling

Data sheet

Page 7/7

## E-DAT modul coupler 8(8) 90° class E<sub>A</sub>

P/N  
1309A1-I

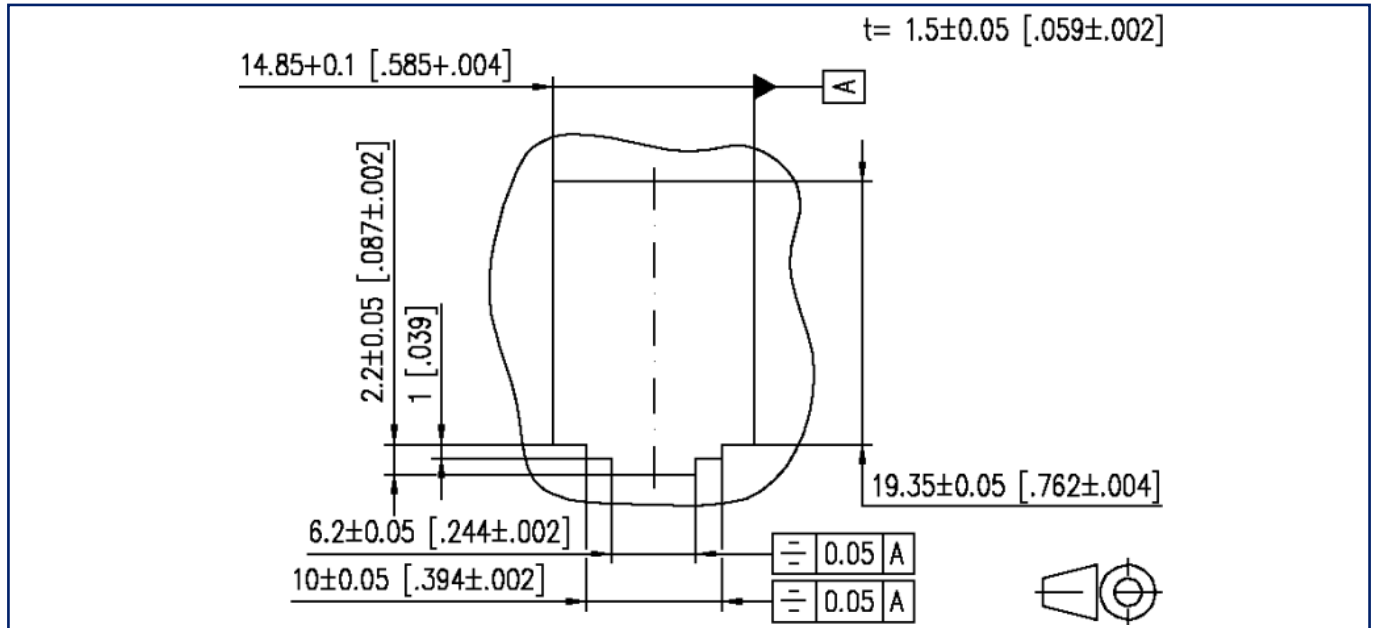
EAN 4250184106623

2023/04/05

Version: AO

### Illustrations

Cut-out



Cut-out

