

List of "SFW__R-1/2STGE5LF" customer document

| DOCUMENT NO. | LIST |
|------------------|--|
| 10092072(SHEET1) | DOCUMENT LIST |
| 10092072(SHEET2) | CAT.NO.TABLE FOR 1mm SPACING SMT CONNECTOR (SFW__R-1/2STG_LF) |
| 10092072(SHEET3) | 1mm SPACING SMT CONNECTOR (SFW__R-1STG_LF) |
| 10092072(SHEET4) | 1mm SPACING SMT CONNECTOR (SFW__R-2STG_LF) |
| 10092072(SHEET5) | CAT.NO.TABLE FOR PLASTIC TAPE PACKAGED 1mm SPACING SMT CONNECTOR (SFW__R-1/2STGE5LF) |
| 10092072(SHEET6) | PLASTIC TAPE PACKAGED 1mm SPACING SMT CONNECTOR (SFW__R-1STGE5LF) |
| 10092072(SHEET7) | PLASTIC TAPE PACKAGED 1mm SPACING SMT CONNECTOR (SFW__R-2STGE5LF) |
| 10092072(SHEET8) | RECOMMENDED CABLE (FPC) (SFW__R-1/2STG_) |
| SC-SFW14 | PRODUCT SPECIFICATION |
| GS-20-129 | HANDLING PROCEDURES |

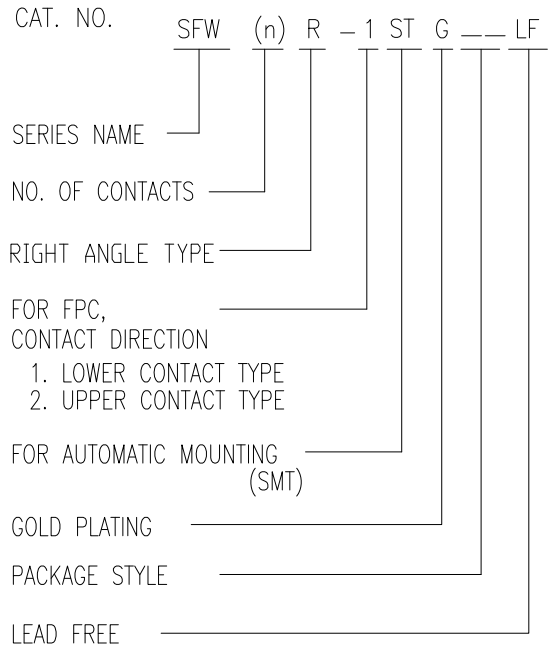


© 2016 AFCl

| | | | | | | | | | | | | | | |
|-------------|----------------|------|------------|---------------------------------------|------------|------------------|---|------------|---|---|--|--------------|------|--|
| mat'l. code | | | | surface | | tolerance | | projection | | product family | | | | |
| - | | | | ISO 1302 | | ISO 406 ISO 1101 | | | | 58RF | | | | |
| ltr | ecn no | dr | date | tolerances unless otherwise specified | | | | | | title | | | | |
| A | S08-0277 | DGOH | 2008-8-25 | angles | | | | | | 1mm SPACING FPC/FFC CONNECTOR DOCUMENT LIST | | | | |
| B | S09-0180 | DGOH | 2009-5-28 | linear | | | | | | (Cat. No. : SFW__R-1/2STGE5LF) | | | | |
| C | J09-0380 | M.Y | 2009-10-27 | | | | | | | scale N/A | | | | |
| D | ELX-J-32971 | S.W | 2019-3-20 | dr | S.WATANABE | 2019-3-20 | | | | dwg no | | sheet 1 of 8 | size | |
| | | | | enr | S.WATANABE | 2019-3-20 | | | | 10092072 | | A4 | | |
| | | | | chr | S-H.THIO | 2019-3-20 | | | | | | | | |
| | | | | appd | Y.KAMEDA | 2019-3-20 | | | | type Product Customer Drawing | | | | |
| sheet index | revision sheet | D | D | D | D | D | D | D | D | | | | | |
| | | 1 | 2 | 3 | 4 | 5 | 6 | 7 | 8 | | | | | |

CAT. NO. & DIMENSIONS

| NO. OF CONTACTS (n) | CAT. NO. | DIMENSIONS (NOTE2) | | | |
|---------------------|-------------------|--------------------|---------|---------|---------|
| | | A ± 0.2 | B ± 0.2 | C ± 0.2 | D ± 0.1 |
| 4 | SFW4R-1/2STG__LF | 9.8 | 8.6 | 3.0 | 5.3 |
| 5 | SFW5R-1/2STG__LF | 10.8 | 9.6 | 4.0 | 6.3 |
| 6 | SFW6R-1/2STG__LF | 11.8 | 10.6 | 5.0 | 7.3 |
| 7 | SFW7R-1/2STG__LF | 12.8 | 11.6 | 6.0 | 8.3 |
| 8 | SFW8R-1/2STG__LF | 13.8 | 12.6 | 7.0 | 9.3 |
| 9 | SFW9R-1/2STG__LF | 14.8 | 13.6 | 8.0 | 10.3 |
| 10 | SFW10R-1/2STG__LF | 15.8 | 14.6 | 9.0 | 11.3 |
| 11 | SFW11R-1/2STG__LF | 16.8 | 15.6 | 10.0 | 12.3 |
| 12 | SFW12R-1/2STG__LF | 17.8 | 16.6 | 11.0 | 13.3 |
| 13 | SFW13R-1/2STG__LF | 18.8 | 17.6 | 12.0 | 14.3 |
| 14 | SFW14R-1/2STG__LF | 19.8 | 18.6 | 13.0 | 15.3 |
| 15 | SFW15R-1/2STG__LF | 20.8 | 19.6 | 14.0 | 16.3 |
| 16 | SFW16R-1/2STG__LF | 21.8 | 20.6 | 15.0 | 17.3 |
| 17 | SFW17R-1/2STG__LF | 22.8 | 21.6 | 16.0 | 18.3 |
| 18 | SFW18R-1/2STG__LF | 23.8 | 22.6 | 17.0 | 19.3 |
| 19 | SFW19R-1/2STG__LF | 24.8 | 23.6 | 18.0 | 20.3 |
| 20 | SFW20R-1/2STG__LF | 25.8 | 24.6 | 19.0 | 21.3 |
| 21 | SFW21R-1/2STG__LF | 26.8 | 25.6 | 20.0 | 22.3 |
| 22 | SFW22R-1/2STG__LF | 27.8 | 26.6 | 21.0 | 23.3 |
| 23 | SFW23R-1/2STG__LF | 28.8 | 27.6 | 22.0 | 24.3 |
| 24 | SFW24R-1/2STG__LF | 29.8 | 28.6 | 23.0 | 25.3 |
| 25 | SFW25R-1/2STG__LF | 30.8 | 29.6 | 24.0 | 26.3 |
| 26 | SFW26R-1/2STG__LF | 31.8 | 30.6 | 25.0 | 27.3 |
| 27 | SFW27R-1/2STG__LF | 32.8 | 31.6 | 26.0 | 28.3 |
| 28 | SFW28R-1/2STG__LF | 33.8 | 32.6 | 27.0 | 29.3 |
| 29 | SFW29R-1/2STG__LF | 34.8 | 33.6 | 28.0 | 30.3 |
| 30 | SFW30R-1/2STG__LF | 35.8 | 34.6 | 29.0 | 31.3 |



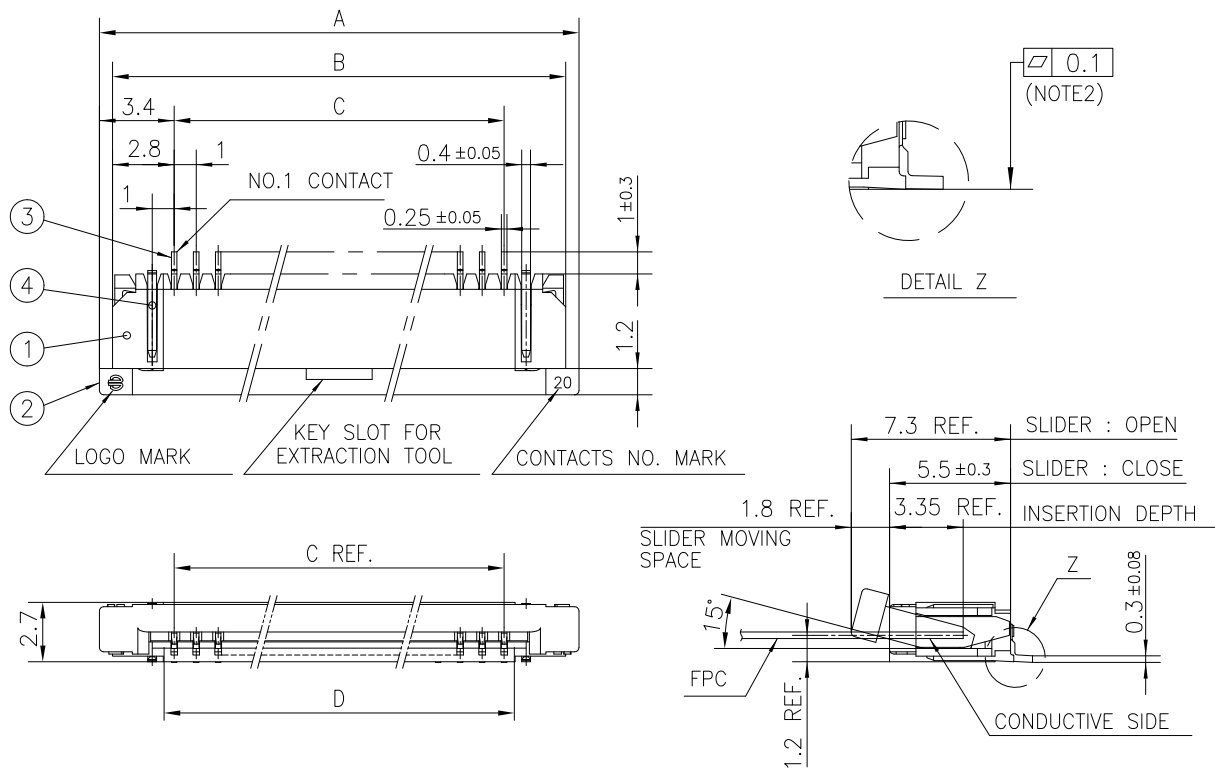
NOTES

1. THIS PRODUCT IS THE CONNECTOR USED FOR FPC AND COPEs WITH AUTOMATIC MOUNTING (SMT).
2. SEE PART DRAWINGS FOR DIMENSIONS A~D.

Amphenol FCI

© 2016 AFCl

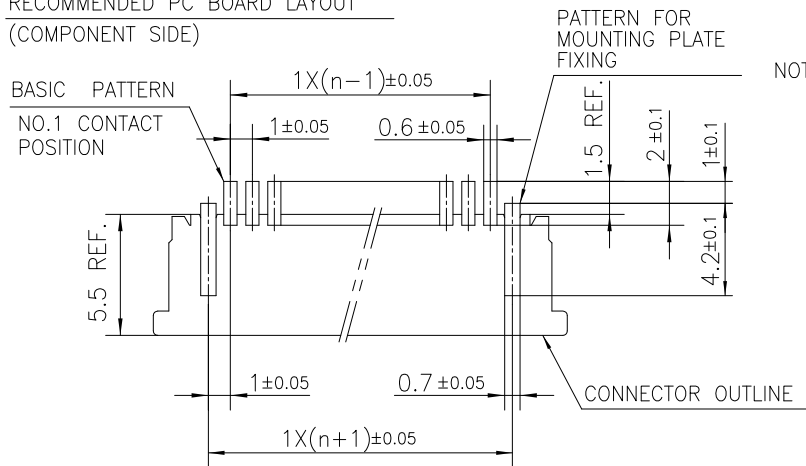
| | | | | | | | | | |
|-------------|----------------|--|------|---------------------------------------|------------|------------|--------------|---|--|
| mat'l. code | | surface ISO 1302 <input checked="" type="checkbox"/> | | tolerance ISO 406 ISO 1101 | | projection | | product family 58RF | |
| ltr | ecn no | dr | date | tolerances unless otherwise specified | | MM | | title | |
| D | | | | angles | linear | scale N/A | | CAT. NO. TABLE FOR 1mm SPACING SMT CONNECTOR (Cat. No. : SFW__R-1/2STG__LF) | |
| | | | | dr | S.WATANABE | 2019-3-20 | Amphenol FCI | dwg no sheet 2 of 8 size | |
| | | | | enr | S.WATANABE | 2019-3-20 | | 10092072 A4 | |
| | | | | chr | S-H.THIO | 2019-3-20 | | | |
| | | | | appd | Y.KAMEDA | 2019-3-20 | | | |
| sheet index | revision sheet | | | | | | | type Product Customer Drawing | |



| PT. NO. | PARTS NAME | MATERIAL | Q'TY | NOTE |
|---------|----------------|---|------|----------------|
| 1 | HOUSING | PPS RESIN GLASS REINFORCED (UL94V-0) | 1 | COLOR : BROWN |
| 2 | SLIDER | | 1 | COLOR : BLACK |
| 3 | CONTACT | PHOSPHOR BRONZE | n | PLATING : GOLD |
| 4 | MOUNTING PLATE | | 2 | PLATING : TIN |

n : NO. OF CONTACTS

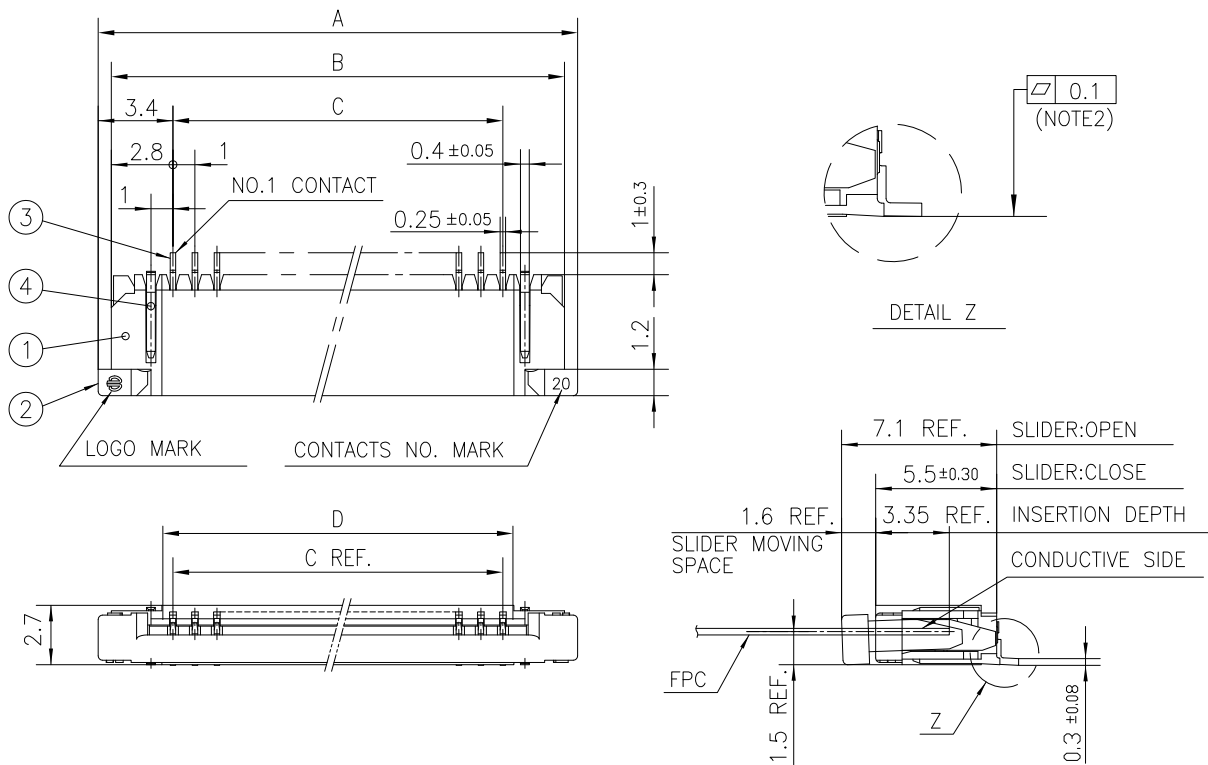
RECOMMENDED PC BOARD LAYOUT
(COMPONENT SIDE)



NOTES

1. THIS PRODUCT IS THE CONNECTOR USED FOR FPC AND COPES WITH AUTOMATIC MOUNTING (SMT).
2. FLATNESS FOR CONTACT TERMINAL HOUSING MUST BE WITHIN TOLERANCE IN Z PORTION DETAILED DRAWING.
3. THIS PRODUCT IS LOWER CONTACT TYPE CONNECTOR.
4. THIS PRODUCT MEETS EUROPEAN UNION DIRECTIVES AND OTHER COUNTRY REGULATIONS AS DESCRIBED IN GS-22-008.
5. THE HOUSING WILL WITHSTAND EXPOSURE TO 260°C PEAK TEMPERATURE FOR 10 SECONDS IN A REFLOW SOLDERING OVEN.

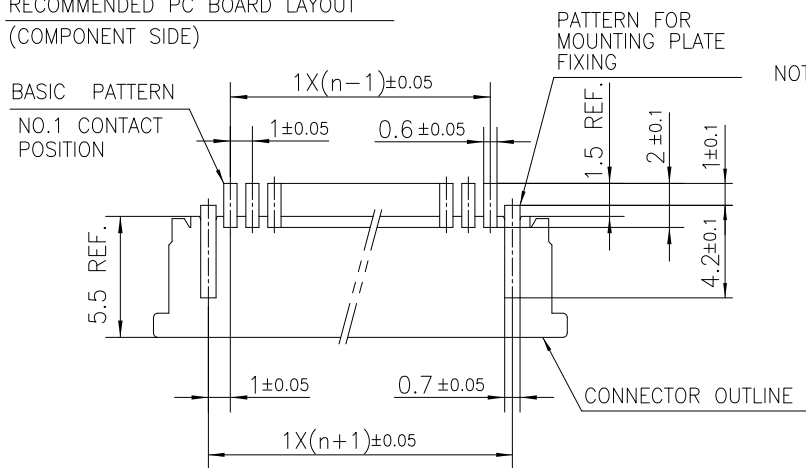
| | | | | | | | | | | | |
|-------------|--------|------------------|------|---------------------------------------|--|--------------|--|---|--|--|--|
| mat'l. code | | surface ISO 1302 | | tolerance ISO 406 ISO 1101 | | projection | | product family | | | |
| - | | ✓ | | | | ⊕ | | 58RF | | | |
| ltr | ecn no | dr | date | tolerances unless otherwise specified | | | | title | | | |
| D | | | | angles linear ±0.2 | | | | 1mm SPACING SMT CONNECTOR (Cat. No. SFW__R-1STG__LF) | | | |
| | | | | | | MM | | | | | |
| | | | | | | scale | | dwg no sheet 3 of 8 size | | | |
| | | | | | | Amphenol FCI | | 10092072 A4 | | | |
| | | | | | | | | type Product Customer Drawing | | | |
| sheet index | | revision sheet | | | | | | | | | |



| PT. NO. | PARTS NAME | MATERIAL | Q'TY | NOTE |
|---------|----------------|----------------------|------|----------------|
| 1 | HOUSING | REINFORCED (UL94V-0) | 1 | COLOR : BROWN |
| 2 | SLIDER | | 1 | COLOR : BLACK |
| 3 | CONTACT | PHOSPHOR BRONZE | n | PLATING : GOLD |
| 4 | MOUNTING PLATE | | 2 | PLATING : TIN |

n : NO. OF CONTACTS

RECOMMENDED PC BOARD LAYOUT
(COMPONENT SIDE)



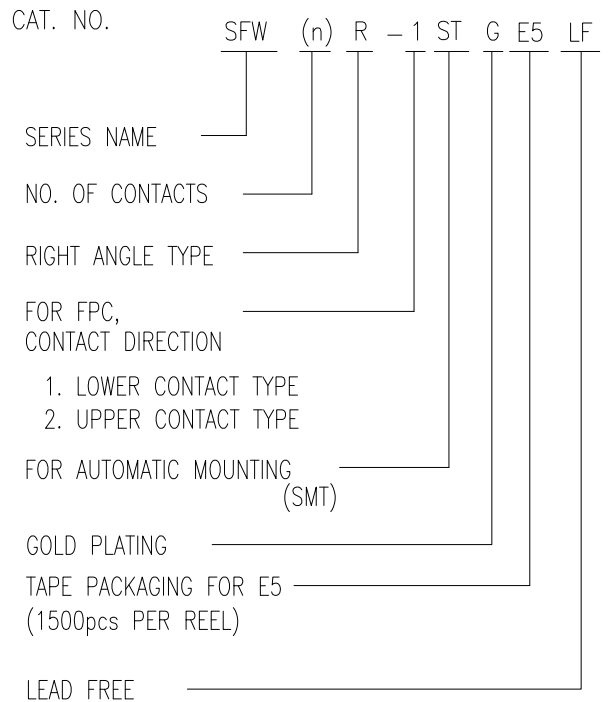
NOTES

1. THIS PRODUCT IS THE CONNECTOR USED FOR FPC AND COPES WITH AUTOMATIC MOUNTING (SMT).
2. FLATNESS FOR CONTACT TERMINAL HOUSING MUST BE WITHIN TOLERANCE IN Z PORTION DETAILED DRAWING.
3. THIS PRODUCT IS UPPER CONTACT TYPE CONNECTOR.
4. THIS PRODUCT MEETS EUROPEAN UNION DIRECTIVES AND OTHER COUNTRY REGULATIONS AS DESCRIBED IN GS-22-008.
5. THE HOUSING WILL WITHSTAND EXPOSURE TO 260°C PEAK TEMPERATURE FOR 10 SECONDS IN A REFLOW SOLDERING OVEN.

| | | | | | | | | | |
|-------------|--|------------------|--|----------------------------|--|------------|--|---|--|
| mat'l. code | | surface ISO 1302 | | tolerance ISO 406 ISO 1101 | | projection | | product family | |
| ltr | | ecn no | | dr | | date | | 58RF | |
| D | | | | | | | | title | |
| | | | | | | | | 1mm SPACING SMT CONNECTOR (Cat. No. SFW__R-2STG__LF) | |
| | | | | angles linear | | ±0.2 | | MM | |
| | | | | dr | | S.WATANABE | | 2019-3-20 | |
| | | | | enr | | S.WATANABE | | 2019-3-20 | |
| | | | | chr | | S-H.THIO | | 2019-3-20 | |
| | | | | appd | | Y.KAMEDA | | 2019-3-20 | |
| sheet index | | revision sheet | | | | | | dwg no | |
| | | | | | | | | sheet 4 of 8 | |
| | | | | | | | | size | |
| | | | | | | | | A4 | |
| | | | | | | | | type | |
| | | | | | | | | Product Customer Drawing | |

CAT. NO. & DIMENSIONS

| NO. OF CONTACTS (n) | CAT. NO. (NOTE2) | DIMENSIONS (NOTE3) | | |
|---------------------|-------------------|--------------------|---------|---------|
| | | E MAX. | F ± 0.3 | G ± 0.1 |
| 4 | SFW4R-1/2STGE5LF | 22.4 | 16 | — |
| 5 | SFW5R-1/2STGE5LF | 30.4 | 24 | — |
| 6 | SFW6R-1/2STGE5LF | 30.4 | 24 | — |
| 7 | SFW7R-1/2STGE5LF | 30.4 | 24 | — |
| 8 | SFW8R-1/2STGE5LF | 30.4 | 24 | — |
| 9 | SFW9R-1/2STGE5LF | 30.4 | 24 | — |
| 10 | SFW10R-1/2STGE5LF | 30.4 | 24 | — |
| 11 | SFW11R-1/2STGE5LF | 30.4 | 24 | — |
| 12 | SFW12R-1/2STGE5LF | 30.4 | 24 | — |
| 13 | SFW13R-1/2STGE5LF | 38.4 | 32 | 28.4 |
| 14 | SFW14R-1/2STGE5LF | 38.4 | 32 | 28.4 |
| 15 | SFW15R-1/2STGE5LF | 38.4 | 32 | 28.4 |
| 16 | SFW16R-1/2STGE5LF | 38.4 | 32 | 28.4 |
| 17 | SFW17R-1/2STGE5LF | 50.4 | 44 | 40.4 |
| 18 | SFW18R-1/2STGE5LF | 50.4 | 44 | 40.4 |
| 19 | SFW19R-1/2STGE5LF | 50.4 | 44 | 40.4 |
| 20 | SFW20R-1/2STGE5LF | 50.4 | 44 | 40.4 |
| 21 | SFW21R-1/2STGE5LF | 50.4 | 44 | 40.4 |
| 22 | SFW22R-1/2STGE5LF | 50.4 | 44 | 40.4 |
| 23 | SFW23R-1/2STGE5LF | 50.4 | 44 | 40.4 |
| 24 | SFW24R-1/2STGE5LF | 50.4 | 44 | 40.4 |
| 25 | SFW25R-1/2STGE5LF | 50.4 | 44 | 40.4 |
| 26 | SFW26R-1/2STGE5LF | 50.4 | 44 | 40.4 |
| 27 | SFW27R-1/2STGE5LF | 50.4 | 44 | 40.4 |
| 28 | SFW28R-1/2STGE5LF | 62.4 | 56 | 52.4 |
| 29 | SFW29R-1/2STGE5LF | 62.4 | 56 | 52.4 |
| 30 | SFW30R-1/2STGE5LF | 62.4 | 56 | 52.4 |



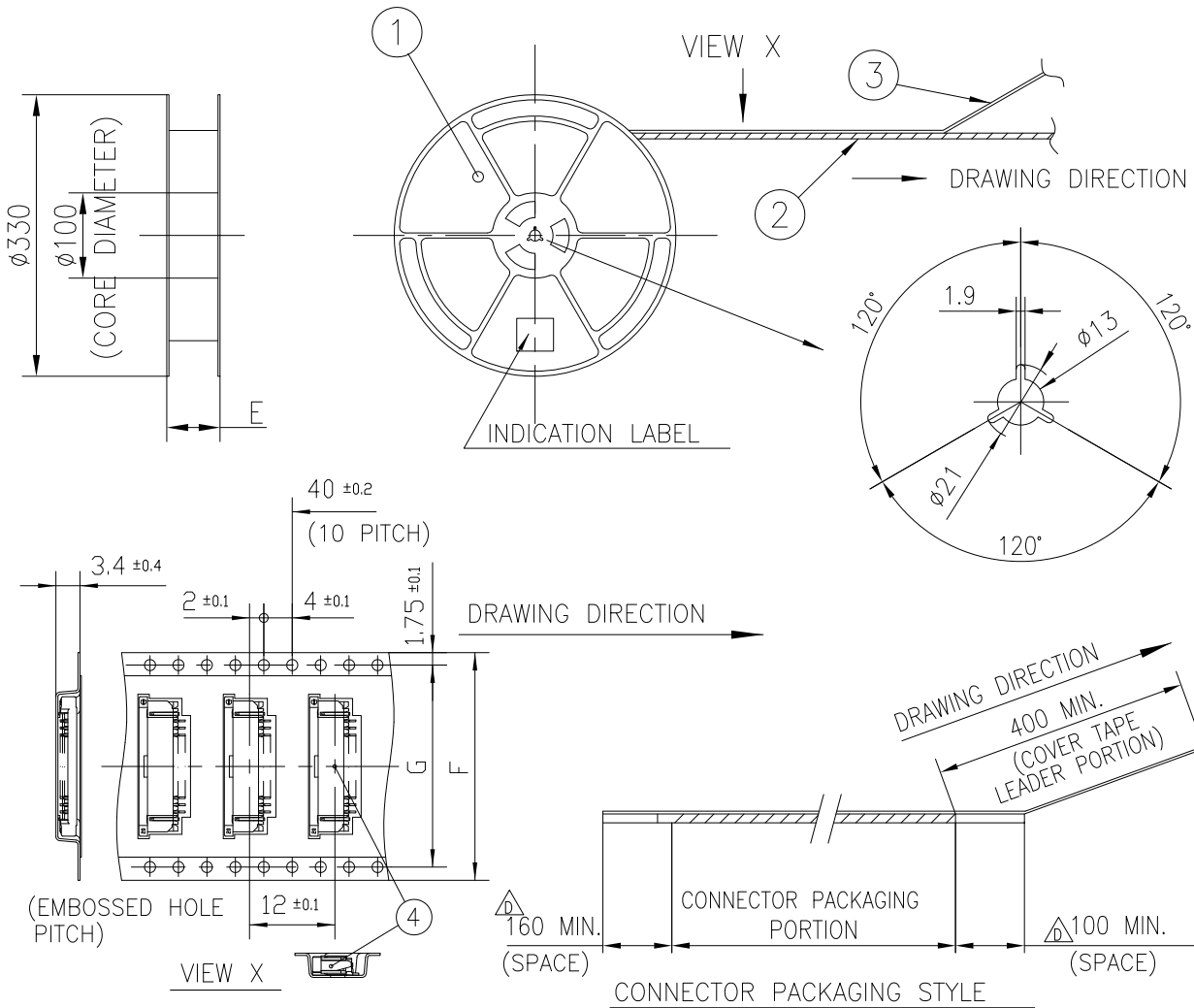
NOTES

1. THIS PRODUCT IS THE CONNECTOR USED FOR FPC AND COPES WITH AUTOMATIC MOUNTING (SMT).
2. THIS CATALOG NO. INDICATES PLASTIC TAPE PACKAGED CONNECTOR.
3. SEE PART DRAWINGS FOR DIMENSIONS E~G.

Amphenol FCI

© 2016 AFCl

| | | | | | | | | | |
|-------------|----------------|--|------|---------------------------------------|------------|------------|--------------|---|--|
| mat'l. code | | surface ISO 1302 <input checked="" type="checkbox"/> | | tolerance ISO 406 ISO 1101 | | projection | | product family 58RF | |
| ltr | ecn no | dr | date | tolerances unless otherwise specified | | MM | | title | |
| D | | | | angles | linear | scale N/A | | CAT. NO. TABLE FOR PLASTIC TAPE PACKAGED 1mm SPACING SMT CONNECTOR (Cat. No. SFW__R-1/2STGE5LF) | |
| | | | | dr | S.WATANABE | 2019-3-20 | Amphenol FCI | dwg no sheet 5 of 8 size | |
| | | | | enr | S.WATANABE | 2019-3-20 | | 10092072 A4 | |
| | | | | chr | S-H.THIO | 2019-3-20 | | | |
| | | | | appd | Y.KAMEDA | 2019-3-20 | | type Product Customer Drawing | |
| sheet index | revision sheet | | | | | | | | |

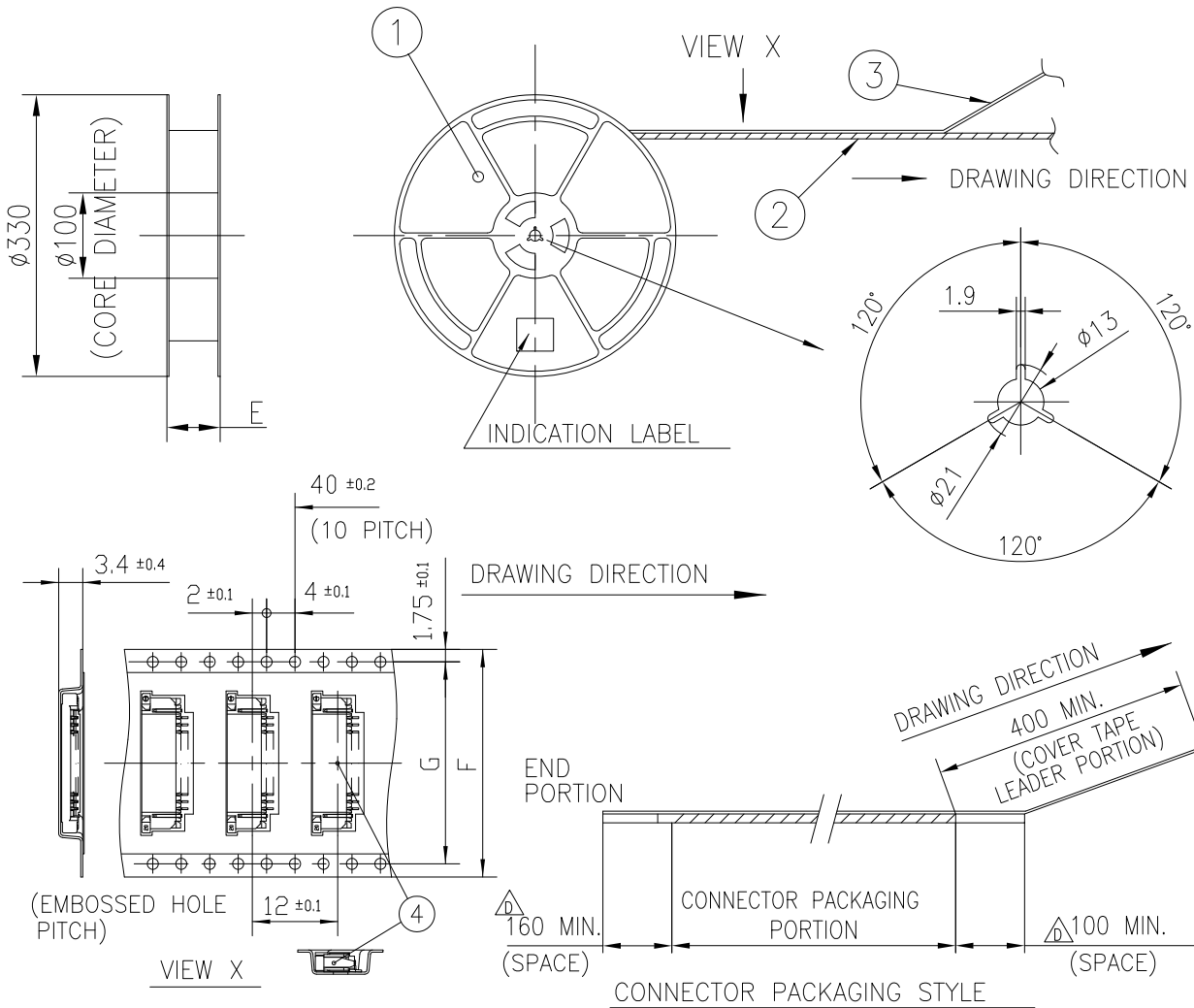


| PT. NO. | PARTS NAME | CAT. NO. | MATERIAL | Q'TY | NOTE |
|---------|-----------------------|-----------------|--------------------------|-------|------------------------|
| 1 | REEL | _____ | POLYSTYRENE | 1 | COLOR : WHITE or Black |
| 2 | PLASTIC (EMBOSS) TAPE | _____ | △ PS or A-PET | _____ | COLOR : TRANSPARENCY |
| 3 | COVER | _____ | △ POLYESTER,POLYETHYLENE | _____ | COLOR : TRANSPARENCY |
| 4 | CONNECTOR | SFW__R-1STG__LF | SEE SHEET 3 | 1500 | LOWER CONTACT TYPE |

NOTES

1. THIS IS PLASTIC TAPE PACKAGED CONNECTOR USED FOR FPC AND COPES WITH AUTOMATIC MOUNTING (SMT).
2. SEE JIS C 0806 (PACKING OF ELECTRONIC COMPONENTS ON CONTINUOUS TAPES (SURFACE MOUNTING DEVICES)) FOR SHAPE AND DIMENSIONS OF PLASTIC (EMBOSS) TAPE AND REEL.
3. E DIMENSION IS PORTION OF THE CORE.

| | | | | | | | | | |
|-------------|----------------|------------------|------|---------------------------------------|------------|------------|-----------------|--|--|
| mat'l. code | | surface ISO 1302 | | tolerance ISO 406 ISO 1101 | | projection | | product family 58RF | |
| ltr | ecn no | dr | date | tolerances unless otherwise specified | | MM | | title | |
| D | | | | angles | linear | scale N/A | | PLASTIC TAPE PACKAGED 1mm SPACING SMT CONNECTOR (Cat. No. SFW__R-1STGE5LF) | |
| | | | | dr | S.WATANABE | 2019-3-20 | Amphenol FCi | dwg no sheet 6 of 8 size | |
| | | | | enr | S.WATANABE | 2019-3-20 | | 10092072 A4 | |
| | | | | chr | S-H.THIO | 2019-3-20 | | | |
| | | | | appd | Y.KAMEDA | 2019-3-20 | | type Product Customer Drawing | |
| sheet index | revision sheet | | | | | | | | |



| PT. NO. | PARTS NAME | CAT. NO. | MATERIAL | Q'TY | NOTE |
|---------|-----------------------|-----------------|--------------------------|-------|------------------------|
| 1 | REEL | _____ | POLYSTYRENE | 1 | COLOR : WHITE or Black |
| 2 | PLASTIC (EMBOSS) TAPE | _____ | △ PS or A-PET | _____ | COLOR : TRANSPARENCY |
| 3 | COVER | _____ | △ POLYESTER,POLYETHYLENE | _____ | COLOR : TRANSPARENCY |
| 4 | CONNECTOR | SFW__R-2STG__LF | SEE SHEET4 | 1500 | UPPER CONTACT TYPE |

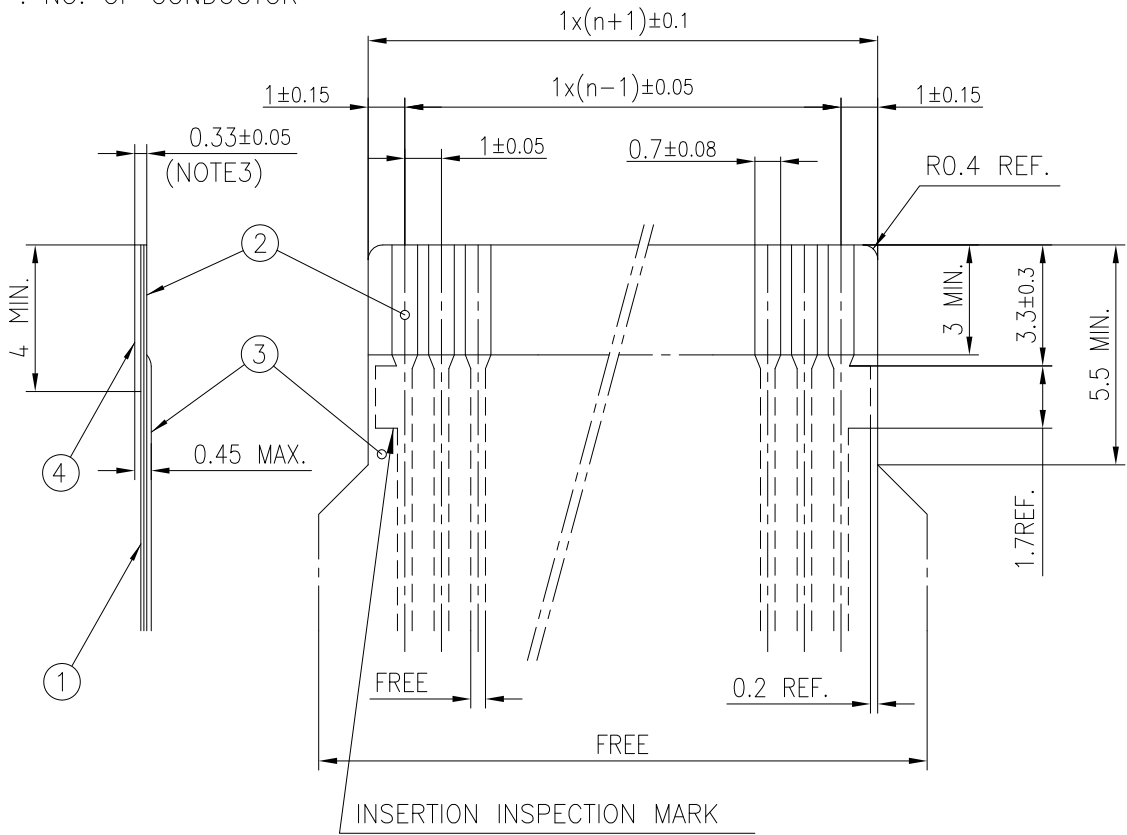
NOTES

- THIS IS PLASTIC TAPE PACKAGED CONNECTOR USED FOR FPC AND COPES WITH AUTOMATIC MOUNTING (SMT).
- SEE JIS C 0806 (PACKING OF ELECTRONIC COMPONENTS ON CONTINUOUS TAPES (SURFACE MOUNTING DEVICES)) FOR SHAPE AND DIMENSIONS OF PLASTIC (EMBOSS) TAPE AND REEL.
- E DIMENSION IS PORTION OF THE CORE.

| | | | | | | | | | | |
|-------------|--------|--|------|----------------------------|-----------|---------------------------------------|--|--|--|----|
| mat'l. code | | surface ISO 1302 <input checked="" type="checkbox"/> | | tolerance ISO 406 ISO 1101 | | projection | | product family 58RF | | |
| ltr | ecn no | dr | date | | | tolerances unless otherwise specified | | title | | |
| D | | | | | | angles linear ±5 | | PLASTIC TAPE PACKAGED 1mm SPACING SMT CONNECTOR (Cat. No. SFW__R-2STGE5LF) | | |
| | | | | | | MM | | scale N/A | | |
| | | | dr | S.WATANABE | 2019-3-20 | Amphenol FCi | | dwg no sheet 7 of 8 size | | |
| | | | enr | S.WATANABE | 2019-3-20 | | | 10092072 | | A4 |
| | | | chr | S-H.THIO | 2019-3-20 | | | | | |
| | | | appd | Y.KAMEDA | 2019-3-20 | | | | | |
| sheet index | | revision sheet | | | | | | type Product Customer Drawing | | |

RECOMMENDED CABLE (FPC)

n : NO. OF CONDUCTOR



| PT. NO. | PARTS NAME | MATERIAL | THICKNESS (um) |
|---------|-----------------|---|----------------|
| 1 | BASE FILM | POLYIMIDE OR POLYESTER OR EQUAL | 25 |
| 2 | CONDUCTOR | COPPER FOIL (PLATING : Ni UNDER PLATING GOLD 0.5um MIN.) | 35 |
| 3 | OVERLAY | POLYIMIDE OR POLYESTER OR EQUAL | — |
| 4 | SUPPORTING TAPE | POLYESTER OR POLYIMIDE OR EQUAL | 188 |

- NOTES
1. NO BURR AT EACH PORTION.
 2. NO PEELING IN COMMON USE.
 3. TOTAL THICKNESS LIMIT OF EACH MATERIAL (INCLUDING ADHESIVE AGENT) IS SPECIFIED.

| | | | | | | | | | | |
|-------------|--------|----------------|------------|---------------------------------------|--|------------|----------|-------------------------------|--------------|------|
| mat'l. code | | surface | | tolerance | | projection | | product family | | |
| - | | ISO 1302 | | ISO 406 ISO 1101 | | | | 58RF | | |
| ltr | ecn no | dr | date | tolerances unless otherwise specified | | | | title | | |
| D | | | | angles | | MM | | RECOMMENDED CABLE | | |
| | | | | linear | | scale N/A | | (Cat. No. SFW__R-1/2STG_) | | |
| | | dr | S.WATANABE | 2019-3-20 | | | dwg no | | sheet 8 of 8 | size |
| | | enr | S.WATANABE | 2019-3-20 | | | 10092072 | | A4 | |
| | | chr | S-H.THIO | 2019-3-20 | | | | | | |
| | | appd | Y.KAMEDA | 2019-3-20 | | | | | | |
| sheet index | | revision sheet | | | | | | type Product Customer Drawing | | |