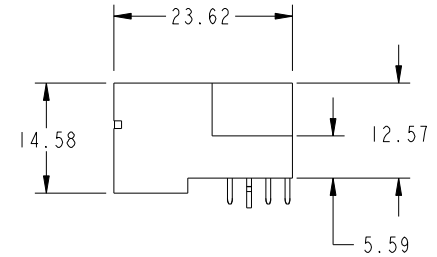
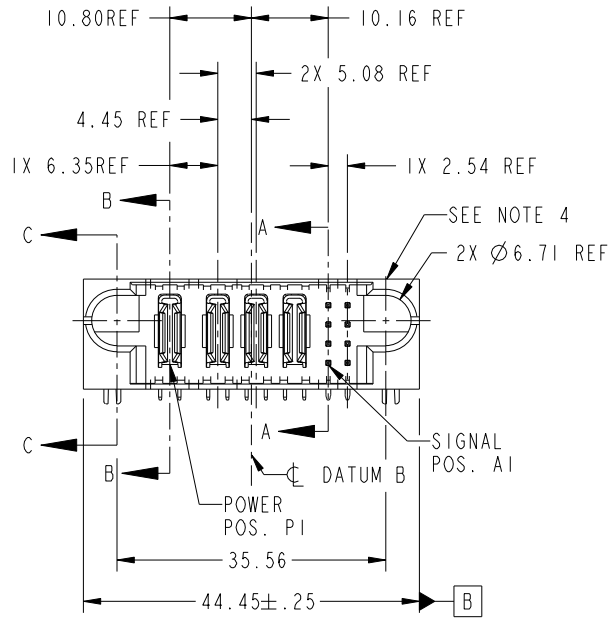


Tous droits strictement réservés. Reproduction ou communication a des tiers interdite sous quelque forme que ce soit sans autorisation écrite du propriétaire. Propriété de c.FCI. Droits de reproduction FCI.

All rights strictly reserved. Reproduction or issue to third parties in any form whatever is not permitted without written authority from the proprietor. Property of FCI. Copyright FCI.



PRODUCT NO.	ROWS	POWER SIGNAL									
		E1	P1	P2	P3	P4	1	2	E2		
51939-258-- NOTE 3	D C B A										



CODE	DIM "M" MATING LENGTH	CONTACT TYPE
H	[5.59]	SIGNAL
G	[5.59]	SIGNAL
F	[5.59]	SIGNAL
E	[5.59]	SIGNAL
PA	[N/A]	POWER
HA	[N/A]	HOLD-DOWN

mat'l code				SEE NOTE		tolerances unless otherwise specified		CUSTOMER		 www.fciconnect.com	
ltr	ecn no.	dr	date	linear	0.X ± 0.3	COPY		projection		title	
A	DG06-0430	JULIA	10/20/06	angles	0.XX ± 0.13	MM				4P + 8S RIGHT ANGLE SOLDER HEADER	
				dr	0.XXX ± 0.051	enr		product family		code	
				enr	0° ± 2°	JULIA WANG		PwrBlade		213	
				chr		RYAN YUAN		size		sheet	
				appd		BEER FU		dwg no		1 of 4	
						JOSEPH HSIA		A		51939-258	
sheet index	revision sheet	A	A	A	A	scale		1:1		cage code	
		1	2	3	4					2256	

A

A

B

B

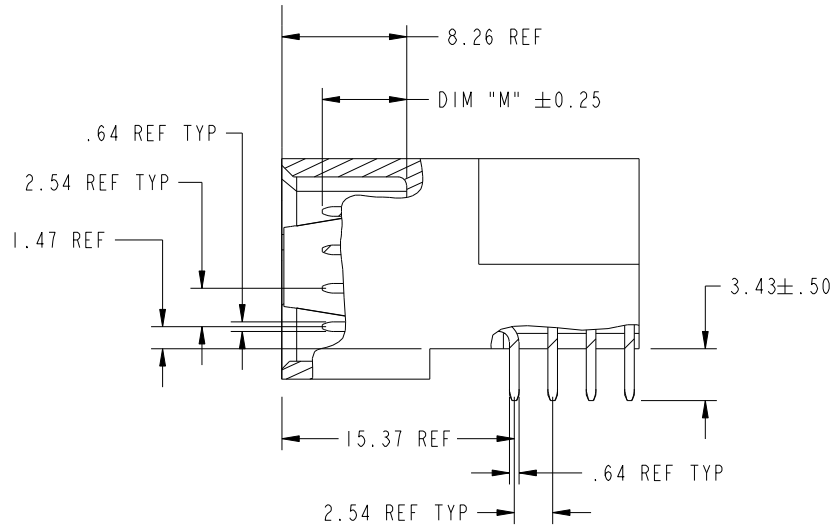
Tous droits strictement réservés. Reproduction ou communication a des tiers interdite sous quelque forme que ce soit sans autorisation écrite du propriétaire. Propriété de c.FCI. Droits de reproduction FCI.

All rights strictly reserved. Reproduction or issue to third parties in any form whatever is not permitted without written authority from the proprietor. Property of FCI. Copyright FCI.

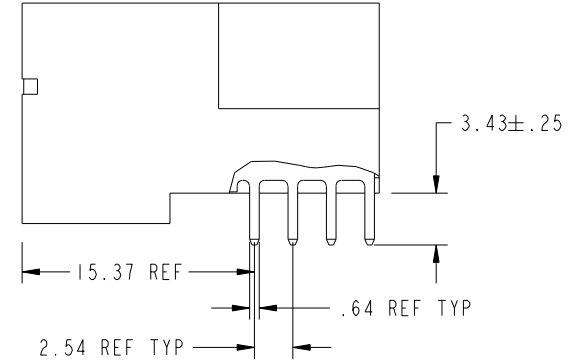


PRODUCT NUMBER

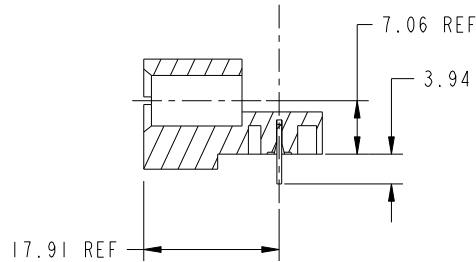
51939-258\_\_  
NOTE: 3



BROKEN-OUT SECTION A-A  
SCALE 2:1



BROKEN-OUT SECTION B-B  
SCALE 2:1



SECTION C-C

mat'l code				SEE NOTE		tolerances unless otherwise specified		CUSTOMER		 www.fciconnect.com	
lfr	ecn no.	dr	date	linear	0.X ±0.3		COPY		title 4P + 8S RIGHT ANGLE SOLDER HEADER		
A					0.XX ±0.13		projection				
					0.XXX ±0.051						
				angles	0° ±2°		 MM		product family		code
				dr	JULIA WANG	10/20/06	 1:1		PwrBlade		213
				engr	RYAN YUAN	10/20/06	size		dwg no		sheet
				chr	BEER FU	10/20/06	A		51939-258		2 of 4
				appd	JOSEPH HSIA	10/20/06					
sheet index	revision sheet										

A

A

B

B

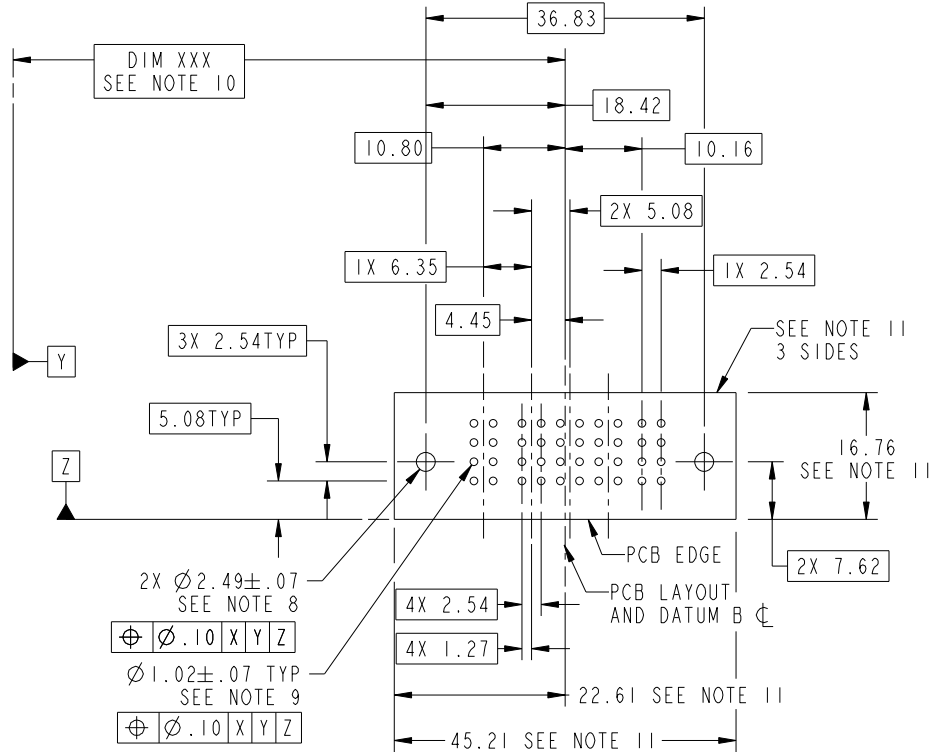
Tous droits strictement reserves. Reproduction ou communication a des tiers interdite sous quelque forme que ce soit sans autorisation ecrite du proprietaire. Propriete de c FCI. Droits de reproduction FCI.

All rights strictly reserved. Reproduction or issue to third parties in any form whatever is not permitted without written authority from the proprietor. Property of FCI. Copyright FCI.



PRODUCT NUMBER

51939-258\_\_  
NOTE: 3



RECOMMENDED PCB LAYOUT

mat'l code		SEE NOTE		tolerances unless otherwise specified		CUSTOMER		 www.fciconnect.com	
lir	ecn no.	dr	date	linear	0.X ±0.3	COPY		title	
A				angles	0.XX ±0.13	projection		4P + 8S	
					0.XXX ±0.051			RIGHT ANGLE SOLDER HEADER	
				dr	0° ±2°	MM		product family	
				enrg	JULIA WANG 10/20/06	scale		PwrBlade	
				chr	RYAN YUAN 10/20/06	1:1		code	
				appd	BEER FU 10/20/06			213	
					JOSEPH HSIA 10/20/06			sheet	
sheet index	revision sheet							3 of 4	
								A 51939-258	

cage code 22506

Tous droits strictement reserves. Reproduction ou communication a des tiers interdite sous quelque forme que ce soit sans autorisation ecrite du proprietaire. Propriete de c.FCI. Droits de reproduction FCI.

All rights strictly reserved. Reproduction or issue to third parties in any form whatever is not permitted without written authority from the proprietor. Property of FCI. Copyright FCI.



1 | 2

3

4

PRODUCT NUMBER

51939-258\_\_  
NOTE: 3

NOTES:

1. DIMENSIONS AND TOLERANCES ARE IN ACCORDANCE WITH ASME Y14.5M, 1994 UNLESS OTHERWISE SPECIFIED.

CONNECTOR NOTES:

- 2. HOUSING MATERIAL: UL 94 V-0 GLASS FILLED HIGH-TEMP THERMOPLASTIC  
POWER CONTACT MATERIAL: COPPER ALLOY  
SIGNAL PIN MATERIAL: COPPER ALLOY
  - 3. 51939-258;51939-258LF;51939-258GLF PLATING SPEC. SEE PRINT:10064183
  - 4. MANUFACTURER'S NAME, P/N, AND DATE CODE TO APPEAR ON THIS SURFACE.
  - 5. PRODUCT SPECIFICATION GS-12-149.  
APPLICATION SPECIFICATION BUS-20-067.
  - 6. PACKAGED IN TRAYS.
- PCB NOTES:
- 7. ALL HOLE DIAMETERS ARE FINISHED HOLE SIZE.
  - 8. MOUNTING HOLES, WHERE APPLICABLE, ARE UNPLATED.
  - 9.  $\varnothing 1.151 \pm 0.025$  DRILLED HOLES PLATED WITH 0.008 MIN SnPb OR Sn OVER 0.03 TO 0.08 Cu PLATING TO ACHIEVE  $\varnothing 1.02 \pm .07$  HOLE.
  - 10. "DIM XXX" TO BE DETERMINED BY THE CUSTOMER.
  - 11. CONNECTOR KEEP-OUT ZONE.

A

A

B

B

mat'l code				SEE NOTE		tolerances unless otherwise specified		CUSTOMER		 www.fciconnect.com	
lfr	ecn no.	dr	date	linear	0.X ±0.3		COPY		title 4P + 8S RIGHT ANGLE SOLDER HEADER		
A					0.XX ±0.13		projection				
					0.XXX ±0.051						
				angles	0° ±2°				product family PwrBlade code		
				dr	JULIA WANG	10/20/06	scale		size	dwg no	213
				enrg	RYAN YUAN	10/20/06	1:1		A	51939-258	sheet
				chr	BEER FU	10/20/06					4 of 4
				appd	JOSEPH HSIA	10/20/06					
sheet index	revision sheet										

1 | 2

Pro/E

PDM: Rev: A

STATUS: Released

Printed: Dec 20, 2010

cage code 22526

4