

Withwave's Precision Test Adapters are designed based on precision microwave interconnection technologies. **This Quick Mating type SMA(M) to SMA(F)** adapter is manufactured to precise microwave specifications and constructed with male gender on side 1 and female gender side 2.

The precision microwave connector interfaces ensure an excellent microwave performance up to 18 GHz.



■ Features

- Frequency range : DC to 18 GHz
- VSWR : 1.3 : 1(Max) @ 18 GHz
- Quick mating type

■ Specification

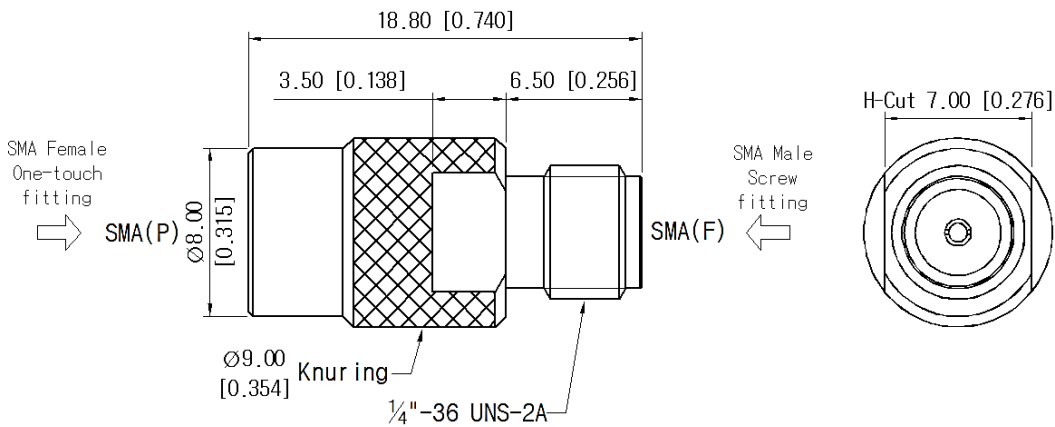
Scope	Specification	AD06P06FS1
Electrical	Impedance(Ohm)	50
	Operation Freq.(GHz)	DC to 18 GHz
	VSWR (Max)	1.3: 1 @ 18 GHz
Material	Dielectric	PTFE
	Center Contact	BeCu with gold plated
	Body	Brass with gold plated

* RoHS Compliant

■ Drawing

Part No.: AD06P06FS1

Unit : mm[inch]



■ Test Result

