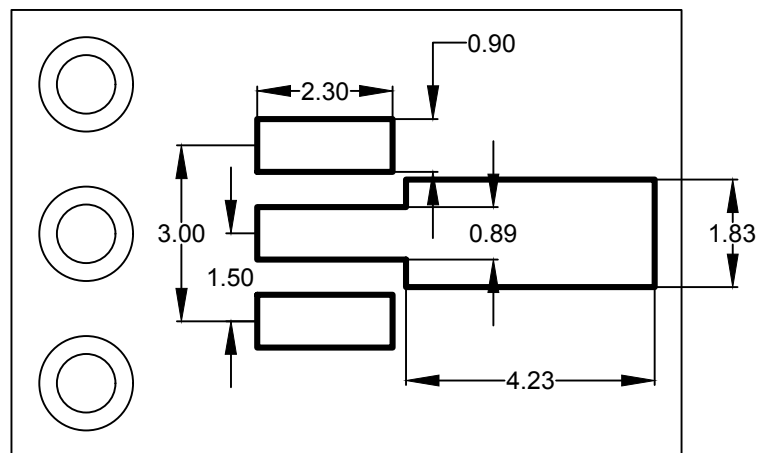
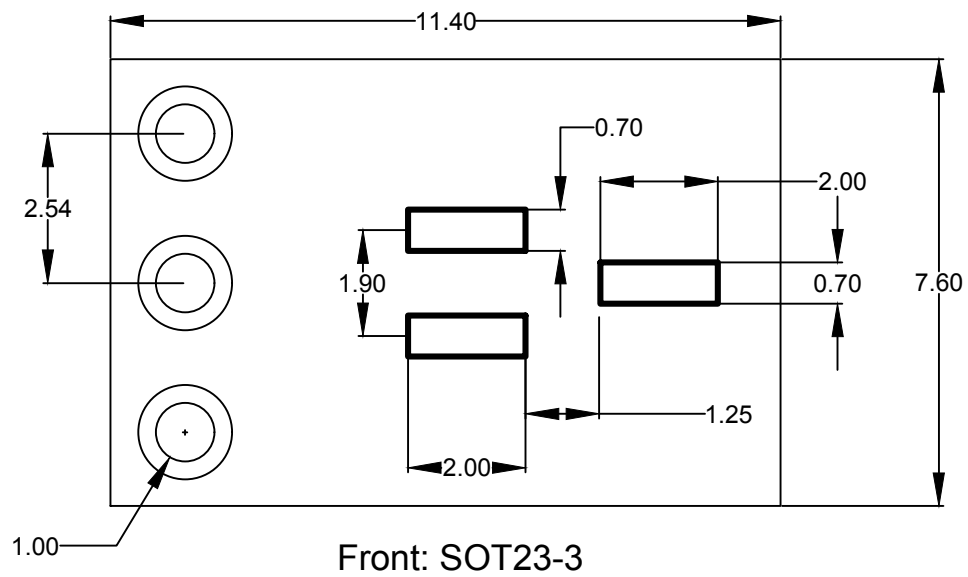


## Double-Sided 3-Pin SOT23/SOT89 To DIP Breakout Board



(All Dimensions in mm)

Material Thickness: 1.6mm