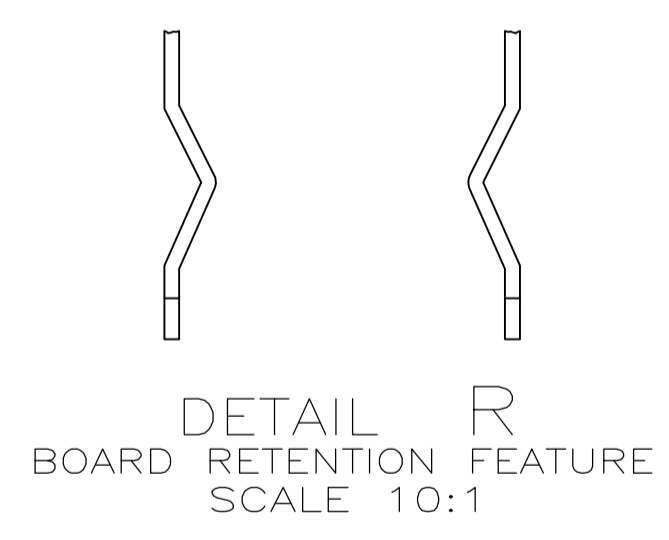
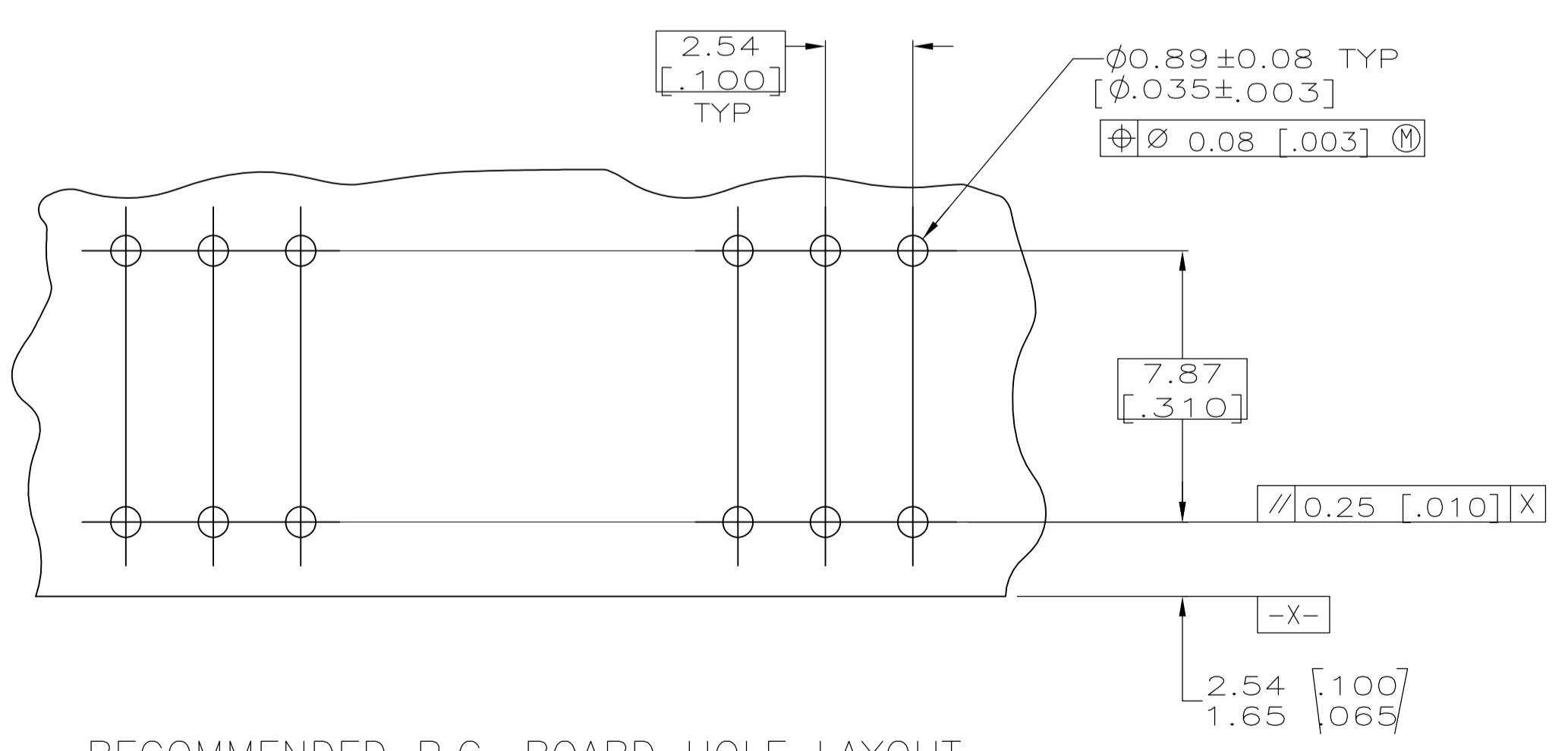
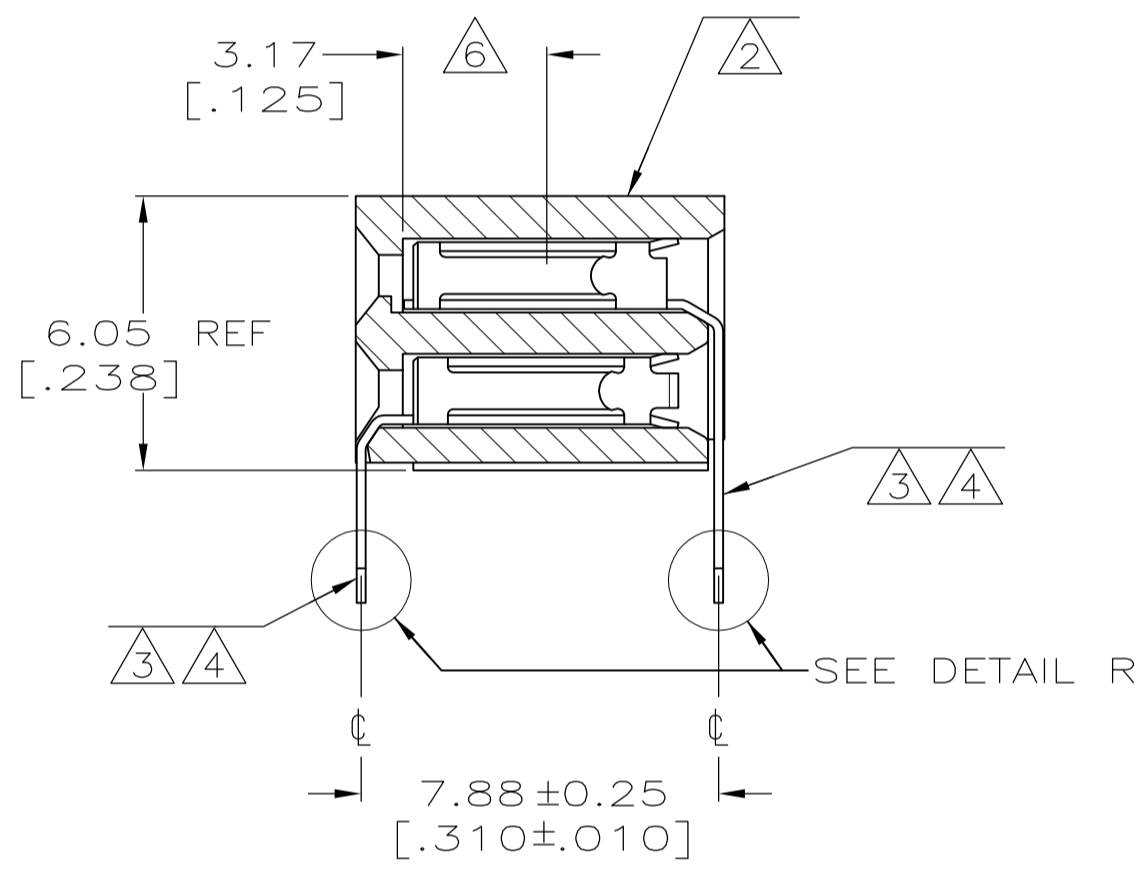
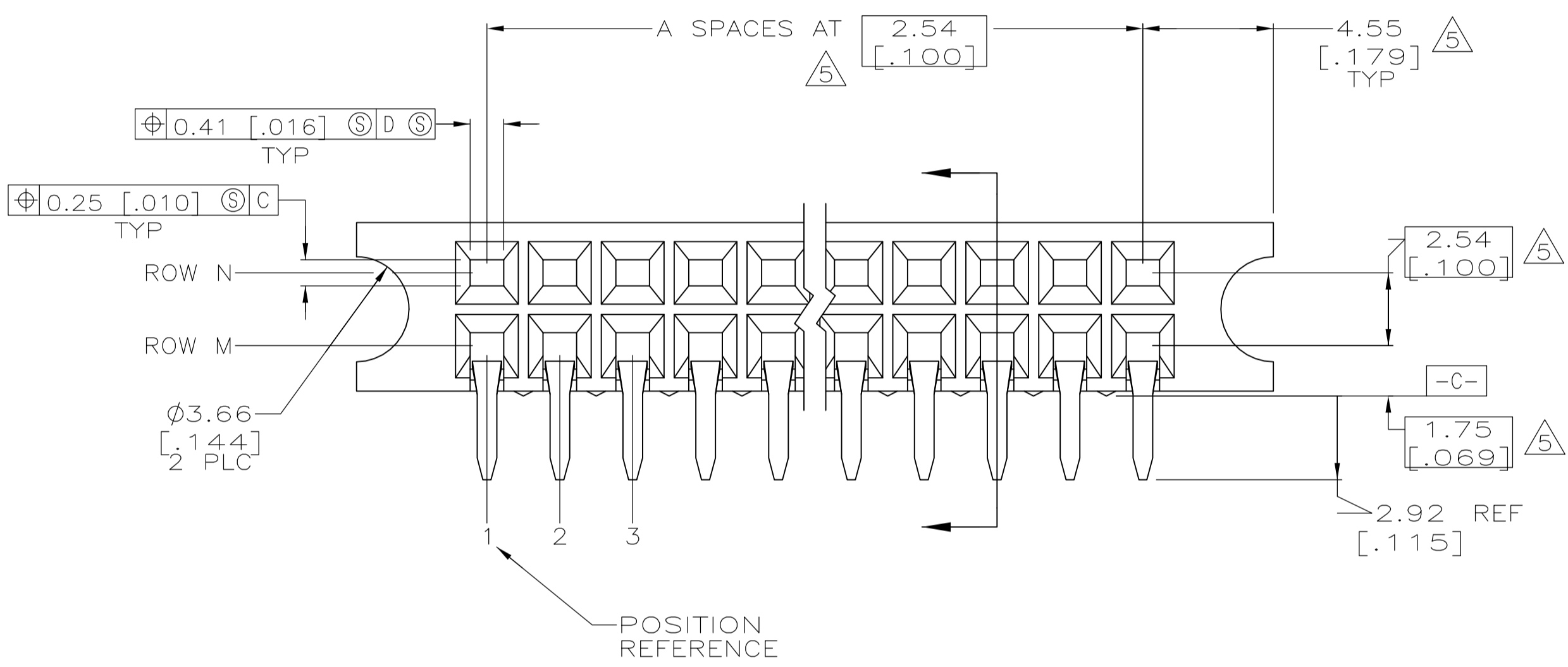
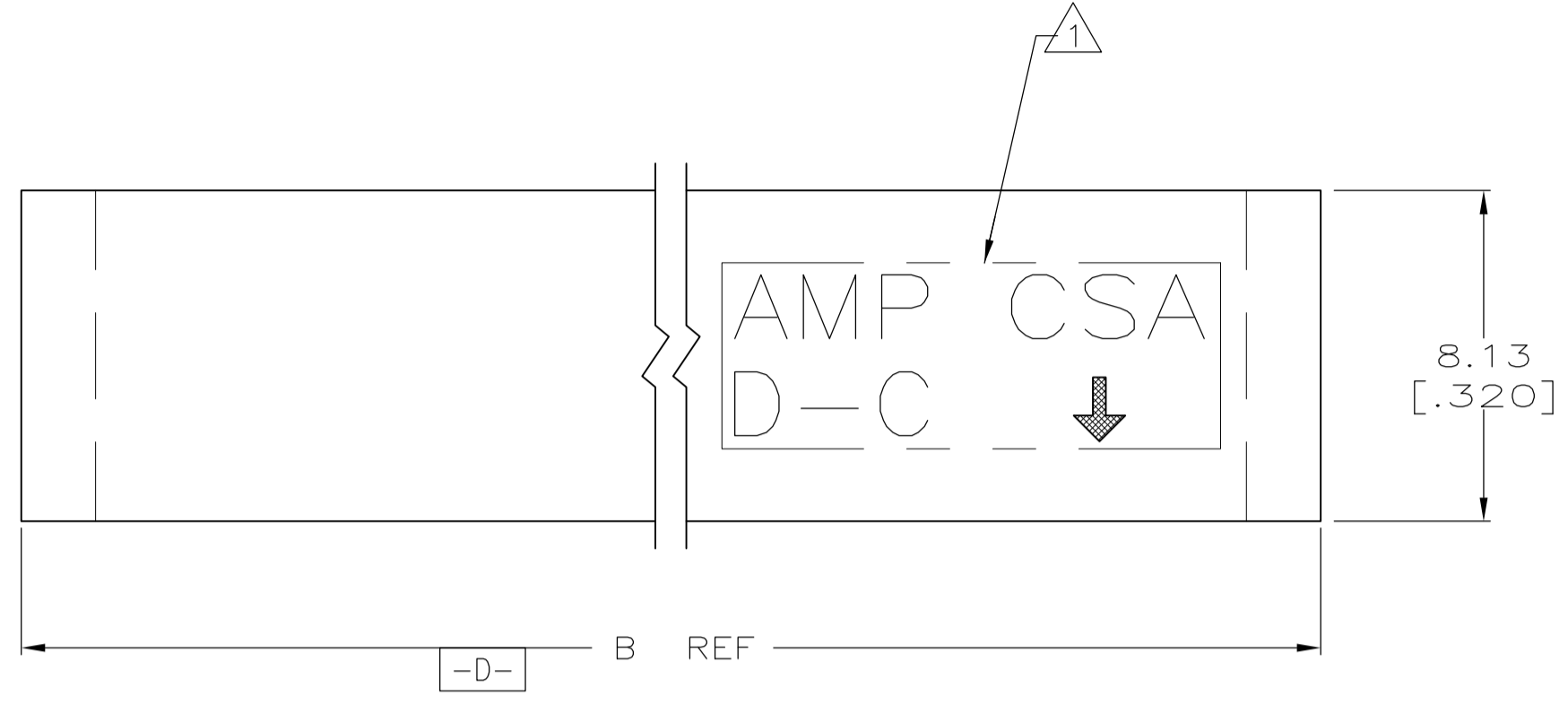


LOC		DIST		REVISIONS			
P	LTR	DESCRIPTION	DATE	DMN	APVD		
A1	ECO-06-16525		02OCT06	MB	JO		
A2	REVISED PER ECO-09-020689		22AUG09	KK	AEG		



- 1 "AMP", "CSA", "↓", AND "DATE CODE" WITH .062 .015 HIGH CHARACTERS WHERE SIZE PERMITS.
- 2 HOUSING: 1-70 POSITION SIZES MAY BE PPS, GLASS-FILLED OR PCT, GLASS-FILLED, COLOR: BROWN. POSITION SIZES GREATER THAN 70 WILL BE PPS, GLASS-FILLED, COLOR: BROWN.
- 3 CONTACT: PHOSPHOR BRONZE.
- 4 CONTACT FINISH: DUPLEX PLATED 0.00076 [.000030] GOLD IN CONTACT AREA, 0.00127-0.00254 [.000050-.000100] BRIGHT TIN-LEAD ON SOLDER TAILS, ALL OVER 0.00127 [.000050] NICKEL.
- 5 THESE DIMENSIONS PERTAIN TO CAVITY Q'S ONLY, NOT TO CONTACT LOCATIONS.
- 6 POINT OF MEASUREMENT FOR PLATING THICKNESS (INSIDE CONTACT BEAMS).
- 7 CSA LOGO INK STAMPED WHITE ON HOUSING.
- 8 CONTACT FINISH: DUPLEX PLATED 0.00076 [.000030] GOLD IN CONTACT AREA, 0.00127-0.00254 [.000050-.000100] MATTE TIN ON SOLDER TAILS, ALL OVER 0.00127 [.000050] NICKEL.
- 9 ROHS 2002/95/COMPLIANT.
- 10 OBSOLETE PARTS: OBSOLETE CIS STREAMLINING PER D.RENAUD/D.SINISI

FINISH	CONTACT OMITTED		POSITION WITH BOARD RETENTION		B	A	NO OF POSN	PART NUMBER
	ROW M	ROW N	ROW M	ROW N				
8	5,25	-	1,2,23,24	1,2,23,24	70.05 [2.758]	24	50	5-147340-1
4	5,25	-	1,2,23,24	1,2,23,24	70.05 [2.758]	24	50	147340-1

THIS DRAWING IS A CONTROLLED DOCUMENT.

DIMENSIONS: mm [INCHES]	TOLERANCES UNLESS OTHERWISE SPECIFIED:	DIN B HAYMAKER 05NOV99	APVD J. GESFORD 05NOV99	Tyco Electronics Corporation Harrisburg, PA 17105-3608
0 PLC ± -	1 PLC ± -	2 PLC ± -	3 PLC ± 0.13[.005]	4 PLC ± -
MATERIAL		FINISH		SEE TABLE
WEIGHT		SCALE		6:1
CUSTOMER DRAWING		SHEET		1 of 1

NAME: RECEPTACLE ASSY, MOD II, DBL ROW, 2.54 X 2.54 [.100 X .100] CL GUIDE PIN EARS, CLOSED ENTRY, BOARD RETENTION FEATURE, SELECT LOAD

SIZE: A1 00779 C=147340