

2-5747708-0 ✓ ACTIVE

AMPLIMITE | AMPLIMITE HD-20

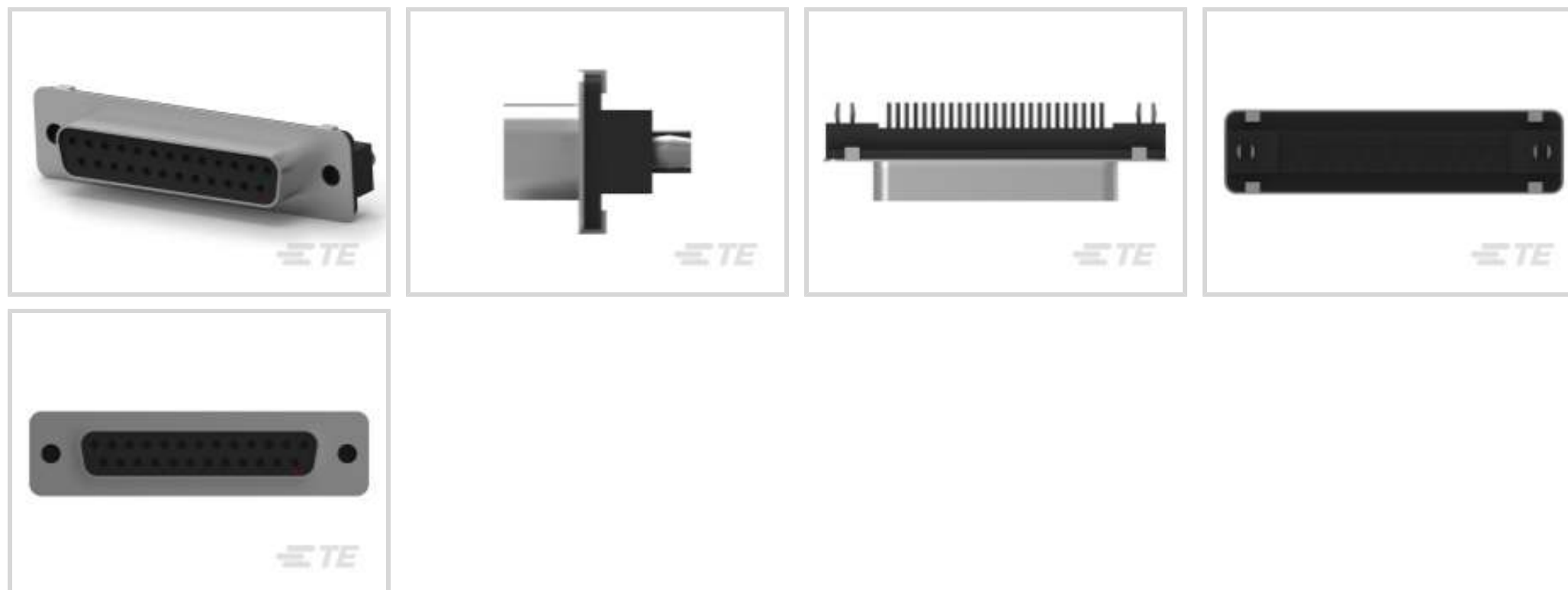
TE Internal #: 2-5747708-0

PCB D-Sub Connectors, Receptacle, Board-to-Board, 25 Position,
2.77 mm [.109 in] Centerline, 2 Row, 3 Connector Shell Size, Round,
AMPLIMITE HD-20

[View on TE.com >](#)



Connectors > D-Shaped Connectors > D-Sub Connectors > PCB D-Sub Connectors > D-Sub Receptacle Assembly: Vertical, Shell Size 3, 2.77mm



Connector & Housing Type: **Receptacle**

Connector System: **Board-to-Board**

Number of Positions: **25**

Centerline (Pitch): **2.77 mm [.109 in]**

Number of Rows: **2**

[All D-Sub Receptacle Assembly: Vertical, Shell Size 3, 2.77mm \(64\)](#)

Features

Product Type Features

Shell Material Configuration	Front Metal Shell
Connector & Housing Type	Receptacle
Connector System	Board-to-Board
Connector Shell Size	3
Connector & Contact Terminates To	Printed Circuit Board

Configuration Features

Number of Positions	25
Number of Rows	2
PCB Mount Orientation	Vertical

Body Features

Assembly Process Feature Material	Brass
Insert Material	Brass



Shield Plating Material	Tin
Shield Material	Steel
Shell Plating Material	Tin
Primary Product Color	Black
Connector Profile	Standard

Contact Features

PCB Termination Area Plating Finish	Bright
	30 µin
Contact Mating Area Plating Material	Gold
Contact Underplating Material	Copper
PCB Contact Termination Area Plating Material	Tin
Contact Base Material	Phosphor Bronze
Contact Shape & Form	Round
Contact Current Rating (Max)	6 A

Termination Features

Round Termination Post & Tail Diameter	.66 mm[.026 in]
Termination Post & Tail Length	3.18 mm[.125 in]
Termination Method to Printed Circuit Board	Through Hole - Solder

Mechanical Attachment

Assembly Process Feature Plating Material	Tin over Copper
Mounting Hole Diameter	3.07 mm[.121 in]
PCB Mount Retention	With
PCB Mount Retention Type	4-40 Retention Insert
Mating Retention	Without
Connector Mounting Type	Board Mount

Housing Features

Shell Material	Carbon Steel
Housing Material	Thermoplastic
Centerline (Pitch)	2.77 mm[.109 in]

Dimensions

PCB Thickness (Recommended)	1.57 mm[.062 in]
Row-to-Row Spacing	2.84 mm[.112 in]



Usage Conditions

Operating Temperature Range	-55 – 105 °C[-67 – 221 °F]
-----------------------------	----------------------------

Operation/Application

Shielded	Yes
Circuit Application	Signal

Industry Standards

Approved Standards	UL E28476
UL Flammability Rating	UL 94V-0

Packaging Features

Packaging Quantity	10
Packaging Method	Tube

Other

D-Shaped Connectors Comment	All receptacles are preloaded with size 20 DF posted socket contacts
-----------------------------	--

Product Compliance

[For compliance documentation, visit the product page on TE.com>](#)

EU RoHS Directive 2011/65/EU	Compliant with Exemptions
EU ELV Directive 2000/53/EC	Compliant with Exemptions
China RoHS 2 Directive MIIT Order No 32, 2016	Restricted Materials Above Threshold
EU REACH Regulation (EC) No. 1907/2006	Current ECHA Candidate List: JUNE 2023 (235) Candidate List Declared Against: JAN 2023 (233) SVHC > Threshold: Pb (3.7% in Component Part) Article Safe Usage Statements: Do not eat, drink or smoke when using this product. Wash thoroughly after handling. Recycle if possible and dispose of the article by following all applicable governmental regulations relevant to your geographic location.
Halogen Content	Not Low Halogen - contains Br or Cl > 900 ppm.
Solder Process Capability	Wave solder capable to 265°C

Product Compliance Disclaimer

This information is provided based on reasonable inquiry of our suppliers and represents our current actual knowledge based on the information they provided. This information is subject to change. The part numbers that TE has identified as EU RoHS compliant have a maximum concentration of 0.1% by weight in homogenous materials for lead, hexavalent chromium, mercury, PBB, PBDE, DBP, BBP, DEHP, DIBP, and 0.01% for cadmium, or qualify for an exemption to these limits as defined in the Annexes of Directive 2011/65/EU (RoHS2). Finished electrical and electronic equipment products will be CE marked as required by Directive 2011/65/EU. Components may not be CE marked. Additionally, the part



numbers that TE has identified as EU ELV compliant have a maximum concentration of 0.1% by weight in homogenous materials for lead, hexavalent chromium, and mercury, and 0.01% for cadmium, or qualify for an exemption to these limits as defined in the Annexes of Directive 2000/53/EC (ELV). Regarding the REACH Regulation, the information TE provides on SVHC in articles for this part number is based on the latest European Chemicals Agency (ECHA) 'Guidance on requirements for substances in articles' posted at this URL: <https://echa.europa.eu/guidance-documents/guidance-on-reach>

Compatible Parts



TE Part # CAT-AM7-H3
IDC D-Sub: Plug Assembly, Low Profile, Signal, 2.77 mm



TE Part # CAT-AM7-248H3
IDC D-Sub: Plug Assembly, Wire to Wire, Signal, 2.77 mm



TE Part # CAT-AM7-248H4
IDC D-Sub: Connector Kit, Plug, Wire to Wire, Signal, 2.77 mm

Also in the Series | AMPLIMITE HD-20

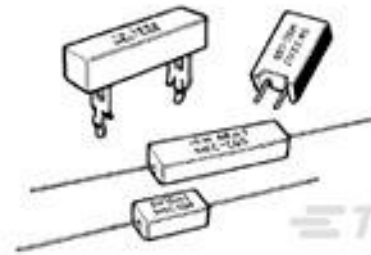


PCB D-Sub Connectors(353)

Customers Also Bought



TE Part #2-5748003-0
09 PLUG SP/FMS BRDLK



TE Part #1623783-2
SQM7 15K 5% (METAL FILM)



TE Part #5750638-1
15 PLUG SP/FMS BRDLK



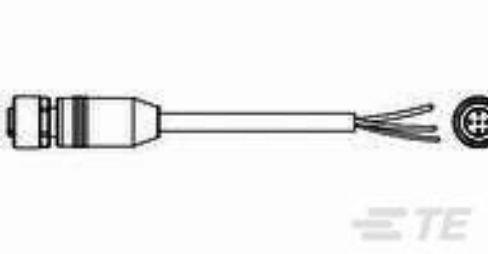
TE Part #5650907-5
ASSY,PIN,EUROCARD,TYPE C,LEAD-FREE,150 P



TE Part #5650947-5
ASSY,PIN,EUROCARD,TYPE C,LEAD-FREE,150 P



TE Part #5650405-5
ASSEMBLY,RECEPTACLE,EUROCARD,TYPE C,LEAD-FREE,150 P



TE Part #1-2273045-1
M12 x 1.0 straight socket pigt shld A



TE Part #CV25852001
RW-175-E-3/8-X-STK



TE Part #CV21104001
RW-175-E-1/4-X-SP



TE Part #CV21254001
RW-175-E-1/16-X-SP

Documents

Product Drawings

[25 RCPT SP/FMS BRDLK](#)

English

CAD Files

Customer View Model

[ENG_CVM_CVM_2-5747708-0_A.3d_igs.zip](#)

English

Customer View Model

[ENG_CVM_CVM_2-5747708-0_A.3d_stp.zip](#)

English

Customer View Model

[ENG_CVM_CVM_2-5747708-0_A.2d_dxf.zip](#)

English

[3D PDF](#)

3D

[3D PDF](#)

English

Customer View Model

[ENG_CVM_2-5747708-0_A.2d_dxf.zip](#)

English

Customer View Model

[ENG_CVM_2-5747708-0_A.3d_igs.zip](#)

English

Customer View Model

[ENG_CVM_2-5747708-0_A.3d_stp.zip](#)

English

By downloading the CAD file I accept and agree to the [Terms and Conditions](#) of use.

Datasheets & Catalog Pages

[AMPLIMITE Subminiature D Connectors - Straight Posted Connectors](#)

English

Product Specifications

[Application Specification](#)

English



Product Environmental Compliance

[MD_2-5747708-0_01282017036_dmtec](#)

English

[MD_2-5747708-0_01282017036_dmtec](#)

English

Agency Approvals

[UL Report](#)

English