

1

2

3

4

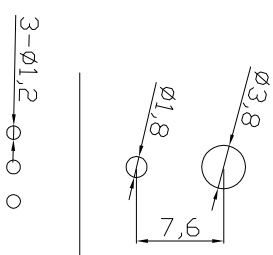
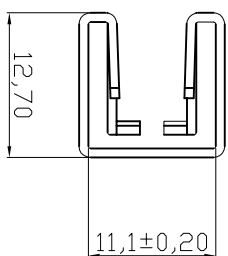
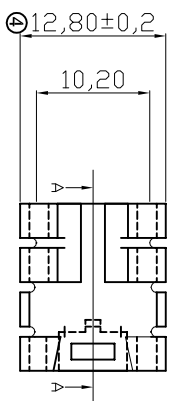
5

6

7

A

Ⓢ



Ⓢ Recommend PCB Layout



A

B

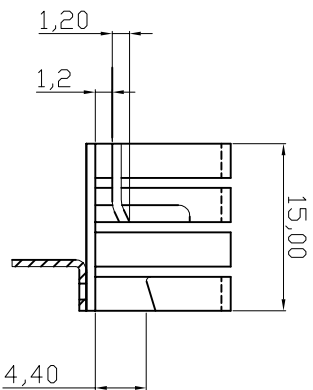
C

D

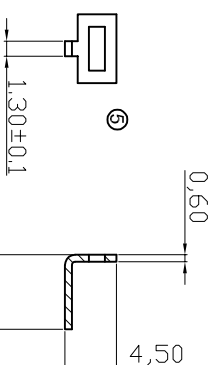
D

E

E



SECTION A-A



Notes

Material: AL 5052 T=0.8±0.1 MM

Finished: Black Anodize

F

F

G

G

RoHS compliant
Unit: mm

Scale	Free	⑥	Update to new drawing	08.07.2016	Amy		Date	Name	Customer-No.
TOLERANCE		⑤	Add PCB Layout	13.04.2016	Amy	Drawn	11.08.2009	Dean	ASSMANN WSW-No.
UNIT	④ ±0,25	④	Update to correct dimension	19.11.2013	Amy	Approved	08.07.2016	Amy	V85081
		③	Modify the position of pin	18.04.2011	Rate				
DIM	TOL	②	Modify drawing layout	10.03.2010	Alex				Drawing-No.
		①	Drawn	11.08.2009	Dean				ASS 0858 HS
Angle	TOL	Id.	Modification						Replace
									Sheet

1

2

3

4

5

6

7

H

H

ASSMANN
WSW components