

4

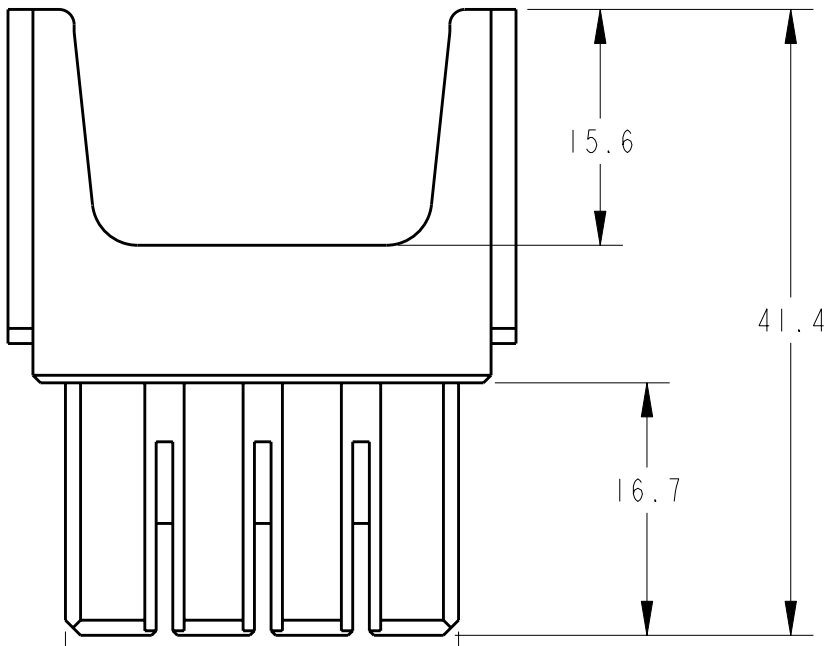
3

2

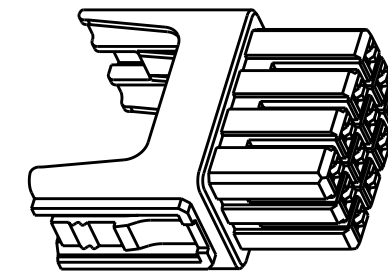
1

THIS DRAWING IS UNPUBLISHED. RELEASED FOR PUBLICATION 2005
© COPYRIGHT 2005 BY TYCO ELECTRONICS CORPORATION. ALL INTERNATIONAL RIGHTS RESERVED.

LOC	DIST	REVISIONS					
		P	LTR	DESCRIPTION	DATE	DWN	APVD
J			C	REVISED PER ECR-10-017569	25AUG2010	HMR	T.M

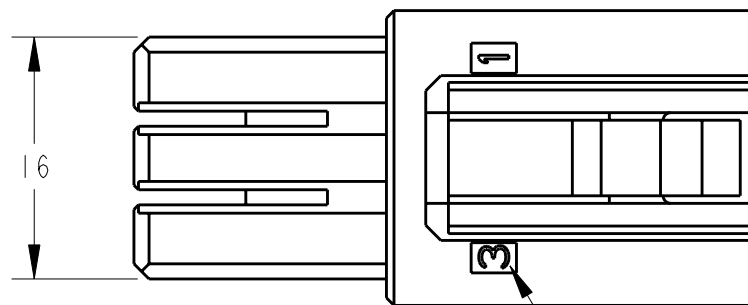
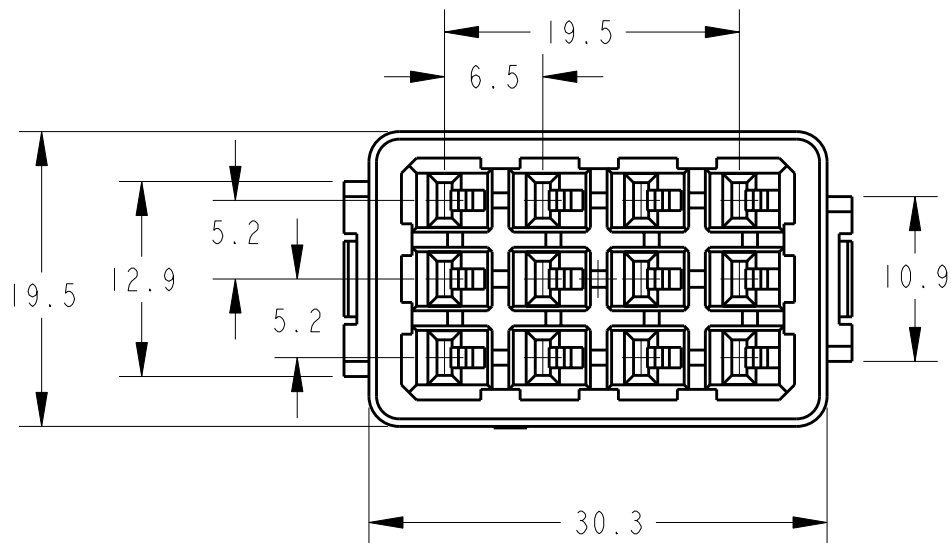


1747363-1:AS SHOWN

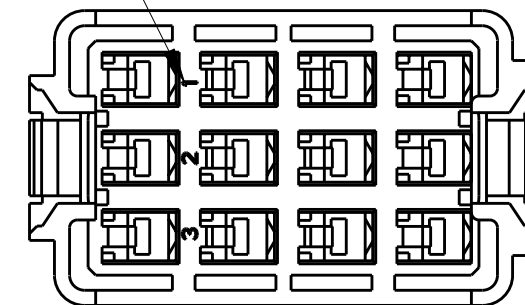


スケール 1:1

CIRKIT NO
回路番号

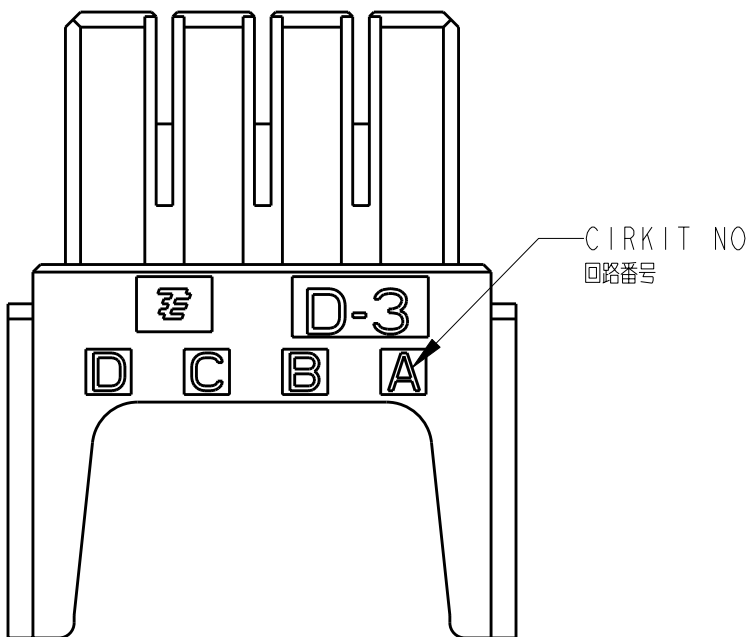


CIRKIT NO
回路番号



- 材料: ガラス入り熱可塑性ポリエステル樹脂
色: 黒色
- HTSコネクターモジュール固定フレーム使用型番
サイズ"3: 0-1108784-1
サイズ"4: 0-1108783-1, 0-1108783-2
サイズ"6: 0-1108782-1, 0-1108782-2
サイズ"8: 0-1108780-1, 0-1108780-2

- MATERIAL: GLASS FIELD THERMO PLASTIC, POLYESTER
COLOR: BLACK
- HTS CONNECTOR MODULE FIXATION FRAME USE P/No
SIZE3: 0-1108784-1
SIZE4: 0-1108783-1, 0-1108783-2
SIZE6: 0-1108782-1, 0-1108782-2
SIZE8: 0-1108780-1, 0-1108780-2



<small>THIS DRAWING IS A CONTROLLED DOCUMENT FOR TYCO ELECTRONICS CORPORATION IT IS SUBJECT TO CHANGE AND THE CONTROLLING ENGINEERING ORGANIZATION SHOULD BE CONTACTED FOR THE LATEST REVISION.</small>		DWN 31AUG2005 T. SAKAMOTO CHK 31AUG2005 D. MITSUGI APVD 31AUG2005 D. MITSUGI		Tyco Electronics Corporation Kawasaki, Japan	
DIMENSIONS: 単位: 耗 mm		TOLERANCES UNLESS OTHERWISE SPECIFIED: 一般公差 0-PLC ± 1-PLC ± ±0.35 2-PLC ± ±3° 3-PLC ± 4-PLC ± ANGLES ±		NAME 名称 REC HSG 12P DYNAMIC D-3800SERIES WITH HTS CONNECTOR	
MATERIAL 材料 注記参照 SEE NOTES		FINISH 仕上		PRODUCT SPEC 製品規格 108-78285 APPLICATION SPEC 取付適用規格 114-5148 WEIGHT CUSTOMER DRAWING	
		SCALE 尺度 2:1		DRAWING NO 番号 C-1747363 RESTRICTED TO REV C	