

Panel Mount Fuse Holder

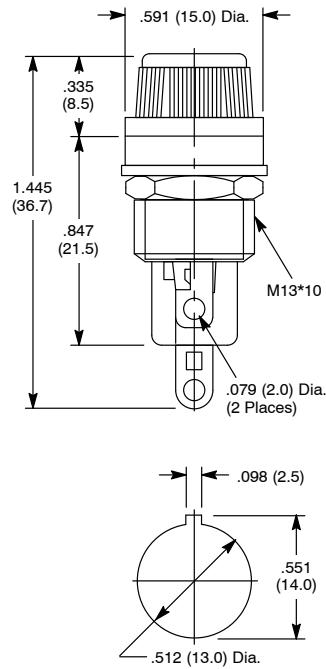


Specifications:

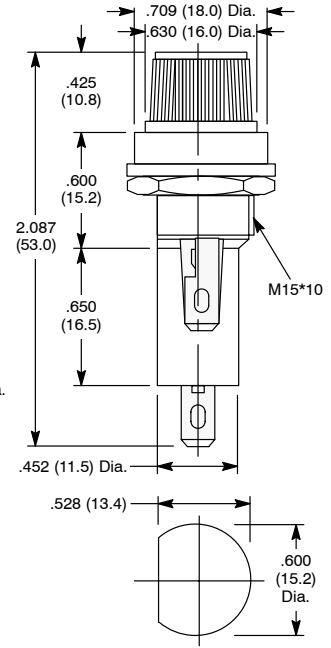
- Available in 2 Sizes:
Part No. 74-FH5 is for 5 x 20mm Fuses
Part No. 74-FH6 is for 6 x 30mm and 6.3 x 32mm Fuses
- Rating: 10A / 250VAC
- Finger-Grip Fuse Extractor Type Knob



FA-05 (74-FH5)



FA-06 (74-FH6)



In-Line Fuse Holder

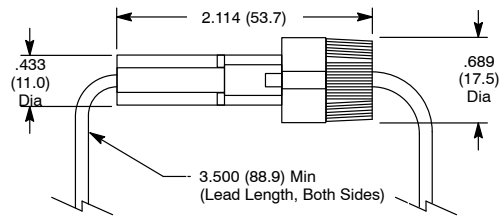


Specifications:

- Available in 2 Sizes:
Part No. 74-IFH5 is for 5 x 20mm Fuses
Part No. 74-IFH6 is for 6 x 30mm Fuses
- Rating:
74-IFH5: 15A / 250VAC / 32VDC
74-IFH6: 20A / 250VAC / 32VDC
- Operating Temperature: -4° to +185°F (-20° to +85°C)
- Red Wire Leads: 14AWG for the 74-IFH5 and 12AWG for the 74-IFH6
- Finger-Grip Fuse Extractor Type Knob



FA-07



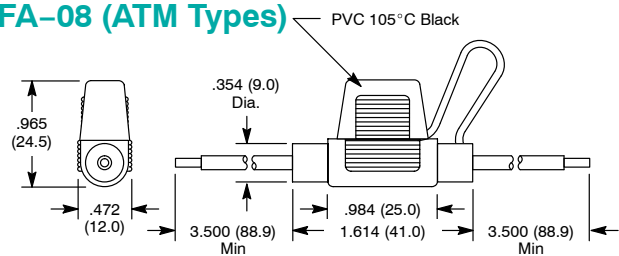
Auto In-Line Fuse Holder

Specifications:

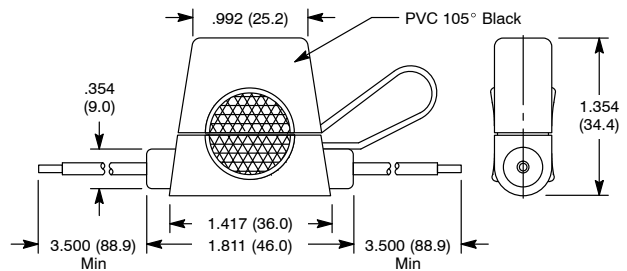
- Suitable for ATM & ATC Equivalent Blade Type Automotive Fuses
- Ratings and Ordering Numbers:
 - Part No. 74-IFHMA15 is for ATM type fuses up to 15A
 - Part No. 74-IFHMA30 is for ATM type fuses up to 30A
 - Part No. 74-IFHA15 is for ATC type fuses up to 15A
 - Part No. 74-IFHA30 is for ATC type fuses up to 30A
- All Types Rated up to 32VDC
- Body Material: PVC (Max. Temperature +105°C)
- Red Wire Leads: 16 AWG for 15A Versions & 12 AWG for 30A Versions



FA-08 (ATM Types)



FA-10 (ATC Types)



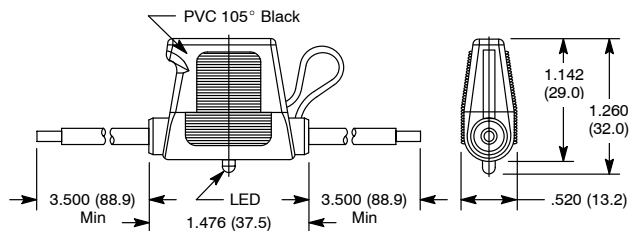
Auto In-Line Fuse Holder w/LED Warning Light

Specifications:

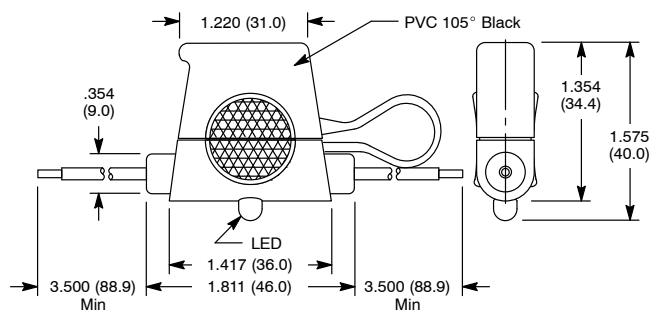
- Suitable for ATM & ATC Equivalent Blade Type Automotive Fuses
- LED Warning Light when Fuse is Blown
- Waterproof
- Ratings and Ordering Numbers:
 - Part No. 74-IFHMA15 is for ATM type fuses up to 15A
 - Part No. 74-IFHMA30 is for ATM type fuses up to 30A
 - Part No. 74-IFHAL15 is for ATC type fuses up to 15A
 - Part No. 74-IFHAL30 is for ATC type fuses up to 30A
- All Types Rated up to 12/24VDC
- Body Material: PVC (Max. Temperature +105°C)
- Red Wire Leads: 16 AWG for 15A Versions & 12 AWG for 30A Versions
- Non-Polarity Limited



FA-09 (ATM Types)



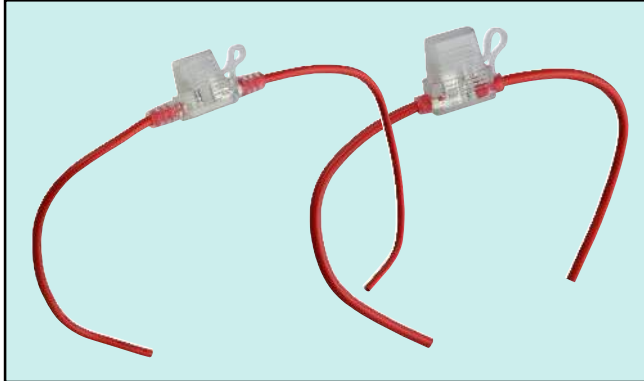
FA-11 (ATC Types)



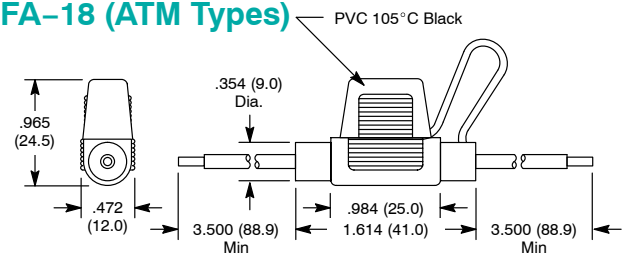
In-Line Clear Fuse Holder for ATC/ATO Equivalent Fuses

Specifications:

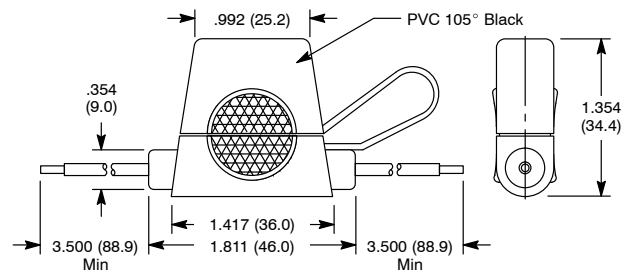
- Suitable for ATC/ATO Equivalent Blade Type Automotive Fuses
- Ratings and Ordering Numbers:
Part No. 74-IFHM30 is for ATM type fuses up to 30A
Part No. 74-IFHAC30 is for ATC/ATO type fuses up to 30A
- All Types Rated up to 32VDC
- Body Material: Clear PVC (Max. Temperature +105°C)
- Red Wire Leads: 12 AWG for 30A Versions



FA-18 (ATM Types)



FA-19 (ATC/ATO Types)



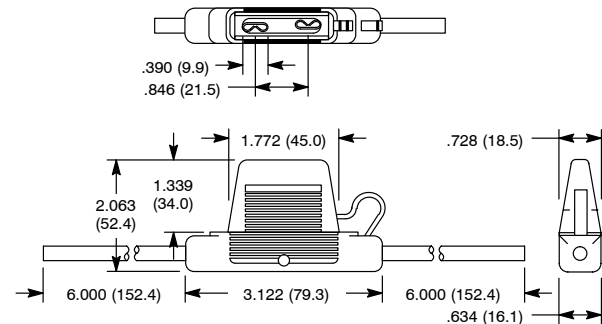
In-Line Clear Fuse Holder for MAX Equivalent Fuses

Specifications:

- Suitable for MAX Equivalent Blade Type Automotive Fuses
- Ratings and Ordering Numbers:
Part No. 74-IFHXC60 is for MAX type fuses up to 60A
- All Types Rated up to 32VDC
- Body Material: Clear PVC (Max. Temperature +105°C)
- Red Wire Leads: 6 AWG for 60A Versions



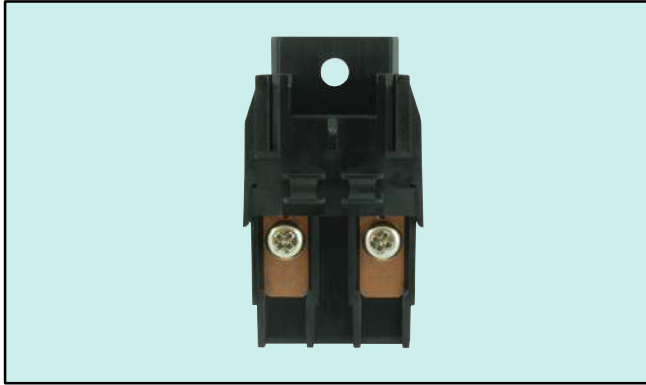
FA-20



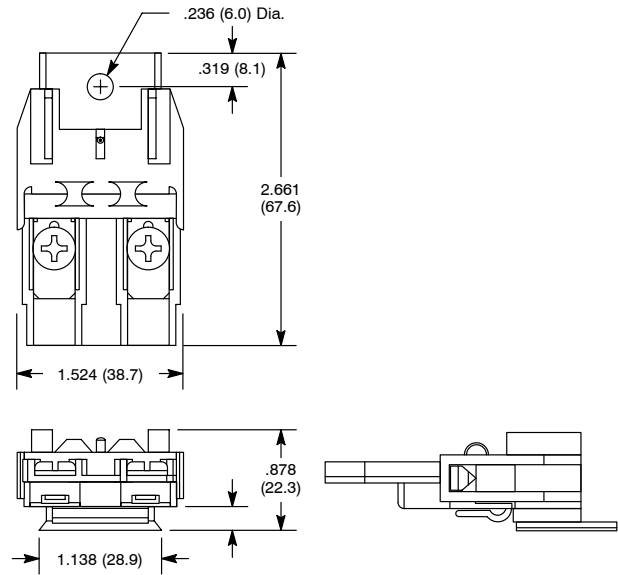
74-FHX, Fuse Holder for MAX Equivalent Auto Fuses

Specifications:

- Suitable for MAX Equivalent Blade Type Automotive Fuses
- Rating: 60A Max, 12/24/32VDC
- Isolation Resistance: 500V DC, 100M Ω Min
- Dielectric Strength: 1000V AC, 1 minute
- Body Material: Nylon 66, Black (Max. Temperature +85°C)
- Fuse Ratings / Wire Gauge:
 - 20A (Yellow) / 12 AWG
 - 30A (Green) / 10 AWG
 - 40A (Orange) / 8 AWG
 - 50A (Red) / 8 AWG
 - 60A (Blue) / 6 AWG



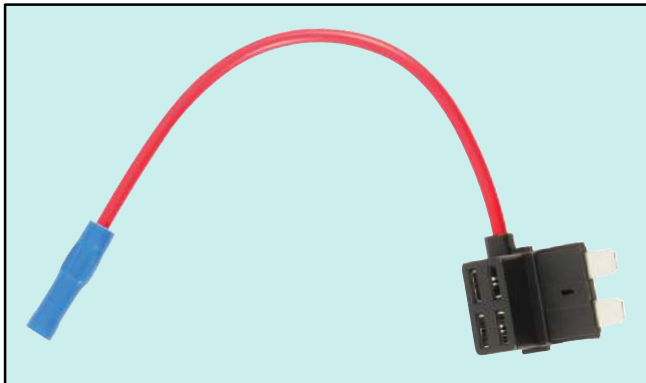
FA-13



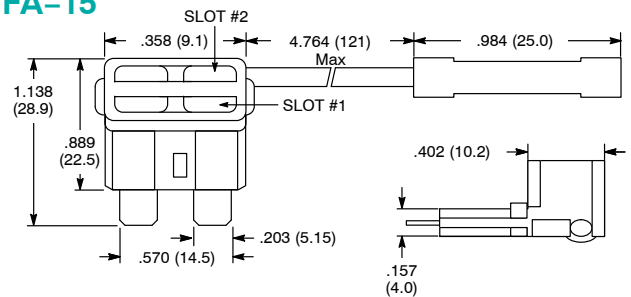
74-AFT-1, Automotive Fuse Circuit Tap for Standard ATO/ATM Blade Fuses

Specifications:

- Thin In-Line Fuse Holder Designed to Accommodate Two Fuses in One Slot
- For use with ATO/ATP/ATC type Fuses.
- Max. Installation Rating: 15 Amps.
- Butt Splice Connectors Pull-Out Force: 15kg. Min.
- Cable Wire: #16AWG, 5" (127mm) Red Wire (UL1015)
- RoHS Compliant. Product not UL Listed.



FA-15



Description:

This device has slots for two fuses. SLOT #1 is for the fuse that was originally inside the panel. SLOT #2 is for the lead that is tapping off and is limited to 10 Amps max.