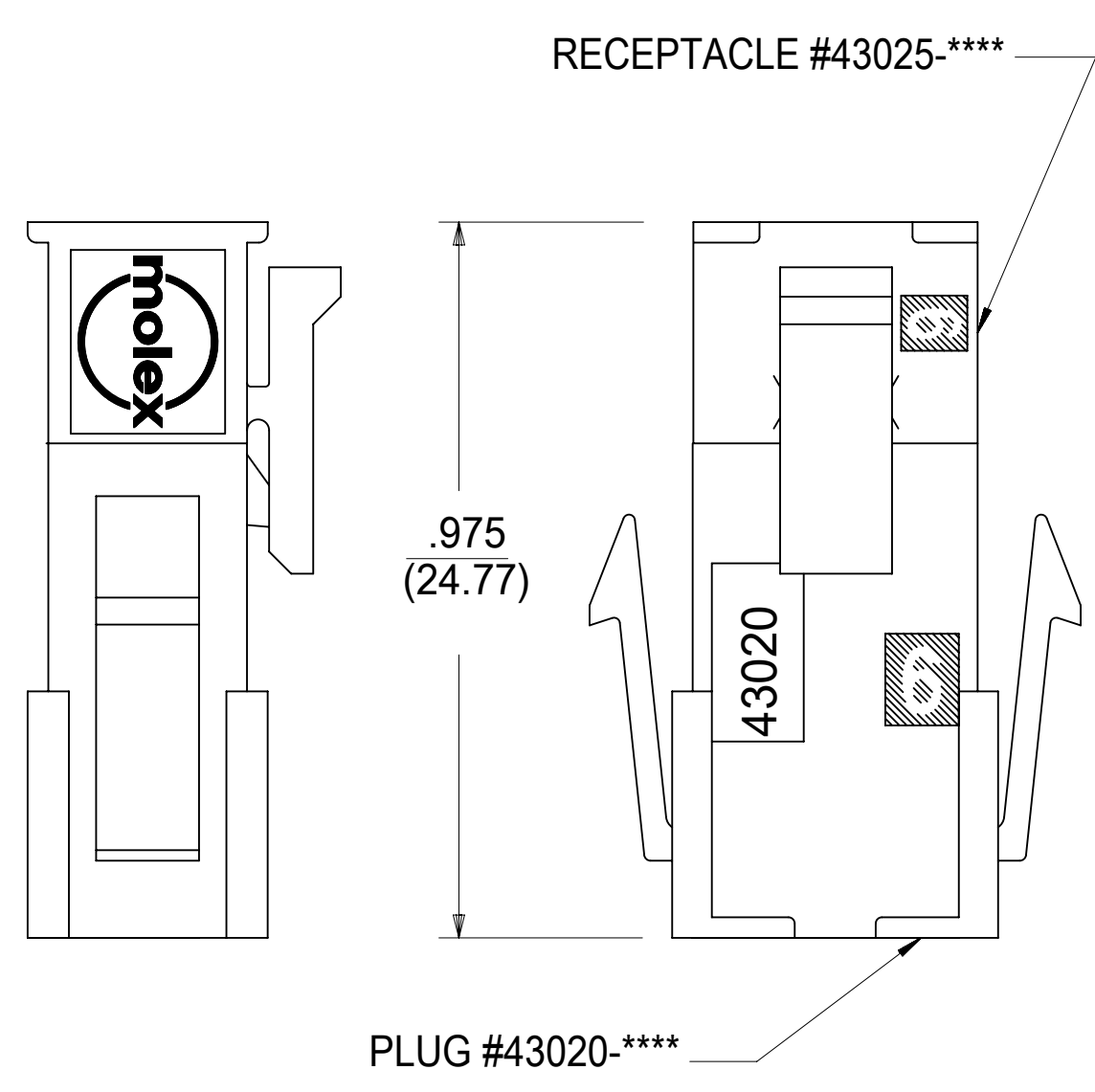


PART CHARACTERISTICS		
NUMBER OF POSITION	ASSEMBLY ITEM NUMBER	MATERIAL
02	43025-0200	"B"
04	43025-0400	
06	43025-0600	
08	43025-0800	
10	43025-1000	
12	43025-1200	
14	43025-1400	"B"
16	43025-1600	"A"
18	43025-1800	"B"
20	43025-2000	
22	43025-2200	
24	43025-2400	"A"

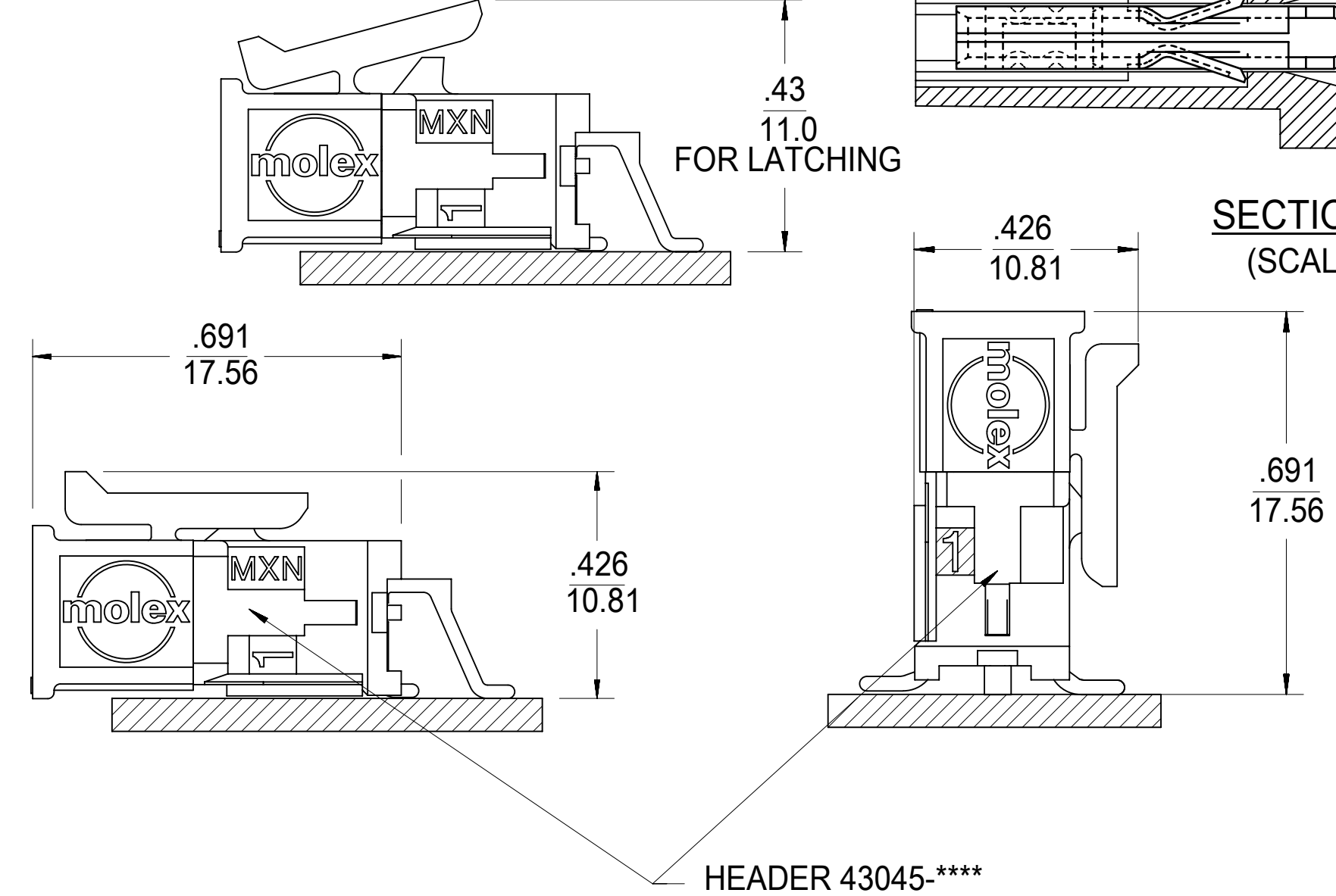
CKT. NO.	DIM. "A" +0.014 -0.010 +0.35 -0.25	DIM. "B"
2	.152/(3.86)	N/A
4	.270/(6.85)	.118/(3.00)
6	.388/(9.85)	.236/(6.00)
8	.506/(12.85)	.354/(9.00)
10	.624/(15.85)	.472/(12.00)
12	.742/(18.85)	.591/(15.00)
14	.860/(21.85)	.709/(18.00)
16	.978/(24.85)	.827/(21.00)
18	1.096/(27.85)	.945/(24.00)
20	1.215/(30.85)	1.063/(27.00)
22	1.333/(33.85)	1.181/(30.00)
24	1.451/(36.85)	1.299/(33.00)

**NOTES:**

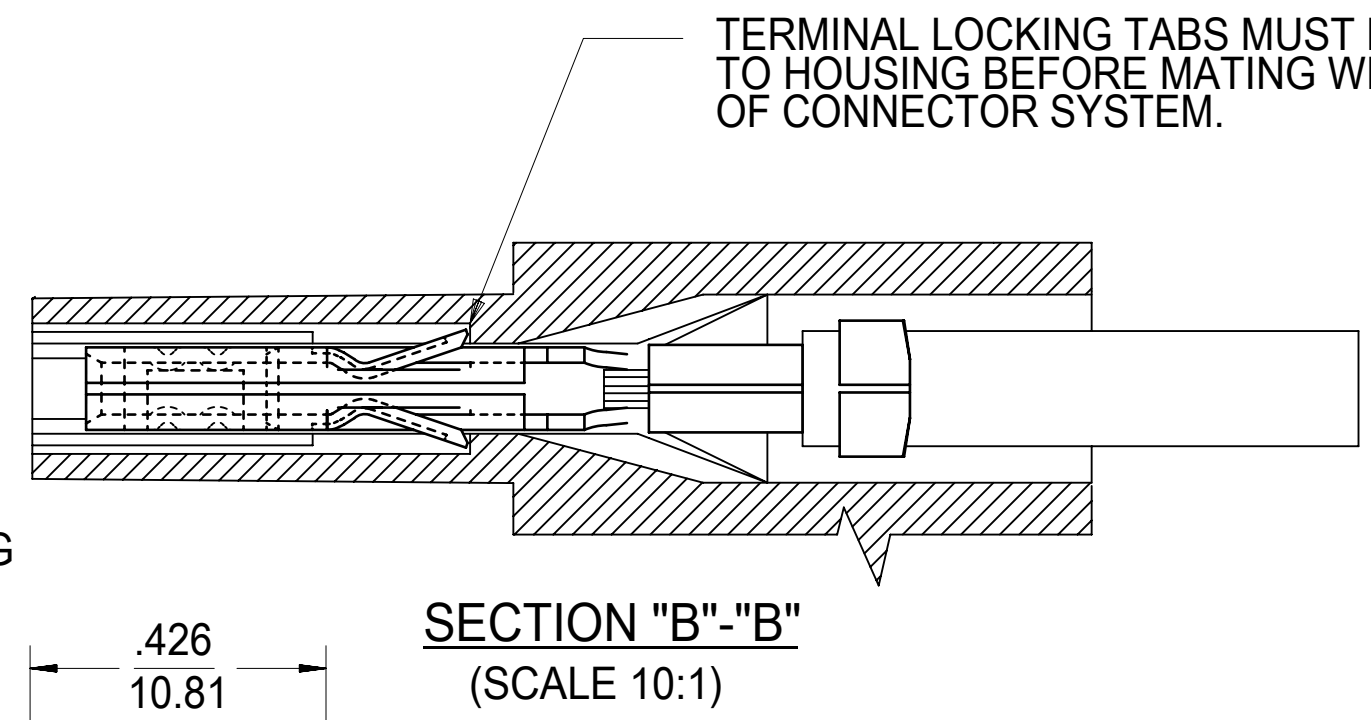
- HOUSING MATERIAL:  
"A" - UNFILLED POLYESTER, RATED U.L. 94V-0, COLOR IS BLACK.  
"B" - UNFILLED NYLON, RATED U.L. 94V-0, LOW HALOGEN, COLOR IS BLACK.
- FINISH: N/A
- PRODUCT SPECIFICATION: PS-43045
- PACKAGING SPECIFICATION: PK-43025-001
- THIS RECEPTACLE MATES WITH 43020, 43045.
- THIS RECEPTACLE TO BE USED WITH MOLEX FEMALE TERMINAL SERIES 43030 OR 46235. SEE SECTION "A"-A" FOR TERMINAL ORIENTATION IN HOUSING.
- FOR OVERMOLDING PARAMETERS SEE APPLICATION SPECIFICATION 430250000-AS.
- TOP PULL TABS ARE NOT AVAILABLE ON 2 AND 4 CIRCUIT PARTS.
- MOLEX RECOMMENDS THE USE OF MICRO-FIT TEST PLUG, SERIES NO. 44242-\*\*\*\* WHENEVER TESTING IS PERFORMED. TEST PLUGS MUST NOT BE USED FOR MAKE OR BREAK UNDER LOAD. MOLEX DOES NOT RECOMMEND USING STANDARD MATING COMPONENTS FOR HARNESS TESTING PURPOSES.
- SOME HOUSINGS MAY HAVE A SMALL GATE BLEMISH NEAR THE GATE THAT DOES NOT AFFECT FUNCTIONALITY.
- HOUSINGS HAVE EITHER AN IDENTIFIER RIB OR ENGRAVED "1" SYMBOL TO INDICATE CIRCUIT #1. IDENTIFIER TYPE IS TOOL DEPENDENT AND NOT SELECTABLE.
- DIMENSION 'A' MEASURED AT DATUM -A-
- THIS PART CONFORMS TO CLASS 'B' REQUIREMENTS OF COSMETIC SPECIFICATION PS-45499-002.
- TEXT ON PART IS FOR REFERENCE ONLY. TEXT AND TEXT LOCATION MAY VARY DEPENDING ON PART NUMBER AND/OR TOOL.



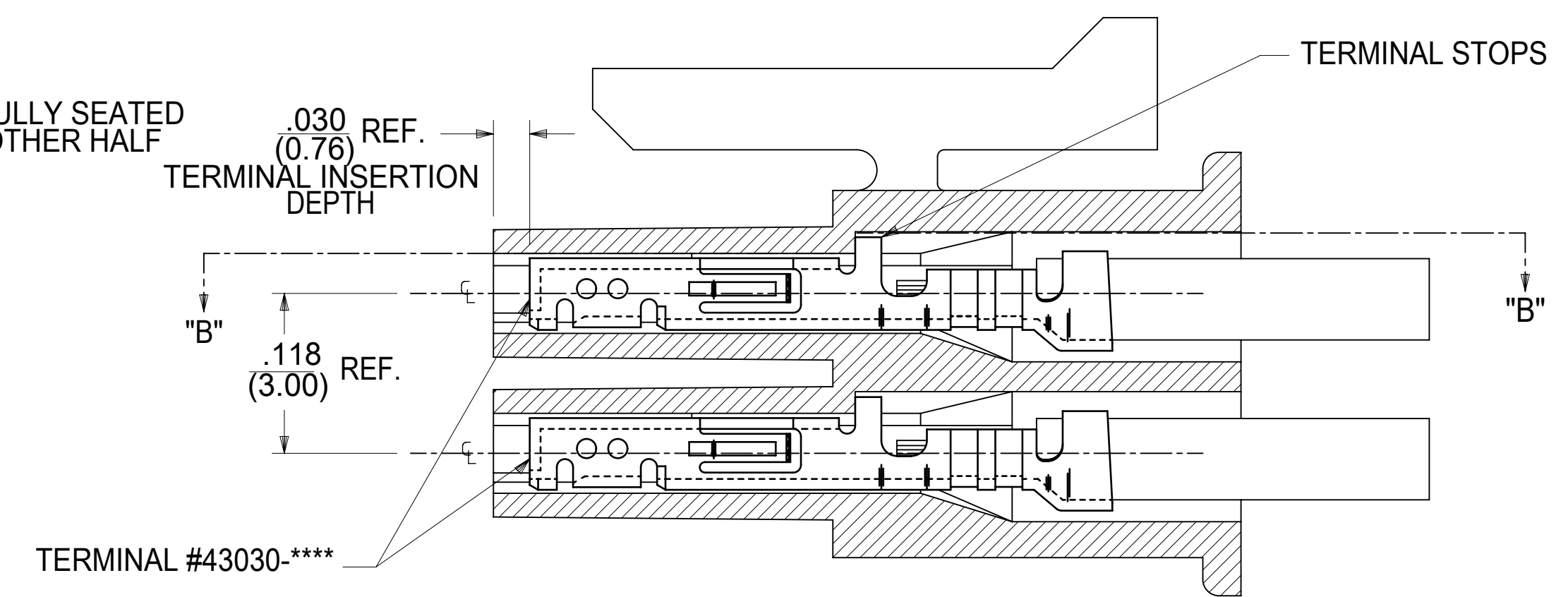
**MATED MICRO-FIT CONNECTOR**



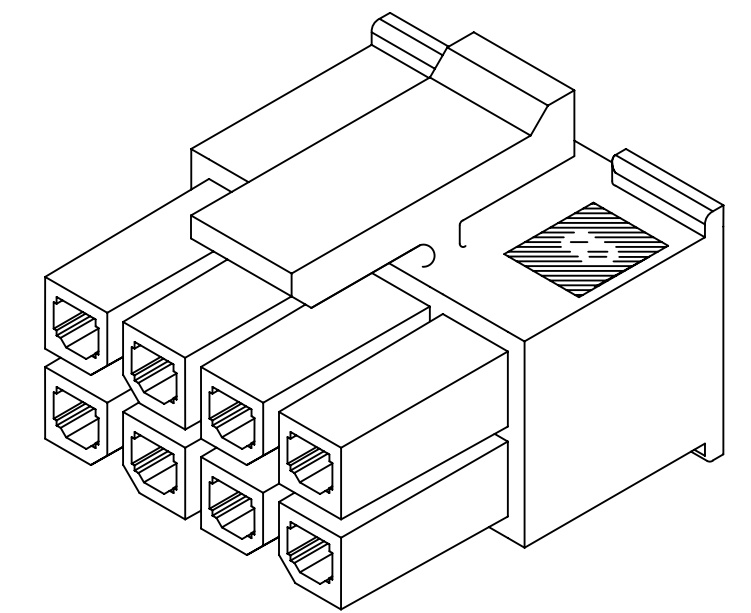
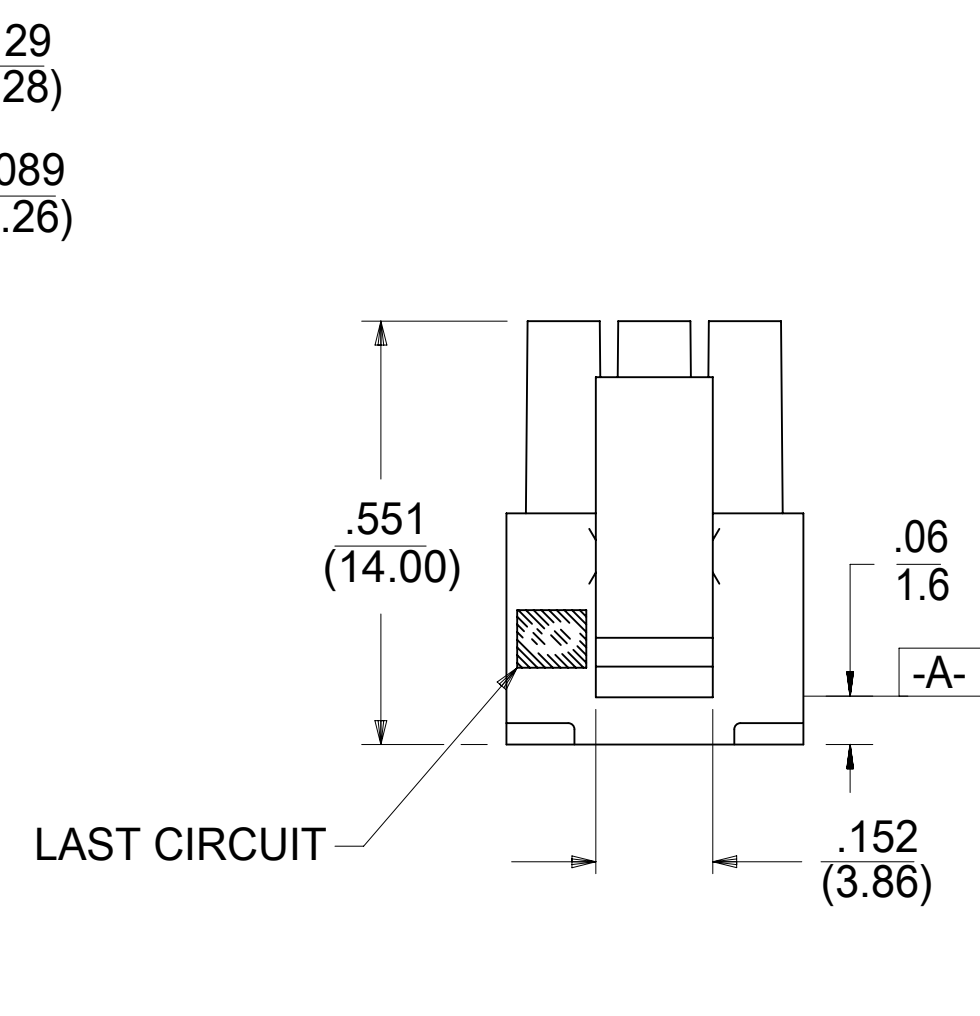
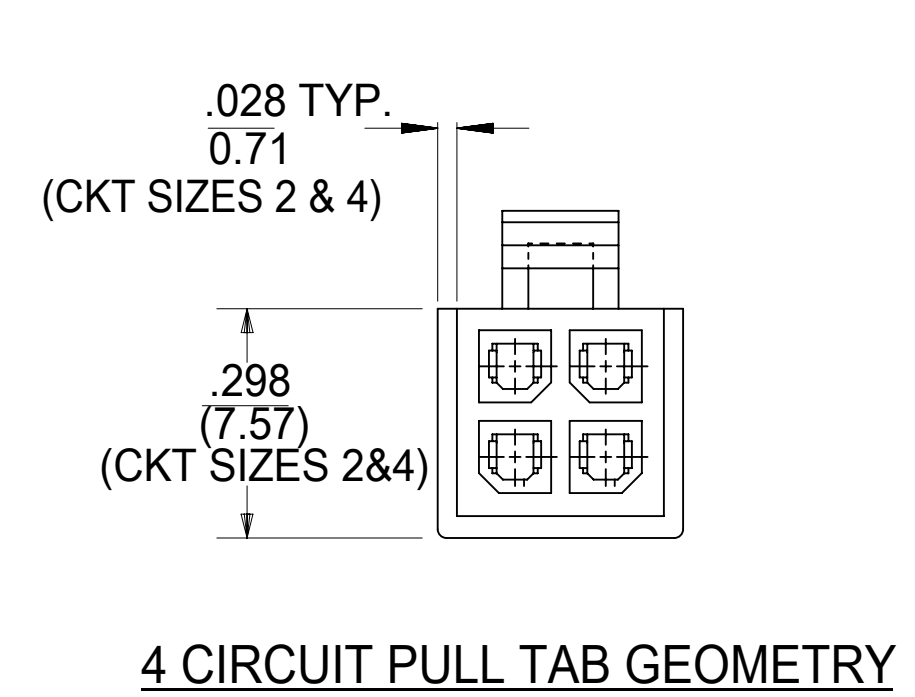
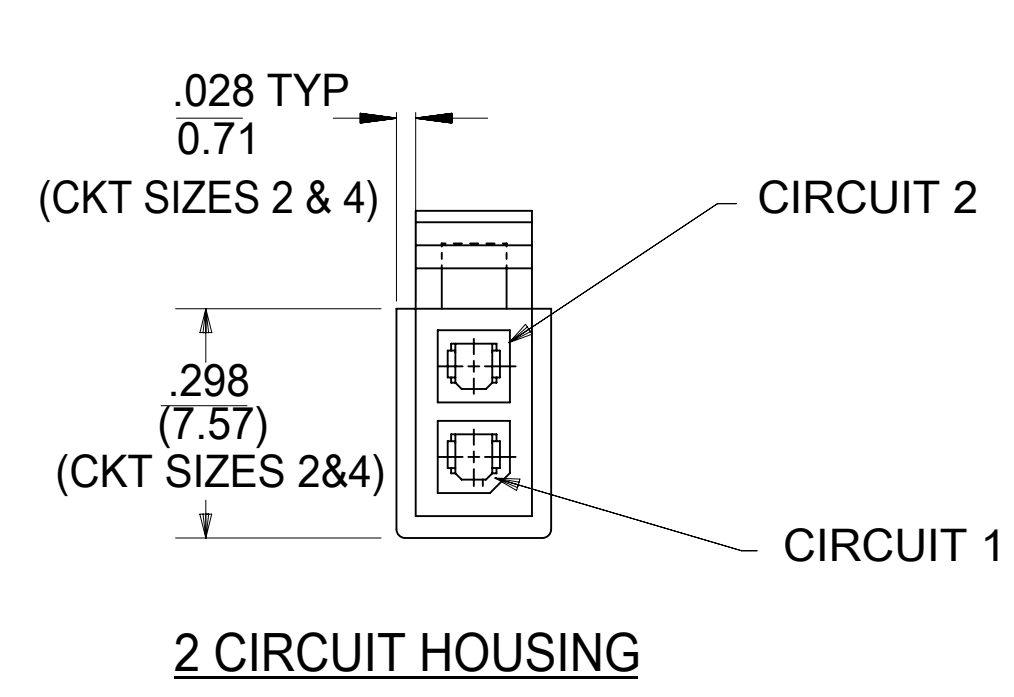
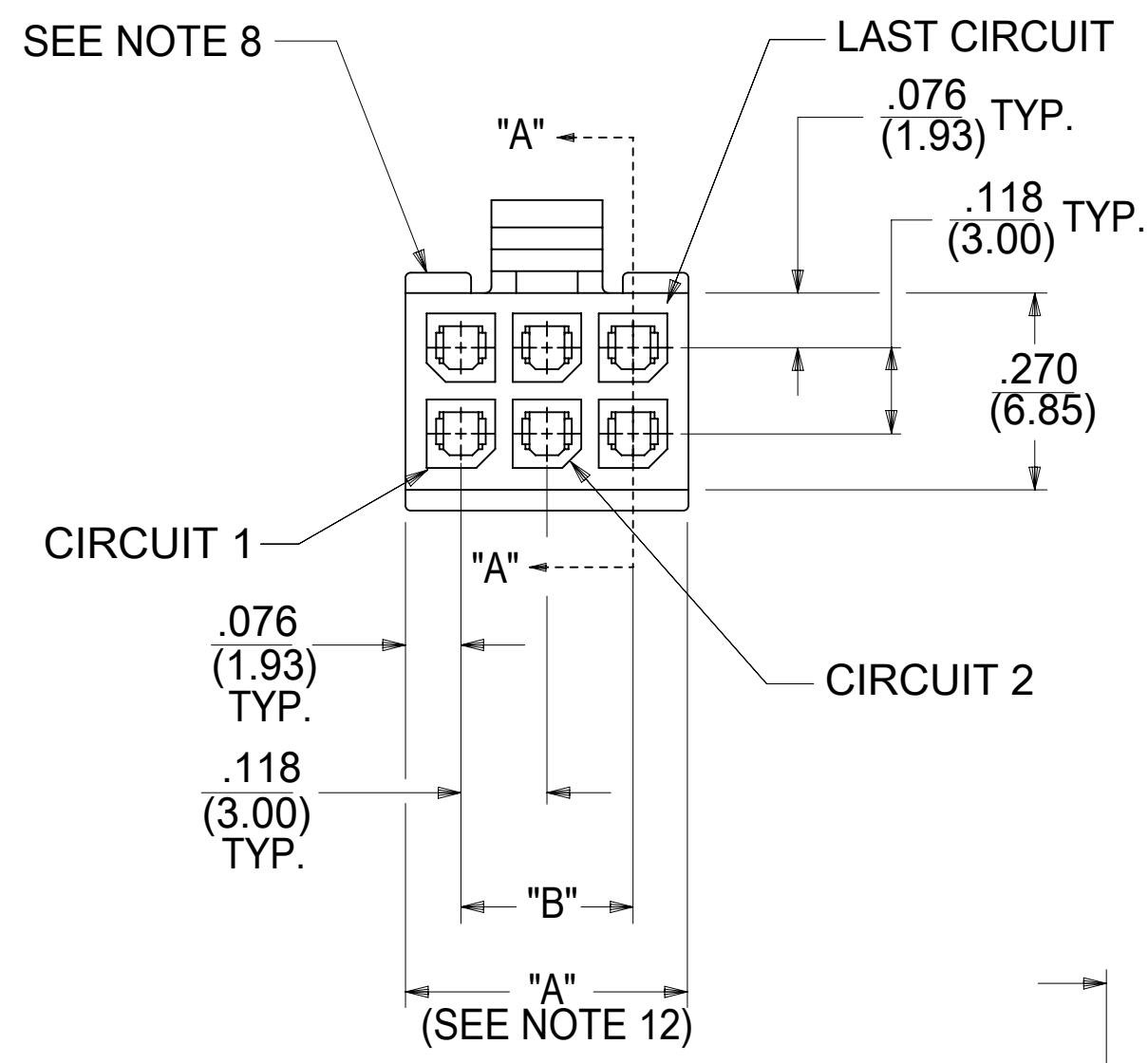
**HEADER 43045-\*\*\*\***



**SECTION "B"-"B" (SCALE 10:1)**



**SECTION "A"-"A" WITH TERMINAL (SCALE 10:1)**



**RECEPTACLE ISO VIEW (8 CIRCUIT SHOWN) (SEE NOTE 9 FOR TESTING)**

SYMBOLS		THIS DRAWING CONTAINS INFORMATION THAT IS PROPRIETARY TO MOLEX ELECTRONIC TECHNOLOGIES, LLC AND SHOULD NOT BE USED WITHOUT WRITTEN PERMISSION		CURRENT REV DESC: INITIAL RELEASE	
▽ = 0	IN/MM	SCALE	NTS	MOLEX	
▽ = 0	GENERAL TOLERANCES (UNLESS SPECIFIED)		MICRO-FIT (3.0) 2-24 CIRCUIT RECEPTACLE		
▽ = 0		MM	INCH	PRODUCT CUSTOMER DRAWING	
▽ = 0	4 PLACES ±	±	±	EC NO: 168740	2018/03/06
▽ = 0	3 PLACES ±	± 0.01	±	DRWN: AZAHIROVIC	2018/06/01
▽ = 0	2 PLACES ±	0.25 ±	0.014 ±	CHK'D: SSOUSEK	2018/06/01
▽ = 0	1 PLACE ±	0.35 ±	±	APPR: FSMITH	2018/06/01
▽ = 0	0 PLACES ±	±	±	INITIAL REVISION:	
▽ = 0	ANGULAR TOL ± 0.5°		±	DRWN: A.F.G.	1993/01/14
▽ = 0	DRAFT WHERE APPLICABLE MUST REMAIN WITHIN DIMENSIONS		THIRD ANGLE PROJECTION	APPR: FSMITH	2016/05/02
▽ = 0	D-DRAWING		SERIES	DOCUMENT NUMBER	
	D-SIZE		43025	430250000-SD	
	DRAWING			DOC TYPE	DOC PART
	D-SIZE		43025	PSD	000
	MATERIAL NUMBER		SEE TABLE	REVISION	A
	CUSTOMER			SHEET NUMBER	
				1 OF 1	