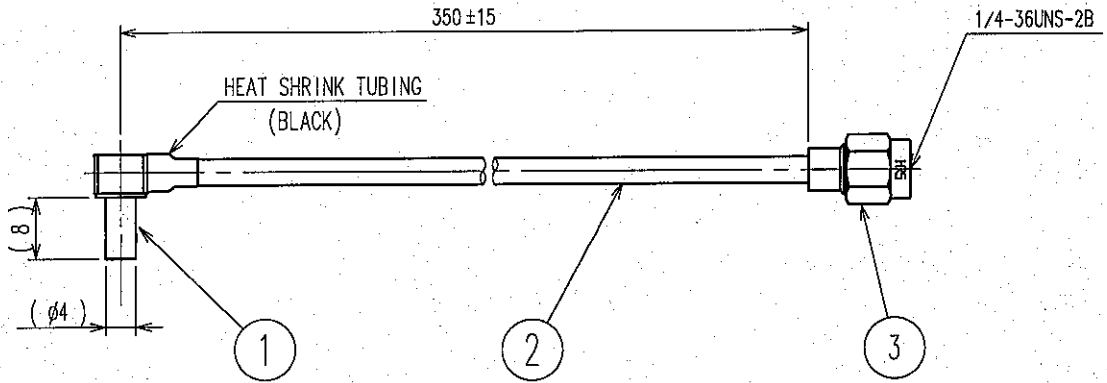


APPLICABLE STANDARD					
RATING	POWER	4 W	CHARACTERISTIC IMPEDANCE	50 Ω	
	OPERATING TEMPERATURE RANGE	-40°C TO +85 °C	STORAGE TEMPERATURE RANGE	-40°C TO +85 °C NO CONDENSATION	
	FREQUENCY RANGE	DC TO 6 GHz	APPLICABLE CABLE	1.5D-HQEW	
	OPERATING HUMIDITY RANGE	TO 90 %	CONNECTOR	HRM-P,MS-162-C(LP)-1	
SPECIFICATIONS					
ITEM	TEST METHOD		REQUIREMENTS	QT	AT
CONSTRUCTION					
GENERAL EXAMINATION	VISUALLY AND BY MEASURING INSTRUMENT.		ACCORDING TO DRAWING.	x	x
ELECTRIC CHARACTERISTICS					
V.S.W.R.	FREQUENCY DC TO 3 GHz.		1.4 MAX.	x	-
	FREQUENCY 3 TO 6 GHz.		1.8 MAX.		
CONTACT RESISTANCE	VALUE AT MAXIMUM OF DC 100mA .		CENTER 180 mΩ MAX. OUTER 150 mΩ MAX.	x	x
INSULATION RESISTANCE	VALUE AT DC 100V.		1000 MΩ MIN.	x	-
VOLTAGE PROOF	MUST KEEP THE AC 100 V FOR 1 min.		NO FLASHOVER OR BREAKDOWN.	x	x
MECHANICAL CHARACTERISTICS					
DURABILITY	12000 TIMES INSERTION AND EXTRACTIONS SHALL BE DONE.		① CONTACT RESISTANCE: CENTER 180 mΩ MAX OUTER 150 mΩ MAX ② NO DAMAGE, CRACK, AND LOOSENESS OF PARTS.	x	-
CABLE TERMINATION STRENGTH	TENSILE FORSE AT MAXIMUM 49 N IS APPLIED TO THE CABLE AXIALLY.		① CABLE MUST NOT BE LOOSEN OR BROKEN. ② NO DAMAGE AT THE CLAMP.	x	-
COUNT DESCRIPTION OF REVISIONS DESIGNED CHECKED DATE					
△					
REMARK Lead-Free Solder(Sn3.0Ag0.5Cu) is used. Unless otherwise specified, refer to JIS C 5402.	APPROVED	KJ. KAWAMURA	07.10.18		
	CHECKED	RZ. KANO	07.10.18		
	DESIGNED	YH. MATSUO	07.10.18		
	DRAWN	YH. MATSUO	07.10.18		
Note	QT:Qualification Test AT:Assurance Test X:Applicable Test	DRAWING NO.	ELC4-180729-00		
HRS	SPECIFICATION SHEET		PART NO.	MS162L1-HRMP-15W350	
	HIROSE ELECTRIC CO., LTD.		CODE NO.	CL362-0138-9-00	△ 1/1

2008/01/16 08:35:50 HK. HORINO

DRAWING FOR REFERENCE: This is subject to change without notice

1					2					3					4				
COUNT	DESCRIPTION OF REVISIONS				BY	CHKD	DATE	COUNT	DESCRIPTION OF REVISIONS				BY	CHKD	DATE				
△							..	△							..				
△								△							..				
△								△							..				



NOTE 1. Lead free solder (Sn3Ag0.5Cu) is used.

2	1.5D-HQEW	FUJIKURA CO., LTD			
1	MS-162-C(LP)-1	CL358-0222-4-00	3	HRM-200-1.5WPBN-S(40)	CL323-0710-4-40
NO.	MATERIAL	FINISH, REMARKS	NO.	MATERIAL	FINISH, REMARKS
CODE NO. (OLD)			DRAWN	DESIGNED	CHECKED
			<i>Y. Matsumoto</i>	<i>Y. Matsumoto</i>	<i>R. Kawano</i>
			'07.10.18	'07.10.18	'07.10.18
					APPROVED
					<i>H. Yamamura</i>
					'07.10.19
DRAWING NO.			PART NO.		
EDC4-180729			MS162L1-HRMP-15W350		
UNITS			CODE NO.		
mm			CL362-0138-9		
HRS HIROSE ELECTRIC CO., LTD.			1/1		

TO
RFD

