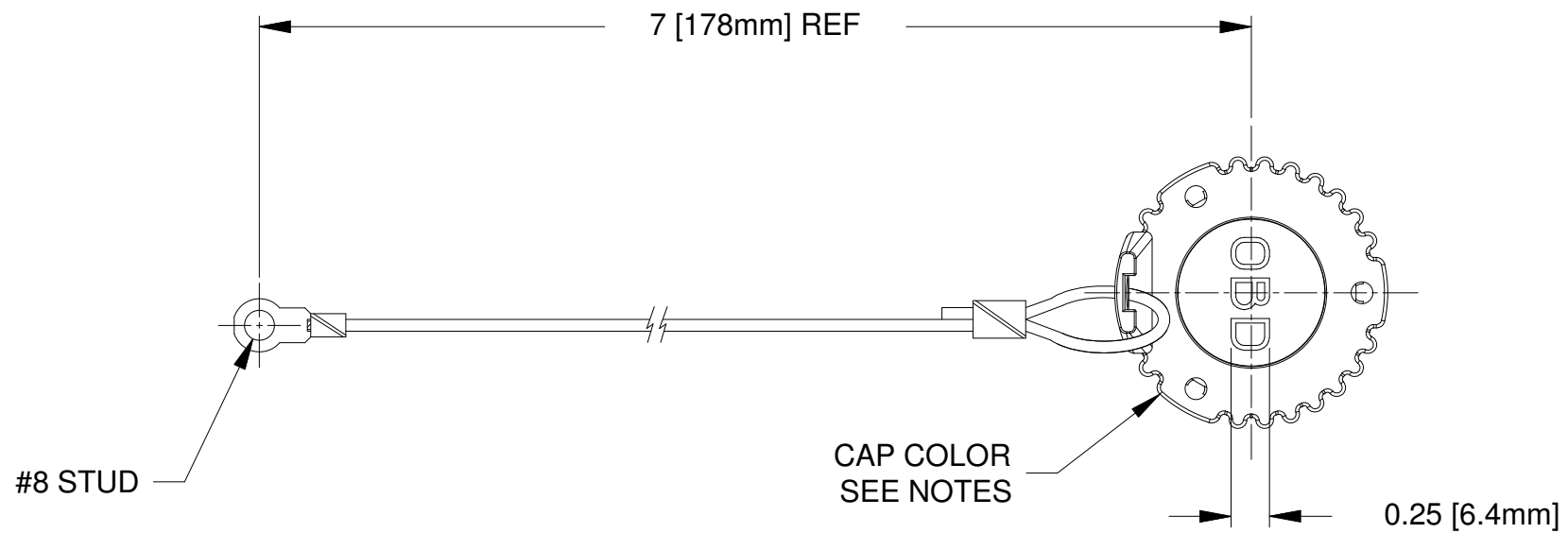


REVISIONS					
REV	ECO	DESCRIPTION	DATE	BY	APPR
A1		RELEASE CUSTOMER DRAWING	06NOV13	DRP	
A2	-	ADDED COLOR CHART & GREEN COLOR DWG NO. -TMOBD** WAS -TMOBDBK	23SEP14	JAH	



NOTES: UNLESS OTHERWISE SPECIFIED

1. COMPATIBLE WITH AHD SERIES 9 POSITION RECEPTACLES .
2. ALL COMPONENTS ARE RoHS COMPLIANT.
3. ALL DIMENSIONS ARE FOR REFERENCE USE ONLY.
4. CAP COLOR:
 A. -TMOBDBK = BLACK
 B. -TMOBDGN = GREEN

QUANTITY	AHDC169-TMOBD**	DESCRIPTION	ITEM
MATERIALS LIST			
UNLESS OTHERWISE SPECIFIED 1) All dimensions are in metric(mm). 2) Tolerances are as follows: 1 PL DEC ±0.30 Fractions ±1/64 2 PL DEC ±0.15 Angles ±1° 3 PL DEC ±0.08 3) Note reference =		SIGNATURES DRAWN: DRP CHECKED: ENGINEER: APPROVAL: CUSTOMER:	DATE 06NOV13
MATERIAL SPECIFICATIONS:		<p>Sine Systems - www.amphenol-sine.com 44724 Morley Drive Clinton Township, MI 48036</p>	
PROCESS SPECIFICATIONS:		THIS DRAWING IS SUPPLIED FOR INFORMATION ONLY. DESIGN FEATURES, SPECIFICATIONS AND PERFORMANCE DATA SHOWN HEREON ARE THE PROPERTY OF THE AMPHENOL CORPORATION. NO RIGHTS OF REPRODUCTION ARE IMPLIED. ALL DIMENSIONS ARE SUBJECT TO NORMAL MANUFACTURING VARIATIONS.	
NEXT ASSY:		SIZE A	TYPE C-
		DWG NO: AHDC169-TMOBD**	REVISION A2
		SCALE: NONE	SHEET 1 OF 1