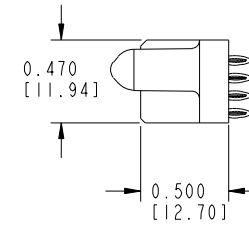
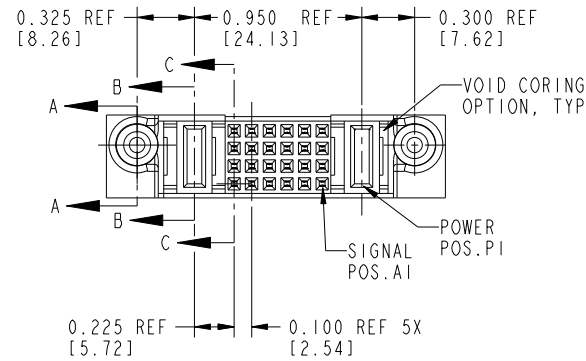
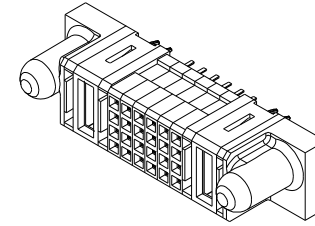
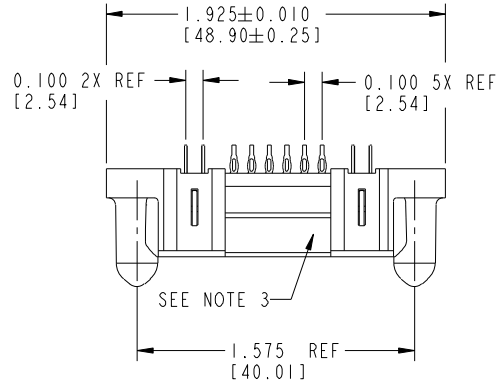


Tous droits strictement reserves. Reproduction ou communication a des tiers interdite sous quelque forme que ce soit sans autorisation écrite du propriétaire. Propriete de c FCI. Droits de reproduction FCI.



All rights strictly reserved. Reproduction or issue to third parties in any form whatever is not permitted without written authority from the proprietor. Property of FCI. Copyright FCI.

PRODUCT NUMBER
51666-001--
Note: ②



mat'l code				NOTE 1		tolerances unless otherwise specified		CUSTOMER		FCI	
ltr	ecn no.	dr	date	linear	.XX±.01/0.X±0.3	projection	COPY	www.fciconnect.com		title	
A	V91433	CHB	06-29-99		.XXX±.005/0.XX±0.13			IP + 24S + IP		VERTICAL PRESSFIT RECEPTACLE	
B	V00795	EKK	03-27-00	angles	.XXXX±.0020/.XXX±.051			product family		code	
C	V01861	EKK	06-26-00		0°±2°			PWRBLADE		213	
D	DG05-0171	GuoJM	06/19/05	dr				size		sheet	
E	DG05-0390	GuoJM	10/14/05	enrg				dwg no		1 of 4	
F	DG07-0193	JMG	05/11/07	chr				51666			
				appd				A			
sheet index	revision sheet	F 1	F 2	F 3	F 4			scale			
		1	2	3	4			1:1			

1 | 2

Pro/E

3 |

cage code 22526

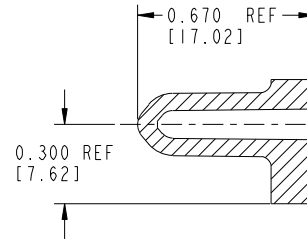
4

Tous droits strictement réservés. Reproduction ou communication à des tiers interdite sous quelque forme que ce soit sans autorisation écrite du propriétaire. Propriété de c.FCI. Droits de reproduction FCI.

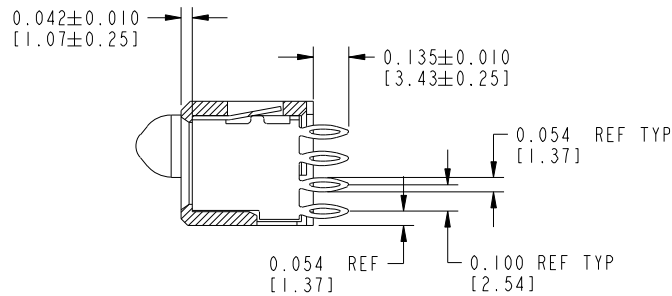


All rights strictly reserved. Reproduction or issue to third parties in any form whatever is not permitted without written authority from the proprietor. Property of FCI. Copyright FCI.

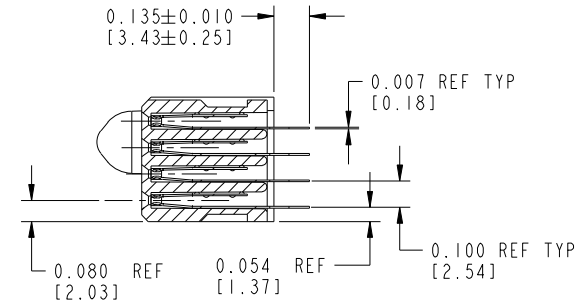
PRODUCT NUMBER
51666-001--
NOTE: (2)



SECTION A-A
SCALE 3:2



SECTION B-B



SECTION C-C
SCALE 3:2

mat'l code				tolerances unless otherwise specified		CUSTOMER		 www.fciconnect.com	
ltr	ecn no.	dr	date	linear	.XX±.01/0.XX±0.3	COPY		title	
F					.XXX±.005/0.XX±0.13	projection		IP + 24S + IP	
				angles	.XXX±.0020/.XXX±.051			VERTICAL PRESSFIT RECEPTACLE	
					0°±2°	INCH/MM		product family	
				dr	C. BAROT 06-29-99	scale		PWRBLADE	
				enr	J. BROWN 06-29-99	3:2		code	
				chr	J. BROWN 06-29-99	A		213	
				appd	J. BROWN 06-29-99	size		sheet	
sheet index		revision sheet				51666		2	

cage code 22526

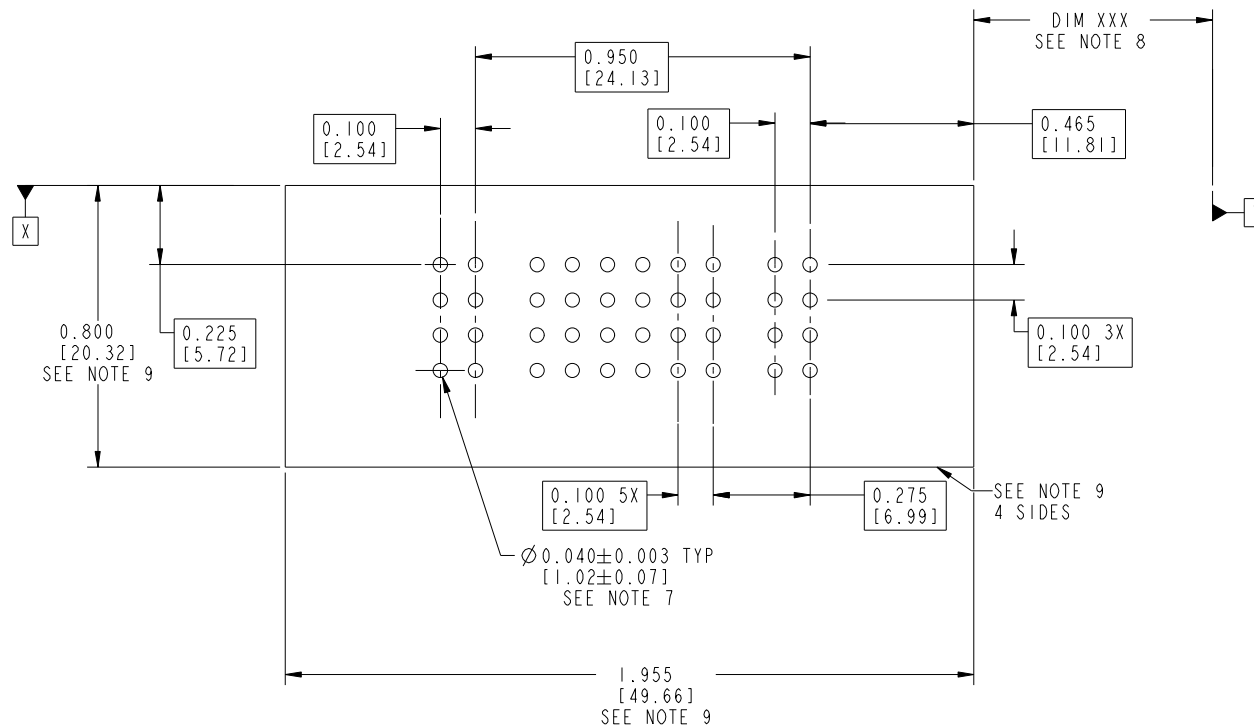
Pro/E

Tous droits strictement reserves. Reproduction ou communication a des tiers interdite sous quelque forme que ce soit sans autorisation écrite du propriétaire. Propriete de c FCI. Droits de reproduction FCI.



All rights strictly reserved. Reproduction or issue to third parties in any form whatever is not permitted without written authority from the proprietor. Property of FCI. Copyright FCI.

PRODUCT NUMBER
51666-001-
NOTE: (2)



RECOMMENDED PCB LAYOUT

mat'l code		-		tolerances unless otherwise specified		CUSTOMER			
lfr	ecn no.	dr	date	linear	.XX±.01/0.XX±0.3	COPY		www.fciconnect.com	
F				linear	.XXX±.005/0.XX±0.13	projection		title IP + 24S + IP	
				angles	.XXX±.0020/.XXX±.051			VERTICAL PRESSFIT RECEPTACLE	
				dr	0°±2°	INCH/MM		product family PWRBLADE code 213	
				enr	C. BAROT 06-29-99	scale 2:1		size dwg no 51666 sheet 3	
				chr	J. BROWN 06-29-99				
				appd	J. BROWN 06-29-99				
sheet index	revision sheet								

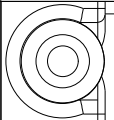
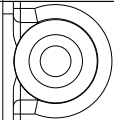
form no. 7530-001-103

Pro/E

cage code 22526

Tous droits strictement reserves. Reproduction ou communication a des tiers interdite sous quelque forme que ce soit sans autorisation écrite du propriétaire. Propriete de c FCI. Droits de reproduction FCI.

All rights strictly reserved. Reproduction or issue to third parties in any form whatever is not permitted without written authority from the proprietor. Property of FCI. Copyright FCI.


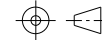
PRODUCT No.	ROWS	1 2										3			4					
		E2	POWER		SIGNAL						POWER		E1	ITEM NO.		QTY	CONTACT TYPE			
51666-001 NOTE: (2)	D		PC	6	5	4	3	2	1	PC		F	F	F	F	F	F	F	24	SIGNAL
	C			F	F	F	F	F	F			PC	2	POWER						
	B																			
	A																			

CONNECTOR NOTES:

- HOUSING MATERIAL: GLASS FILLED HIGH TEMP THERMOPLASTIC
FLAME RETARDANT PER UL94 V-0
SIGNAL CONTACT MATERIAL: COPPER ALLOY
POWER CONTACT MATERIAL: COPPER ALLOY
- 51666-001;51666-001LF PLATING SPEC. SEE PRINT:10064183
- MANUFACTURER NAME, P/N, AND DATE CODE TO APPEAR ON THIS SURFACE.

PCB NOTES:

- ALL DIMENSIONS ARE BASIC UNLESS OTHERWISE SPECIFIED
- ALL THROUGH HOLES ARE LOCATED WITH A TRUE POSITION OF 0.004"
- ALL DIAMETERS ARE FINISHED HOLE SIZES
- $\varnothing .0453 \pm .0010 [1.151 \pm 0.025]$ DRILLED HOLES, PLATED WITH $.0003 [0.008]$ MIN. SnPb OR Sn OVER $.001 [0.03]$ TO $.003 [0.08]$ Cu PLATING TO ACHIEVE A $\varnothing .040 \pm .003 [1.02 \pm 0.07]$ HOLE.
- "DIM XXX" TO BE DETERMINED BY THE CUSTOMER.
- MECHANICAL CONNECTOR STAY-AWAY ZONE.

mat'l code				tolerances unless otherwise specified				CUSTOMER			
ltr	ecr no.	dr	date	linear	.XX±.01/.0.X±0.3			COPY		www.ficconnect.com	
F					.XXX±.005/.0.XX±0.13			projection		title IP + 24S + IP	
				angles	.XXX±.0020/.XXX±.051					VERTICAL PRESSFIT RECEPTACLE	
				dr	0°±2°			INCH/MM		product family PWRBLADE code 213	
				enr	C. BAROT 06-29-99			scale		size dwg no 51666 sheet 4	
				chr	J. BROWN 06-29-99			2:1			
				appd	J. BROWN 06-29-99						
sheet index		revision sheet									

cage code 22526

Pro/E