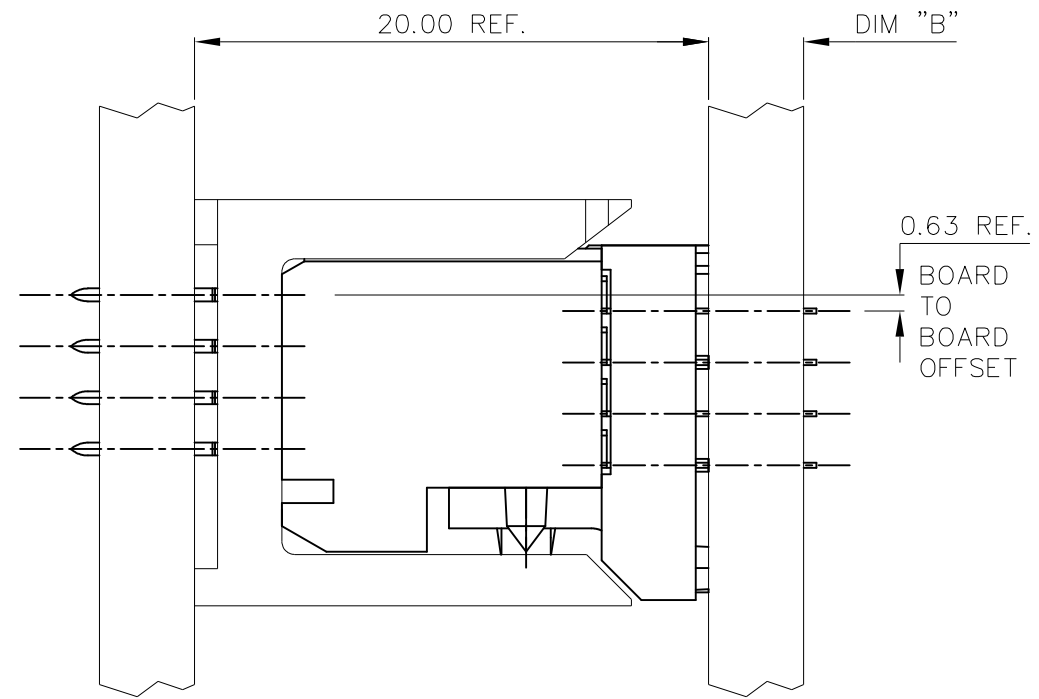
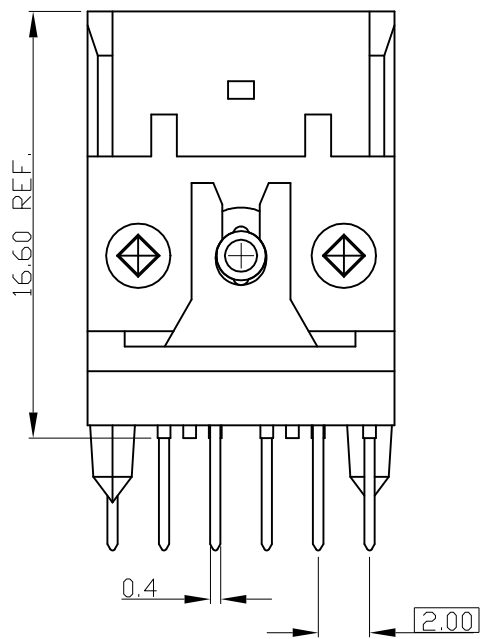
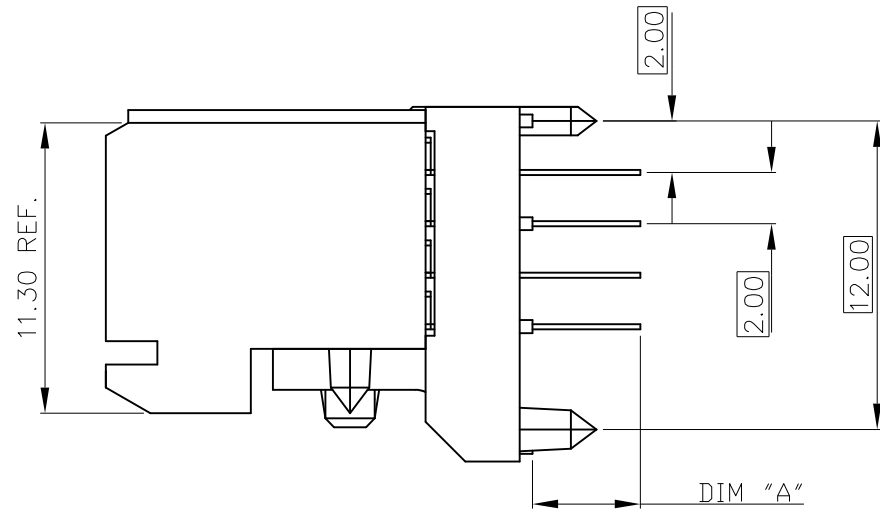
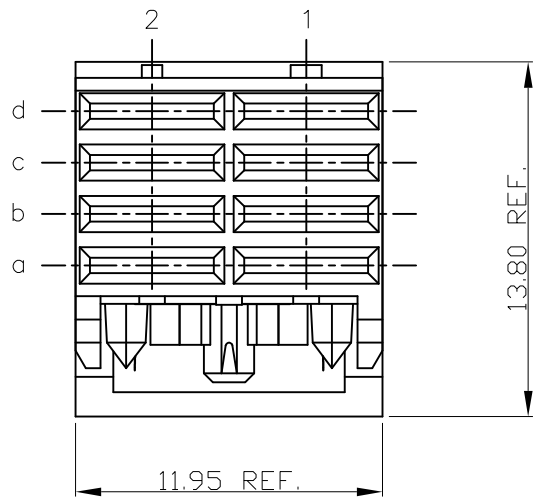


PRODUCT NUMBER
93239-X1Y
93239-X1YLF



Amphenol FCI

© 2016 AFCI

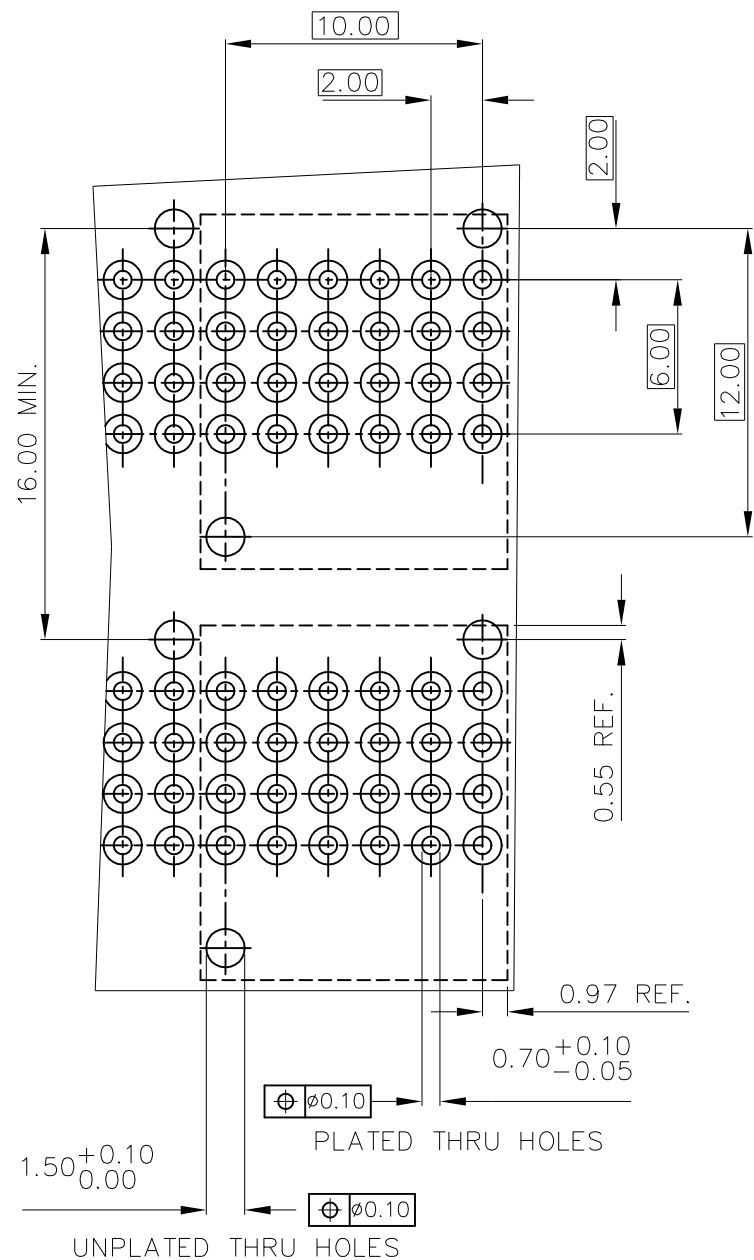
PRODUCT NR:	PLATING CONTACT AREA:	UNDERPLATING
93239-1YYY	0.76 um GOLD OR GXT	1.3 um Ni MIN.
93239-2YYY	2 um GOLD	1.3 um Ni MIN.
93239-3YYY	1.3 um GOLD	1.3 um Ni MIN.
93239-9YYY	0.76 um GXT	1.3 um Ni MIN.
93239-1YYYLF	0.76 um GOLD	1.3 um Ni MIN.
93239-2YYYLF	2 um GOLD	1.3 um Ni MIN.
93239-3YYYLF	1.3 um GOLD	1.3 um Ni MIN.
93239-9YYYLF	0.76 um GXT	1.3 um Ni MIN.

mat'l. code				surface ISO 1302 ✓		tolerance ISO 406 ISO 1101		projection MM		product family METRAL (tm)	
ltr	ecn no	dr	date	tolerances unless otherwise specified						title VERT. PWR. RECEPT. ASS'Y 4X2	
E	V01598	JWS	12/07/00	angles	linear	.X ±.3					
F	V03-0723	LP	0825'03	0±2°		.XX ±.10					
G	V05-1101	JRV	12/5/05			.XXX ±.050		scale 1:1			
H	DG08-0171	TER	9/3/08	dr	STU STONGER	2/10/94				dwg no 93239	
J	ELX-N-26608	MZ	3/22/17	enr	R. DOUTRICH	2/10/94				sheet 1 of 2 A3	
				chr	STU STONGER	2/10/94				size	
				appd	STU STONGER	2/10/94				Drawing	
sheet index		revision sheet		J	J						
				1	2						

PRODUCT NUMBER	DIM "A" TAIL LGTH.	DIM "B" PCB THK.
93239-X11	2.65 REF.	1.6
93239-X12	3.45 REF.	2.4
93239-X13	4.25 REF.	3.2
93239-X11LF	2.65 REF.	1.6
93239-X12LF	3.45 REF.	2.4
93239-X13LF	4.25 REF.	3.2

NOTES:

- ① CONNECTOR MATERIALS:  
HOUSING: LCP, 30% GLASS FILLED, UL 94-V0 COMPLIANT  
TERMINAL: PHOSPHOR BRONZE ALLOY
2. PLATING ON TAIL:  
SOLDER-TO-BOARD TYPE  
93239-XXX IS 2-8um SnPb  
93239-XXYLF IS 2-8um Sn (LEAD FREE)
3. PRODUCT SPECIFICATION:  
GS-12-002
4. APPLICATION SPECIFICATIONS:  
BUS-20-059  
GS-20-001  
TA-941
- ⑤ PRODUCT MARKING: (PART NUMBER & LOT CODE).
- ⑥ INDICATED HOLES ARE UNPLATED.
- ⑦ LOCATION PEG FEATURES MAY NOT BE AVAILABLE AS SHOWN FOR ASSYS W/ PRESS PEGS.
- ⑧ TOP SURFACE OF PRESS BLOCK MAY EXTEND UP TO 0.4MM HIGHER THAN HOUSING. THIS MAY AFFECT THE TAIL LENGTH BEFORE APPLICATION TO A BOARD.
- ⑨ DIMENSION APPLIES TO BOTH PRESS-FIT AND SOLDER TAIL TERMINATIONS.
10. THESE PRODUCTS WHERE THE PART NUMBER ENDS IN "LF" MEET THE EUROPEAN UNION DIRECTIVES AND OTHER COUNTRY REGULATIONS AS DESCRIBED IN GS-22-008.  
  
ALL PRODUCTS MANUFACTURED BEFORE APRIL 2006 WILL WITHSTAND EXPOSURE TO 240°C FOR 60 SECONDS IN A CONVECTION, INFAR-RED OR VAPOR PHASE REFLOW OVEN.  
  
ALL PRODUCTS MANUFACTURED AFTER MARCH 2006 WILL WITHSTAND EXPOSURE TO 260°C FOR 60 SECONDS IN A CONVECTION, INFAR-RED OR VAPOR PHASE REFLOW OVEN.
- ⑪ FOR LEAD FREE PART NUMBERS ADD "LF" SUFFIX. EXAMPLE: 93239-XXXXLF.



RECOMMENDED HOLE PATTERN  
COMPONENT SIDE

mat'l. code		surface ISO 1302 ✓		tolerance ISO 406 ISO 1101		projection		product family METRAL (tm)	
ltr	ecn no	dr	date	tolerances unless otherwise specified		MM		title	
J				angles	linear	.X ±.3 .XX ±.10 .XXX ±.050		VERT. PWR. RECEPT. ASS'Y 4X2	
				0±2°		scale 1:1		dwg no sheet 2 of 2 size	
				dr	J.R. VOLSTORF	12/5/05	Amphenol FCI	93239 A3	
				enr	J.R. VOLSTORF	12/5/05		type Product Customer Drawing	
				chr	J.R. VOLSTORF	12/5/05			
				appd	J.R. VOLSTORF	12/5/05			
sheet index	revision sheet								