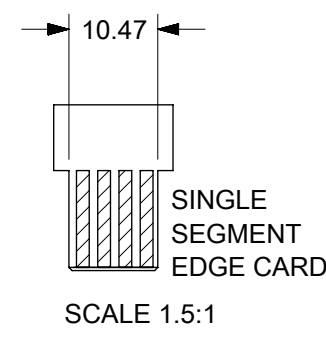
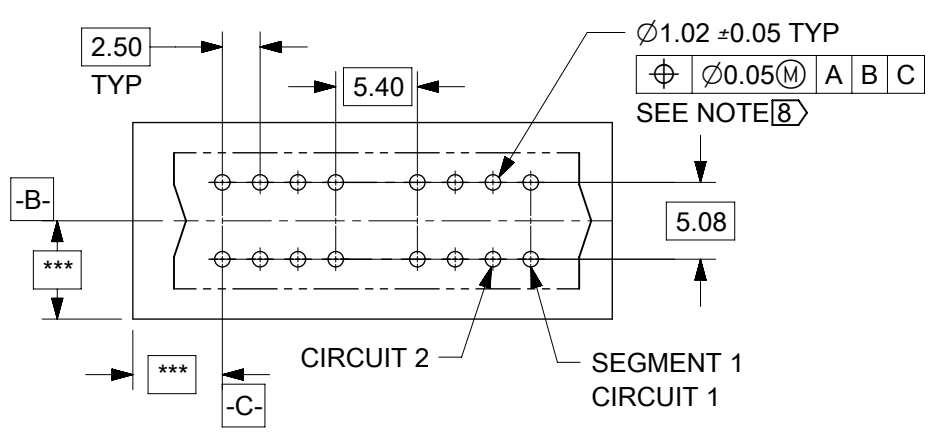


SINGLE SEGMENT MODULE 45844-1000 SCALE 1.5:1

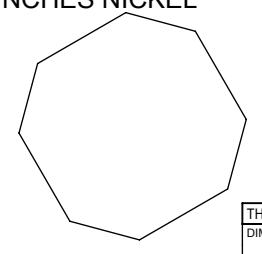


SINGLE SEGMENT EDGE CARD SCALE 1.5:1



PCB LAYOUT: COMPONENT SIDE
*** = TO BE DETERMINED BY CUSTOMER

RECOMMENDED EDGE CARD LAYOUT
EDGE CARD THICKNESS: 1.57 / .062
PLATING: GOLD 30 uINCHES MIN
OVER 150 uINCHES NICKEL



- NOTES:
- HOUSING MATL: LCP. UL94V-0, BLACK
TERMINAL MATL: COPPER ALLOY
 - FINISH: SELECT GOLD: 30 M.I. MIN IN CONTACT AREA
SELECT TIN: 150 M.I. MIN IN SOLDER AREA
BOTH OVER NICKEL: 50 M.I. MIN
 - PRODUCT SPECIFICATION: PS-45719-001.
 - PACKAGING SPECIFICATION: ES-45714-001.
 - PCB THICKNESS: SEE CHART
 - EDGE CARD THICKNESS: 1.57±0.08
 - DIMENSIONS GIVEN ACROSS CENTERLINES ARE SYMMETRICAL ABOUT THOSE CENTERLINES WITHIN HALF THE TOTAL TOLERANCE
 - PCB HOLE SPECIFICATION: SEE PS-45719-001.
 - THIS EDGE WILL TOUCH HOUSING WHEN EDGE CARD IS FULLY SEATED

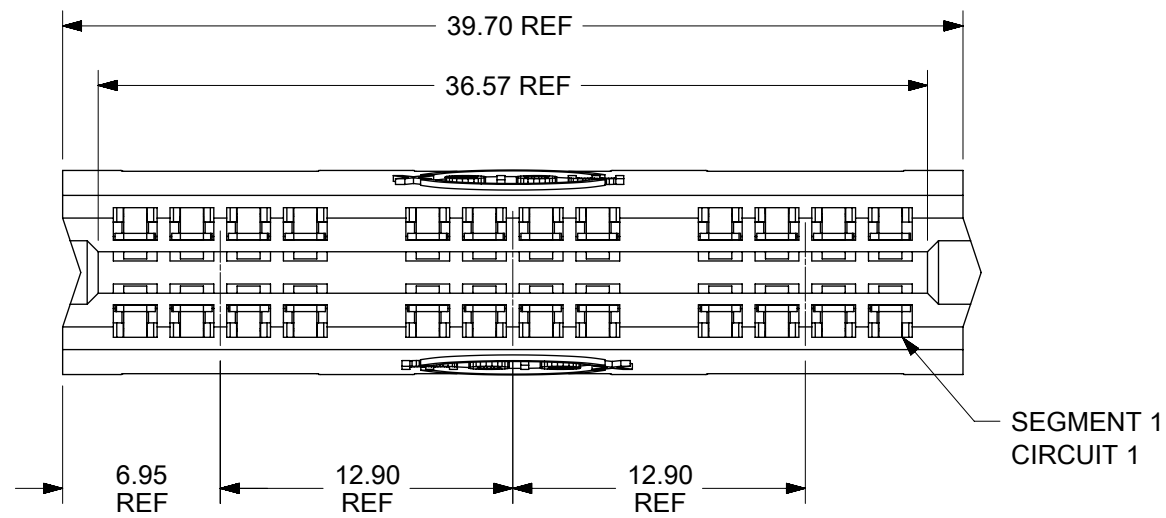
	MATERIAL NUMBER	SEG'S	DIM P	PCB THK
	45844-1000	1	4.33	3.18/2.36
	45844-1001	1	2.91	1.57
	45844-0001	2	4.33	3.18/2.36
	45844-0004	2	2.91	1.57

THIS DRAWING CONTAINS INFORMATION THAT IS PROPRIETARY TO MOLEX ELECTRONIC TECHNOLOGIES, LLC AND SHOULD NOT BE USED WITHOUT WRITTEN PERMISSION

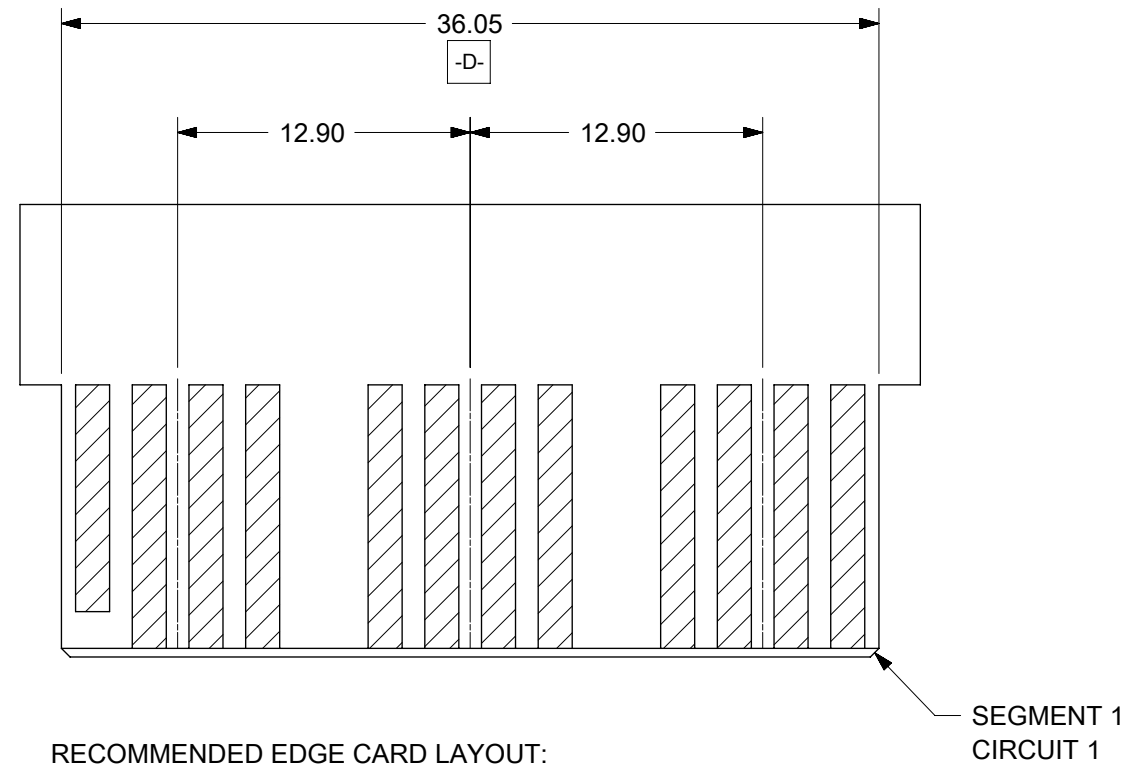
DIMENSION UNITS MM	SCALE 2:1	CURRENT REV DESC: TAIL LENGTH UPDATE	
GENERAL TOLERANCES (UNLESS SPECIFIED)		EC NO: 611748	
ANGULAR TOL	± 0.5°	DRWN: MBELLE	2019/06/21
4 PLACES	±	CHK'D: MBELLE	2019/07/16
3 PLACES	±	APPR: HTHYAGARAJ	2019/07/26
2 PLACES	± 0.25	INITIAL REVISION:	
1 PLACE	±	DRWN: MARGULIS	2004/07/29
0 PLACES	±	APPR: MARGULIS	2004/07/29
DRAFT WHERE APPLICABLE MUST REMAIN WITHIN DIMENSIONS	THIRD ANGLE PROJECTION	DRAWING	SERIES
		B-SIZE	45844

molex			
POWER EDGE ASSEMBLY SIGNAL VERTICAL SOLDER TAIL			
PRODUCT CUSTOMER DRAWING			
DOCUMENT NUMBER	DOC TYPE	DOC PART	REVISION
SD-45844-001	PSD	001	F6
MATERIAL NUMBER	CUSTOMER	SHEET NUMBER	
SEE CHART	GENERAL MARKET	1 OF 3	

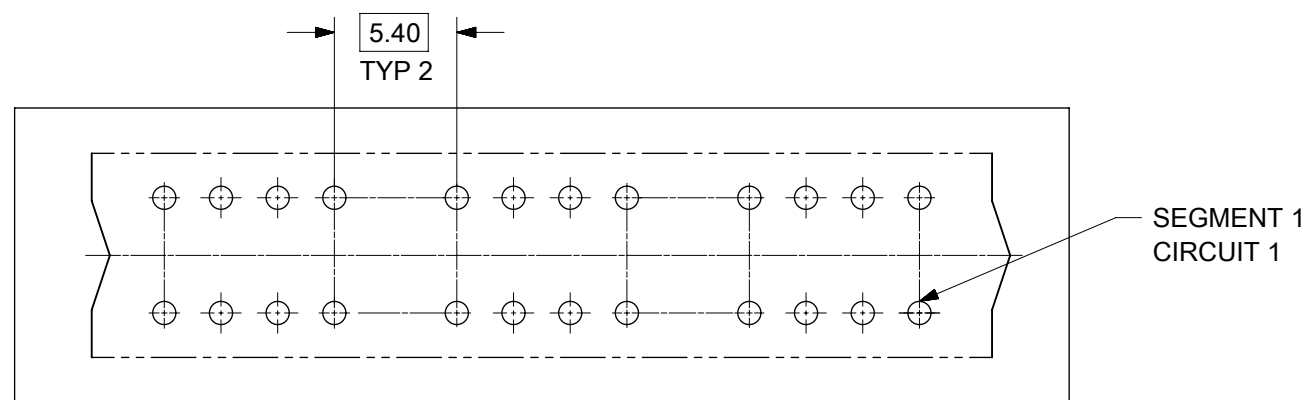
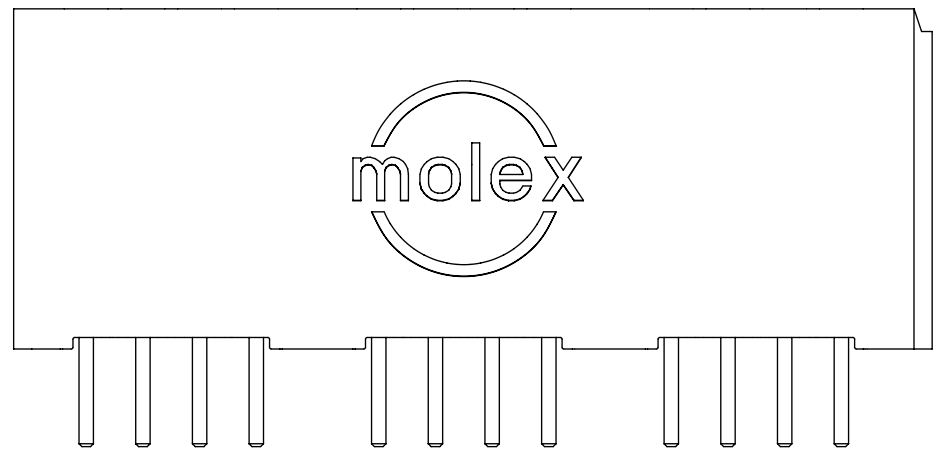
DOCUMENT STATUS	RELEASE DATE
-----------------	--------------



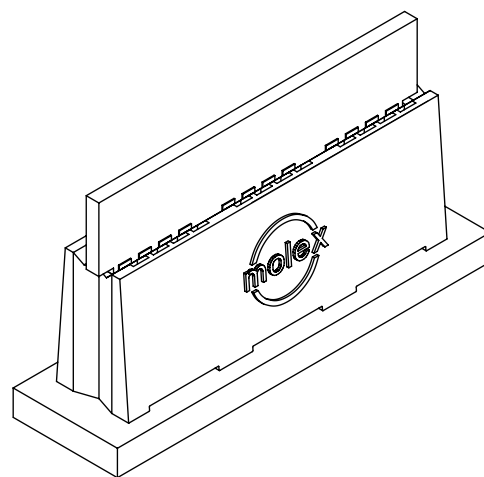
SEE SHEET ONE FOR NOTES AND DIMENSIONS NOT SHOWN



RECOMMENDED EDGE CARD LAYOUT:
TOLERANCE: ±0.05



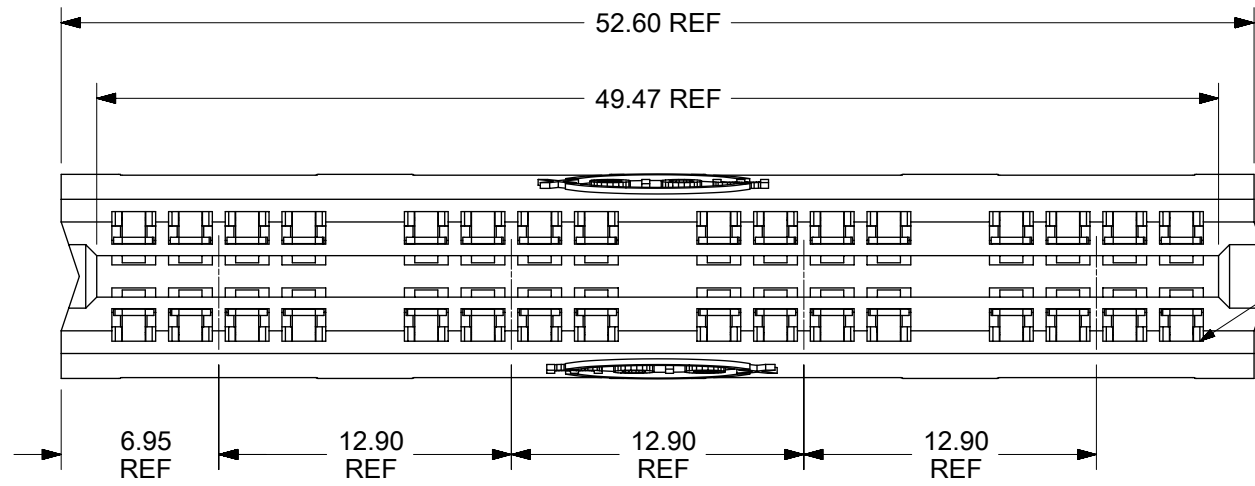
PCB LAYOUT: COMPONENT SIDE



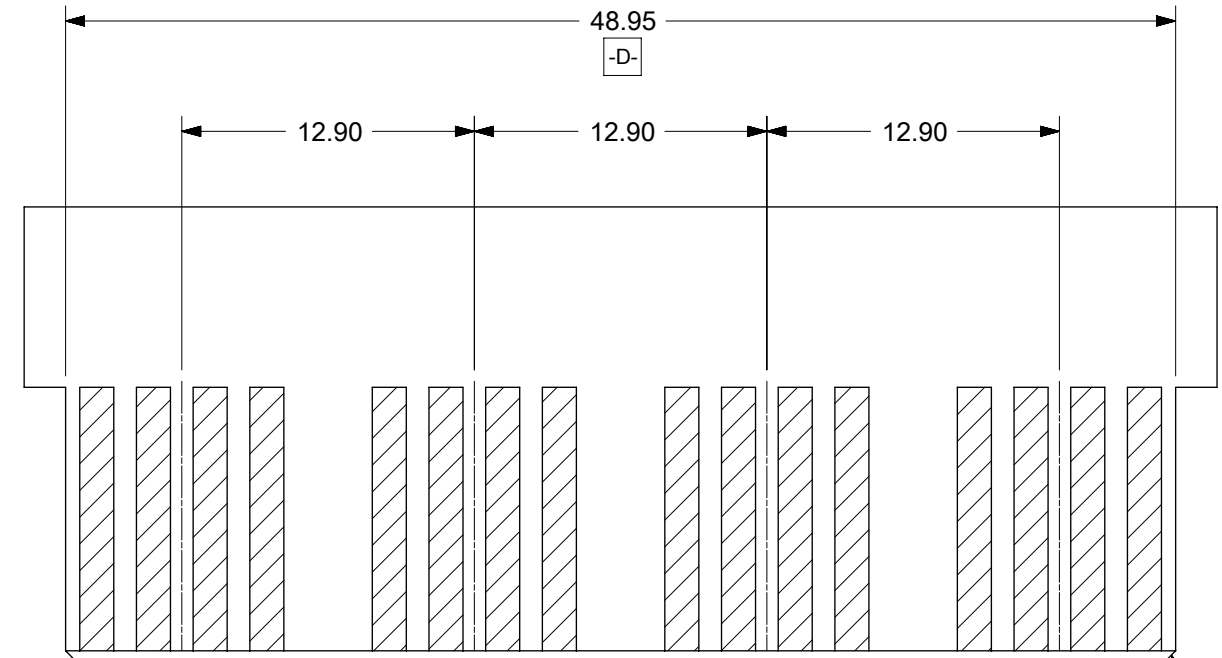
TOOLING STATUS	MATERIAL NUMBER	SEG'S	DIM P	PCB THICK
TOOLED	45844-0002	3	4.33	3.18/2.36
TOOLED	45844-0005	3	2.91	1.57

THIS DRAWING CONTAINS INFORMATION THAT IS PROPRIETARY TO MOLEX ELECTRONIC TECHNOLOGIES, LLC AND SHOULD NOT BE USED WITHOUT WRITTEN PERMISSION										
DIMENSION UNITS MM	SCALE 2:1	CURRENT REV DESC: TAIL LENGTH UPDATE								
GENERAL TOLERANCES (UNLESS SPECIFIED)		<p>molex</p> <p>POWER EDGE ASSEMBLY SIGNAL VERTICAL SOLDER TAIL</p> <p>PRODUCT CUSTOMER DRAWING</p>								
ANGULAR TOL	± 0.5°									
4 PLACES	±									
3 PLACES	±									
2 PLACES	± 0.25									
1 PLACE	±	INITIAL REVISION:		<p>DOCUMENT NUMBER: SD-45844-001</p> <p>DOC TYPE: PSD DOC PART: 001 REVISION: F6</p>						
0 PLACES	±	DRWN: MARGULIS		2004/07/29		MATERIAL NUMBER: SEE CHART				
DRAFT WHERE APPLICABLE MUST REMAIN WITHIN DIMENSIONS		THIRD ANGLE PROJECTION		DRAWING: B-SIZE		SERIES: 45844		CUSTOMER: GENERAL MARKET		SHEET NUMBER: 2 OF 3

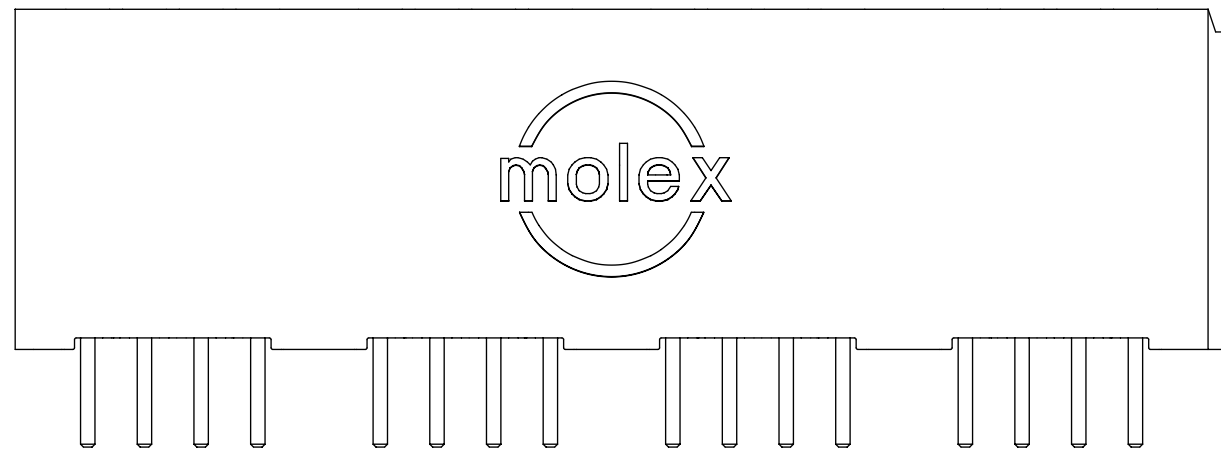
SEE SHEET ONE FOR NOTES AND DIMENSIONS NOT SHOWN



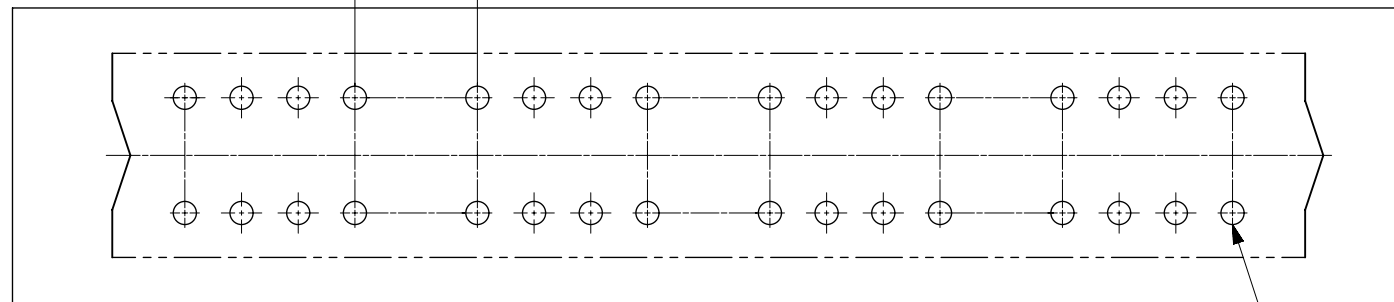
SEGMENT 1
CIRCUIT 1



SEGMENT 1
CIRCUIT 1



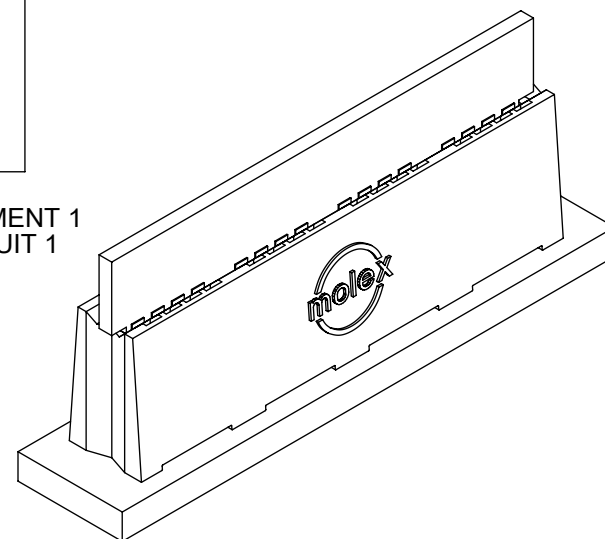
5.40
TYP 3



PCB LAYOUT: COMPONENT SIDE

SEGMENT 1
CIRCUIT 1

RECOMMENDED EDGE CARD LAYOUT
TOLERANCE: ±0.05



TOOLING STATUS	MATERIAL NUMBER	SEG'S	DIM P	PCB THK
TOOLED	45844-0003	4	4.33	3.18/2.36
TOOLED	45844-0006	4	2.91	1.57

THIS DRAWING CONTAINS INFORMATION THAT IS PROPRIETARY TO MOLEX ELECTRONIC TECHNOLOGIES, LLC AND SHOULD NOT BE USED WITHOUT WRITTEN PERMISSION									
DIMENSION UNITS MM	SCALE 2:1	CURRENT REV DESC: TAIL LENGTH UPDATE							
GENERAL TOLERANCES (UNLESS SPECIFIED)		EC NO: 611748		<p>POWER EDGE ASSEMBLY SIGNAL VERTICAL SOLDER TAIL</p>					
ANGULAR TOL	± 0.5°	DRWN: MBELLE 2019/06/21							
4 PLACES	±	CHK'D: MBELLE 2019/07/16							
3 PLACES	±	APPR: HTHYAGARAJ 2019/07/26		PRODUCT CUSTOMER DRAWING					
2 PLACES	± 0.25	INITIAL REVISION:		DOCUMENT NUMBER		DOC TYPE	DOC PART	REVISION	
1 PLACE	±	DRWN: MARGULIS 2004/07/29		SD-45844-001		PSD	001	F6	
0 PLACES	±	APPR: MARGULIS 2004/07/29		MATERIAL NUMBER		CUSTOMER		SHEET NUMBER	
DRAFT WHERE APPLICABLE MUST REMAIN WITHIN DIMENSIONS	THIRD ANGLE PROJECTION	DRAWING	SERIES	MATERIAL NUMBER	CUSTOMER		SHEET NUMBER		
		B-SIZE	45844	SEE CHART	GENERAL MARKET		3 OF 3		