

4

3

2

1

THIS DRAWING IS UNPUBLISHED.

RELEASED FOR PUBLICATION

20

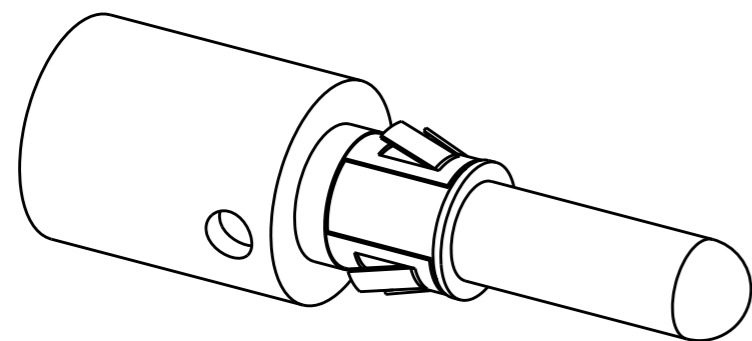
© COPYRIGHT 20

BY TYCO ELECTRONICS CORPORATION. ALL INTERNATIONAL RIGHTS RESERVED.

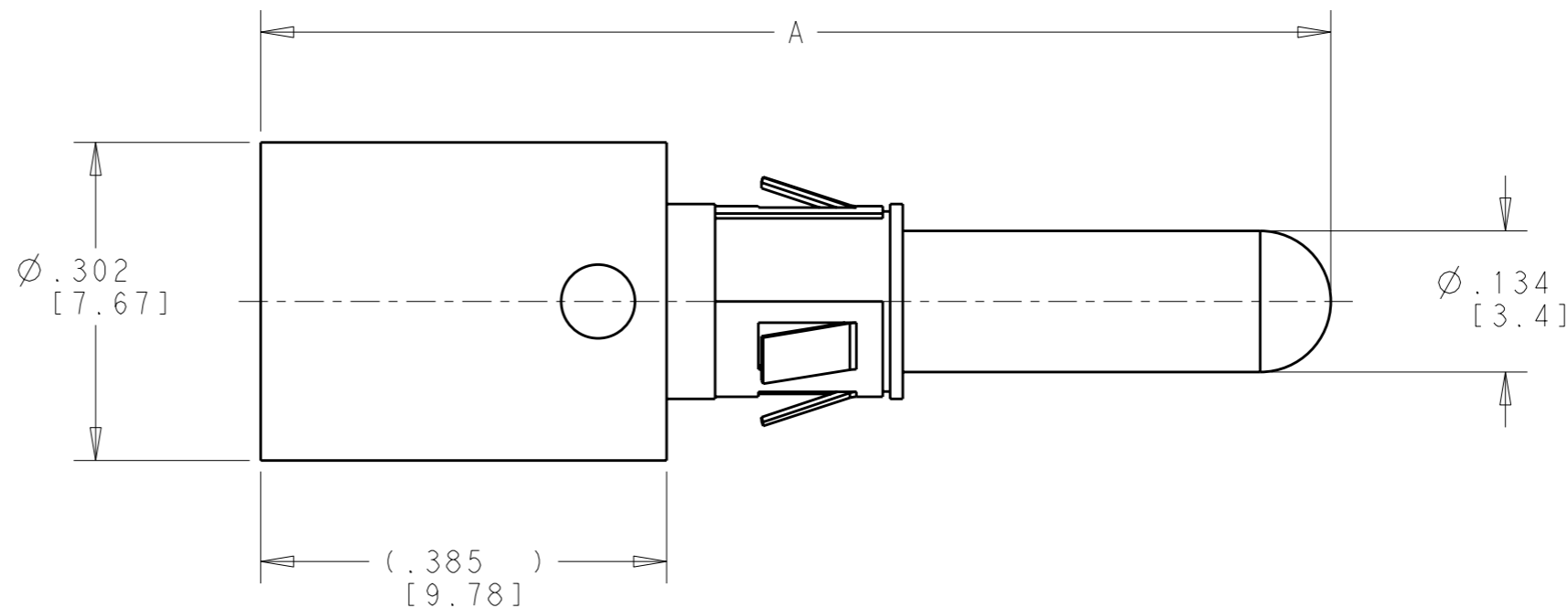
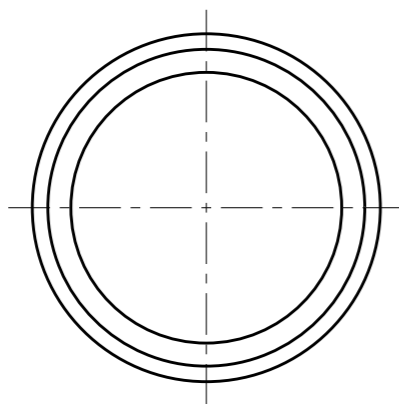
LOC GP DIST 00

REVISIONS

| P | LTR | DESCRIPTION                | DATE      | DWN | APVD |
|---|-----|----------------------------|-----------|-----|------|
|   | A   | RELEASED PER ECO-10-010387 | 24MAY2010 | RG  | DO   |
|   |     |                            |           |     |      |
|   |     |                            |           |     |      |



SCALE 4:1



1 MATERIAL:  
 PIN BODY: COPPER ALLOY  
 RETENTION CLIP: STAINLESS STEEL

2 FINISH:  
 PIN BODY: GOLD PLATE .000030 (0.76µm) MIN THK GOLD OVER  
 .000050 (1.27µm) MIN THK NICKEL

3. WIRE BARREL WILL ACCEPT No. 6 AWG WIRE

4. MATES WITH P/N 1986611-1

|              |           |
|--------------|-----------|
| 1.015 [25.8] | 1986605-2 |
| .975 [24.8]  | 1986605-1 |
| DIM "A"      | PART NO.  |

|   |  |   |                 |  |                 |
|---|--|---|-----------------|--|-----------------|
| <small>THIS DRAWING IS A CONTROLLED DOCUMENT FOR TYCO ELECTRONICS CORPORATION<br/>         IT IS SUBJECT TO CHANGE AND THE CONTROLLING ENGINEERING ORGANIZATION<br/>         SHOULD BE CONTACTED FOR THE LATEST REVISION.</small> |  | DWN R.GRZYBOWSKI 15DEC2009<br>CHK G.STEINHAUER 15DEC2009<br>APVD M.PERCHERKE 15DEC2009  |                 | Tyco Electronics<br>Harrisburg, PA 17105-3608    |                 |
| DIMENSIONS:<br>INCHES [mm]  |  | TOLERANCES UNLESS OTHERWISE SPECIFIED:<br>0 PLC ±-<br>1 PLC ±-<br>2 PLC ±.02 [0.5]<br>3 PLC ±.010 [0.25]<br>4 PLC ±-<br>ANGLES ±- |                 | NAME<br>PIN, POWER<br>MODIFIED No.6 AWG          |                 |
| MATERIAL - 1  |  | FINISH 2  |                 | PRODUCT SPEC -<br>APPLICATION SPEC -<br>WEIGHT - |                 |
| CUSTOMER DRAWING  |  | SIZE A3   | CAGE CODE 00779 | DRAWING NO C-1986605                             | RESTRICTED TO - |
|   |  | SCALE 6:1   | SHEET 1 OF 1    | REV A  |                 |