

注記 NOTES

1. 使用材料 MATERIAL  
 ハウジング HOUSING : LCP , UL94V-0  
 アクチュエータ ACTUATOR : PA 46 , UL94V-0  
 ターミナル : リン青銅 (t=0.12) , 錫・ビスマス (2%) , ニッケル下地  
 TERMINAL : PHOSPHOR BRONZE , TIN- 2% BISMUTH OVER NICKEL PLATING.  
 金具 : リン青銅 (t=0.2) , 錫メッキ , ニッケル下地  
 STOPPER : PHOSPHOR BRONZE , TIN OVER NICKEL PLATING.
2.  $\Delta$  ソルダーテール半田付け面のズレ量は、基準面 R に対し、  
 上方向 OMAX , 下方向 0.1 MAX. とする。  
 又、相互のバラツキ量は 0.1 MAX. とする。  
 MISALIGNMENT OF SOLDER TAILS AND FITTING NAILS FROM R  
 UPPER DIRECTION : 0 MAX. , LOWER DIRECTION : 0.1 MAX.  
 OFFSET BETWEEN SOLDER TAILS AND FITTING NAILS : 0.1 MAX.
3. 一般公差 :  $\pm 0.3$   
 GENERAL TOLERANCES :  $\pm 0.3$
4. 本製品は 54809-\*\*\*27 の鉛フリー品である。  
 THIS PRODUCT IS LEAD FREE OF 54809-\*\*\*27

12.0	11.4	10.8	14.0	54809-3998	54809-3928	39
9.6	9.0	8.4	11.6	54809-3198	54809-3128	31
D	C	B	A	EMBOSSED TAPE ORDER No. オート番号		MATERIAL NO. CKT.

54809-***28				MODEL NO.		
SCALE ---				DESIGN UNITS METRIC		
				THIRD ANGLE PROJECTION		

0.3 FPC CONN E/O  
 HSG ASSY (H=1.3)  
 -LEAD FREE-



SEE TABLE SD-54809-036 1 OF 2

THIS DRAWING CONTAINS INFORMATION THAT IS PROPRIETARY TO MOLEX INCORPORATED AND SHOULD NOT BE USED WITHOUT WRITTEN PERMISSION

REVISED EC NO: J2014-1477 DRWN: YOSHII 2014/03/31 CHKD: YKOBAYASHI 02 2014/03/31 APPR: YNOGAWA 2014/04/17	GENERAL TOLERANCES (UNLESS SPECIFIED)		DIMENSION STYLE MM ONLY		SCALE ---	
	10 UNDER	$\pm$ ---	DRAWN BY	DATE	TITLE	
	10 OVER 30 UNDER	$\pm$ ---	CHECKED BY	DATE	0.3 FPC CONN E/O HSG ASSY (H=1.3) -LEAD FREE-	
	30 OVER	$\pm$ ---	APPROVED BY	DATE	Molex	
	ANGULAR $\pm$ --- °	DRAFT WHERE APPLICABLE MUST REMAIN WITHIN DIMENSIONS		MATERIAL NO.		DOCUMENT NO.
		SIZE A3		SEE TABLE		

10 9 8 7 6 5 4 3 2 1

F

E

D

C

B

A

F

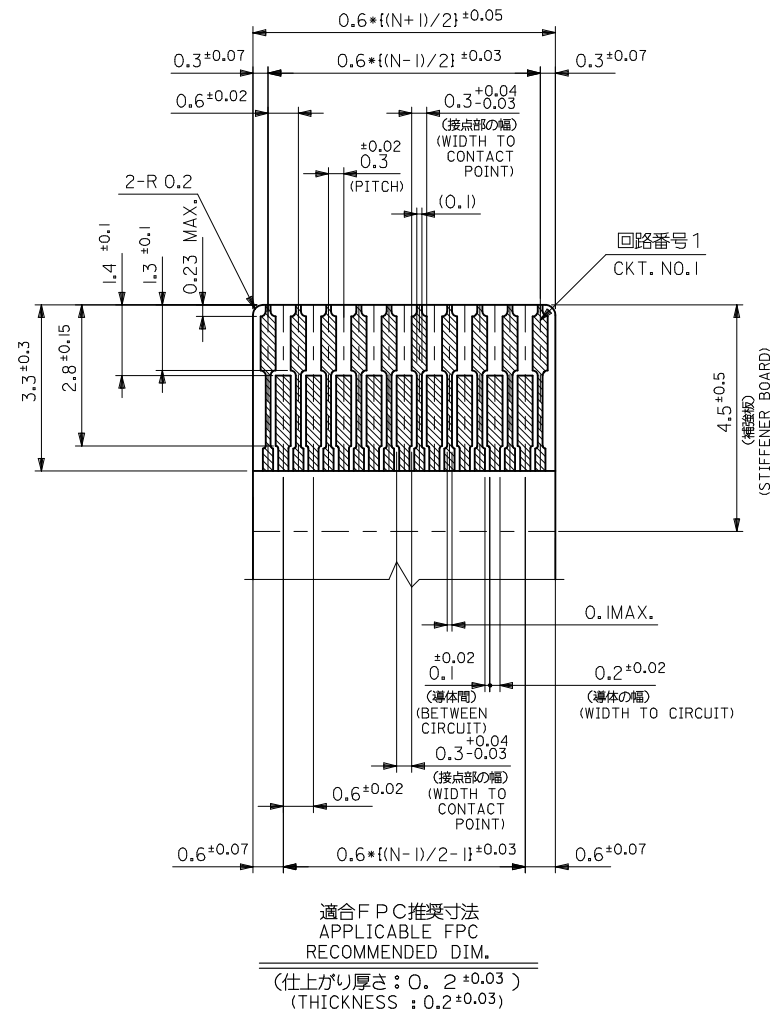
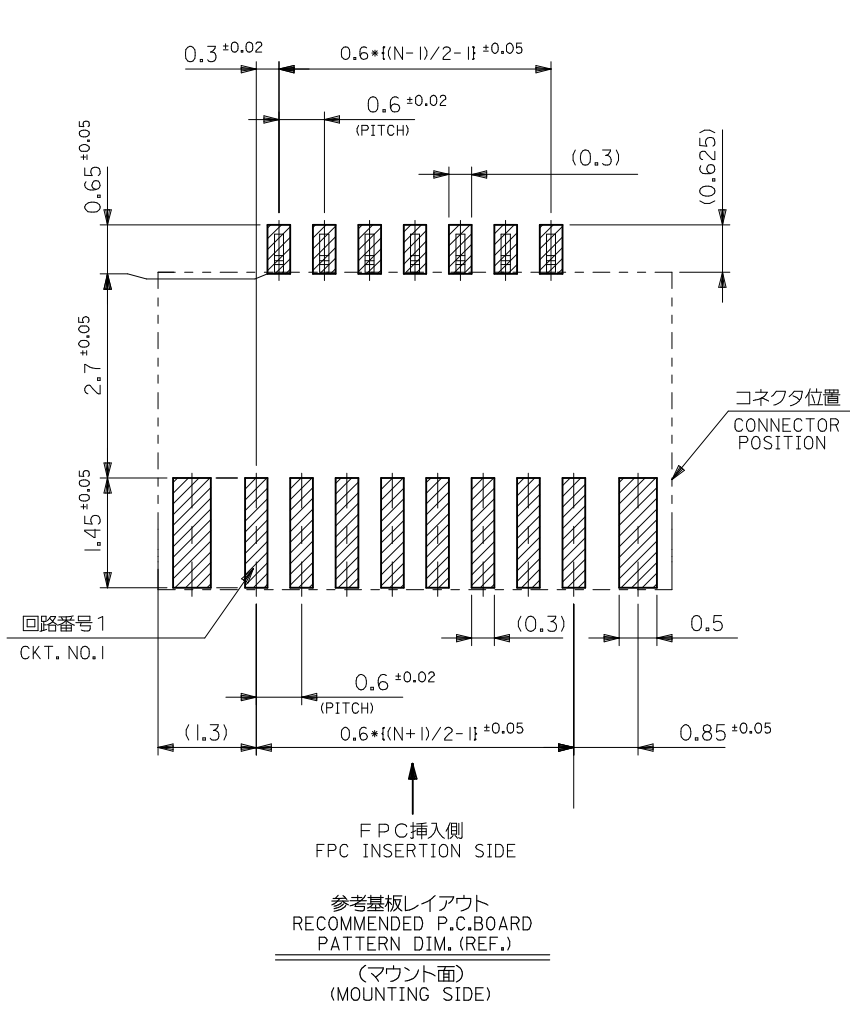
E

D

C

B

A



FPCについて:

打抜き方向は、導体側から補強板側を推奨いたします。  
補強フィルム材質は、ポリイミドを推奨いたします。  
接着剤は、熱硬化接着剤を推奨いたします。

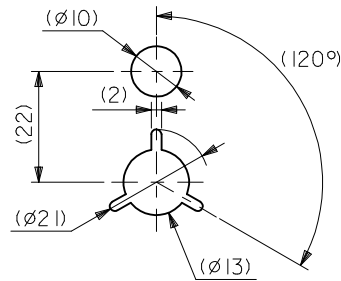
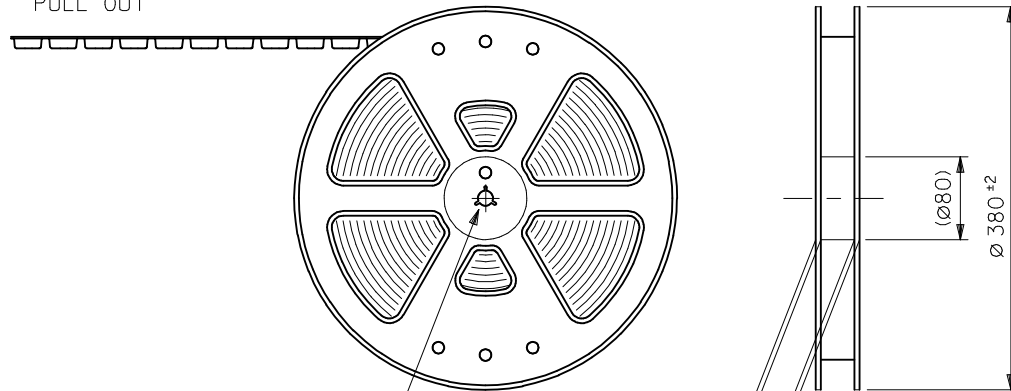
ABOUT FPC :  
RECOMMENDED PUNCHER DIRECTION : FROM CONDUCTOR SIDE TO STIFFENER BOARD SIDE.

RECOMMENDED MATERIAL :  
STIFFENER FILM : POLYIMIDE  
BONDING AGENT : THERMOSETTING BONDING AGENT

REVISED EC NO: J2014-1477 DRWN:AYOSHI 2014/03/31 CHKD:YKOBAYASHI 2014/03/31 APPR:YNOGAWA 2014/04/17	DESCRIPTION	GENERAL TOLERANCES (UNLESS SPECIFIED)		DIMENSION STYLE MM ONLY		SCALE ---	DESIGN UNITS METRIC	THIRD ANGLE PROJECTION		
		10 UNDER	± ---	DRAWN BY M. NABE I	DATE '03/12/22	TITLE 0.3 FPC CONN E/O HSG ASSY (H=1.3) -LEAD FREE-				
		10 OVER 30 UNDER	± ---	CHECKED BY K. TOJO	DATE '03/12/22					
30 OVER	± ---	APPROVED BY M. SASAO	DATE '03/12/22	DOCUMENT NO. SD-54809-036						
REV	DESCRIPTION	ANGULAR ± --- ° DRAFT WHERE APPLICABLE MUST REMAIN WITHIN DIMENSIONS		MATERIAL NO. SEE SHEET 1		THIS DRAWING CONTAINS INFORMATION THAT IS PROPRIETARY TO MOLEX INCORPORATED AND SHOULD NOT BE USED WITHOUT WRITTEN PERMISSION				

9 8 7 6 5 4 3 2

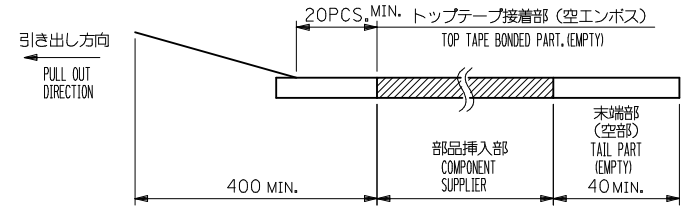
引き出し方向  
PULL OUT



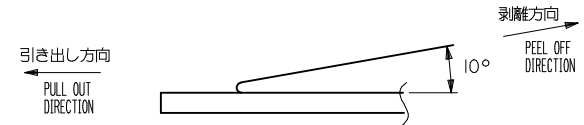
DETAIL "F"

**注記 NOTES**

- 製品詳細寸法については、図面SD-54809-036を参照下さい。  
RE DETAILED DIMENSION, SEE SD-54809-036.
- 梱包数量：2500個/リール  
NUMBER OF CONNECTORS : 2500PCS/REEL
- リードテープ長さ LEAD TAPE LENGTH

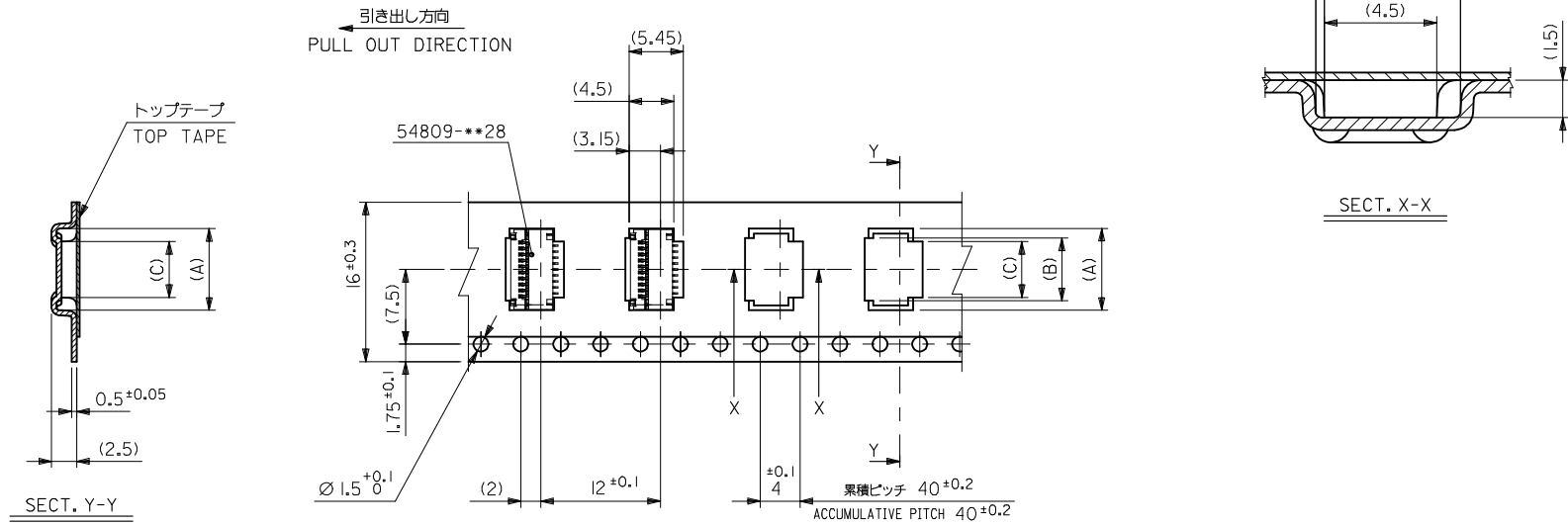


- トップテープの剥離強度：0.1 ~ 1.3N (10 ~ 130gf)  
(剥離方向は下図参照)  
尚、本規格値は出荷時に適用。(但し、輸送時に剥離が発生しないこと。)  
PEELING OFF FORCE OF TOP TAPE : 0.1 ~ 1.3N (10 ~ 130gf)  
(PEELING DIRECTION AS SHOWN IN FOLLOWING FIG.)  
THIS REQUIREMENT SHOULD BE APPLIED AT SHIPMENT.  
PEEL OFF SHOULD NOT BE ALLOWED, DURING TRANSPORTATION.



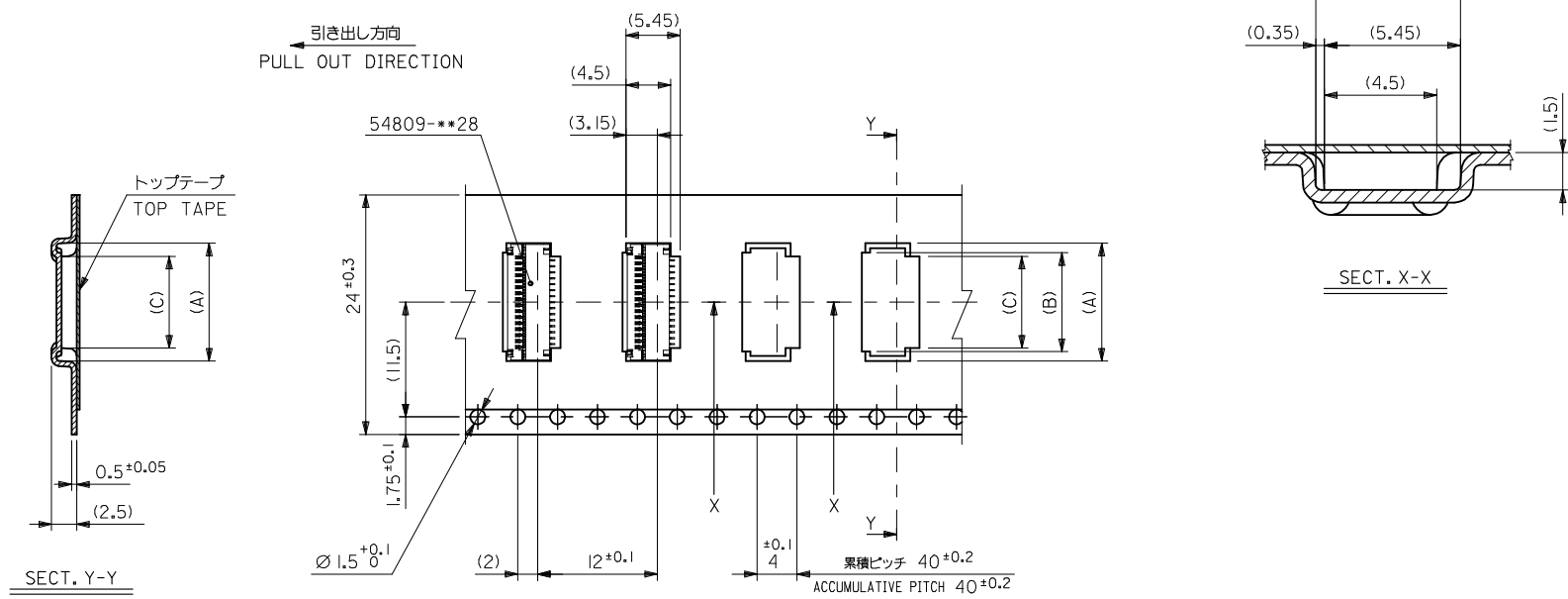
- 材料 (MATERIAL)  
キャリアテープ (CARRIER TAPE) : ポリプロピレン (POLYPROPYLENE)  
トップテープ (TOP TAPE) : PET, PE, PEF  
リール (REEL) : ポリスチレン (PS) <リサイクル材を含む>  
POLYSTYRENE(PS) <RECYCLE MATERIAL CONTAINED>
- 本製品は54809-\*\*\*91の鉛フリー品である。  
THIS PRODUCT IS LEAD FREE OF 54809-\*\*\*91

REVISED EC NO: J2014-1477 DRWN:AYOSHI I 01 2014/03/31 CHKD:YKOBAYASHI 02 2014/03/31 APPR:YNOGAWA 2014/04/17	GENERAL TOLERANCES (UNLESS SPECIFIED)		DIMENSION STYLE MM ONLY		SCALE ---	54809-***98	MODEL NO.
	10 UNDER	± ---	DRAWN BY M. NABE I	DATE '03/12/22	TITLE	THIRD ANGLE PROJECTION	
	10 OVER 30 UNDER	± ---	CHECKED BY K. TOJO	DATE '03/12/22	EMBSTP PKG FOR 0.3 FPC CONN E/O -LEAD FREE-		
	30 OVER	± ---	APPROVED BY M. SASAO	DATE '03/12/22	<b>molex</b>		
	ANGULAR ± --- °	MATERIAL NO. SEE TABLE		DOCUMENT NO. SD-54809-037	SHEET NO. 1 OF 4		
	DRAFT WHERE APPLICABLE MUST REMAIN WITHIN DIMENSIONS	THIS DRAWING CONTAINS INFORMATION THAT IS PROPRIETARY TO MOLEX INCORPORATED AND SHOULD NOT BE USED WITHOUT WRITTEN PERMISSION					



16mm幅キャリアテープ  
16mm WIDTH CARRIER TAPE

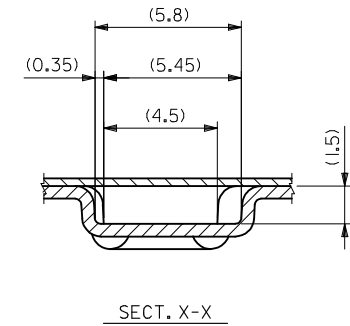
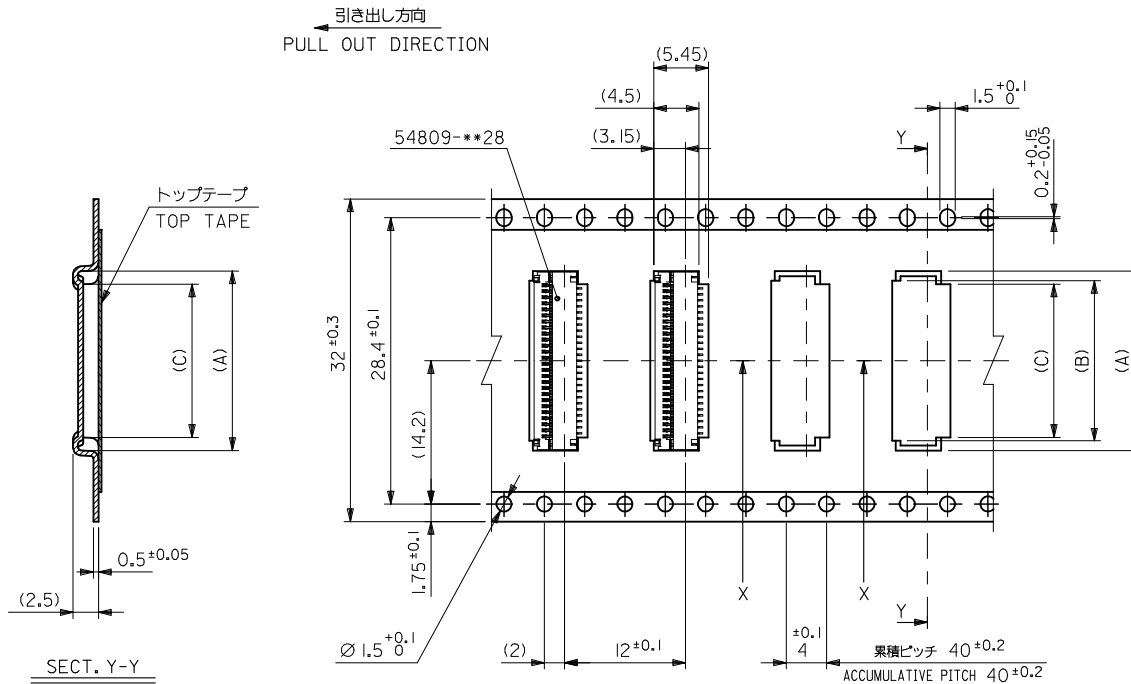
REVISED EC NO: J2014-1477 DRWN: AYOSHI   01 2014/03/31 CHKD: YKOBAYASHI   02 2014/03/31 APPR: YNOGAWA   2014/04/17	GENERAL TOLERANCES (UNLESS SPECIFIED)		DIMENSION STYLE MM ONLY		SCALE ---	54809-***98	MODEL NO.
	10 UNDER	± ---	DRAWN BY M. NABEI	DATE '03/12/22	TITLE	DESIGN UNITS METRIC	THIRD ANGLE PROJECTION
	10 OVER 30 UNDER	± ---	CHECKED BY K. TOJO	DATE '03/12/22	EMBSTP PKG FOR 0.3 FPC CONN E/O -LEAD FREE- <b>molex</b>	DOCUMENT NO. SD-54809-037	SHEET NO. 2 OF 4
	30 OVER	± ---	APPROVED BY M. SASAO	DATE '03/12/22			
ANGULAR	± --- °	MATERIAL NO. SEE TABLE		THIS DRAWING CONTAINS INFORMATION THAT IS PROPRIETARY TO MOLEX INCORPORATED AND SHOULD NOT BE USED WITHOUT WRITTEN PERMISSION			
DRAFT WHERE APPLICABLE MUST REMAIN WITHIN DIMENSIONS		SIZE A3					



24mm幅キャリアテープ  
24mm WIDTH CARRIER TAPE

24	29.4	25.4	11.6	12.3	14.2	54809-3998	39
キャリアテープ幅 CARRIER TAPE WIDTH	E	D	C	B	A	54809-3198	31
						MATERIAL NO.	極数 CKT.

REVISED EC NO: J2014-1477 DRWN: AYOSHI 2014/03/31 CHKD: YKOBAYASHI 2014/03/31 APPR: YNOGAWA 2014/04/17	GENERAL TOLERANCES (UNLESS SPECIFIED)	DIMENSION STYLE MM ONLY	SCALE ---	DESIGN UNITS METRIC	54809-***98 MODEL NO.	
	10 UNDER ± --- 10 OVER 30 UNDER ± --- 30 OVER ± ---	DRAWN BY M. NABEI	DATE '03/12/22	TITLE EMBSTP PKG FOR 0.3 FPC CONN E/O -LEAD FREE-		
	ANGULAR ± --- ° DRAFT WHERE APPLICABLE MUST REMAIN WITHIN DIMENSIONS	CHECKED BY K. TOJO	DATE '03/12/22	THIRD ANGLE PROJECTION		
		APPROVED BY M. SASAO	DATE '03/12/22	MATERIAL NO. SEE TABLE	DOCUMENT NO. SD-54809-037	SHEET NO. 3 OF 4



32mm幅キャリアテープ  
32mm WIDTH CARRIER TAPE

REVISED EC NO: J2014-1477 DRWN:AYOSHI 2014/03/31 CHKD:YKOBAYASHI 2014/03/31 APPR:YNOGAWA 2014/04/17	DESCRIPTION	GENERAL TOLERANCES (UNLESS SPECIFIED)		DIMENSION STYLE MM ONLY		SCALE ---	54809-**-98	MODEL NO.
		10 UNDER	± ---	DRAWN BY M. NABEI	DATE '03/12/22	TITLE	EMBSTP PKG FOR 0.3 FPC CONN E/O -LEAD FREE- <b>molex</b>	THIRD ANGLE PROJECTION
		10 OVER 30 UNDER	± ---	CHECKED BY K. TOJO	DATE '03/12/22			
		30 OVER	± ---	APPROVED BY M. SASAO	DATE '03/12/22			
		ANGULAR ± --- °	DRAFT WHERE APPLICABLE MUST REMAIN WITHIN DIMENSIONS	MATERIAL NO. SEE TABLE		DOCUMENT NO. SD-54809-037	SHEET NO. 4 OF 4	