



4

3

2

1

THIS DRAWING IS UNPUBLISHED.

RELEASED FOR PUBLICATION

ALL RIGHTS RESERVED.

LOC

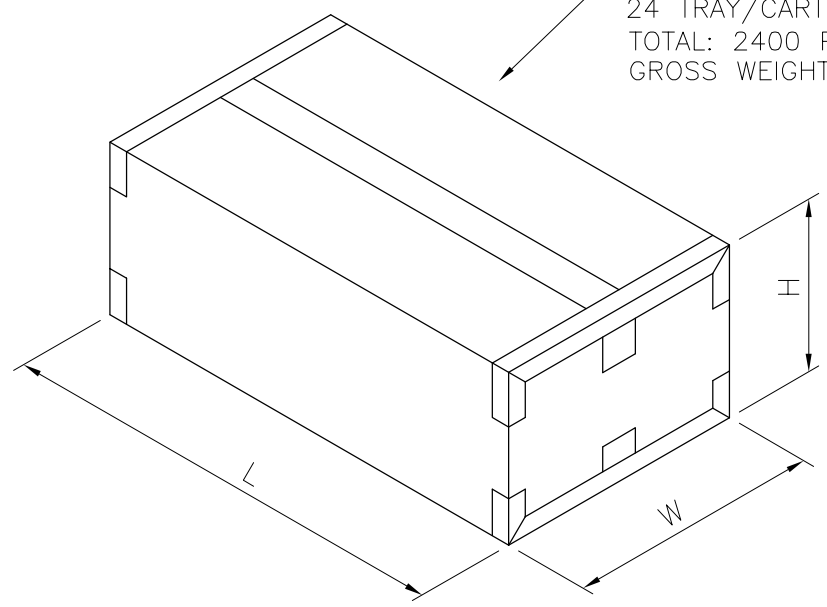
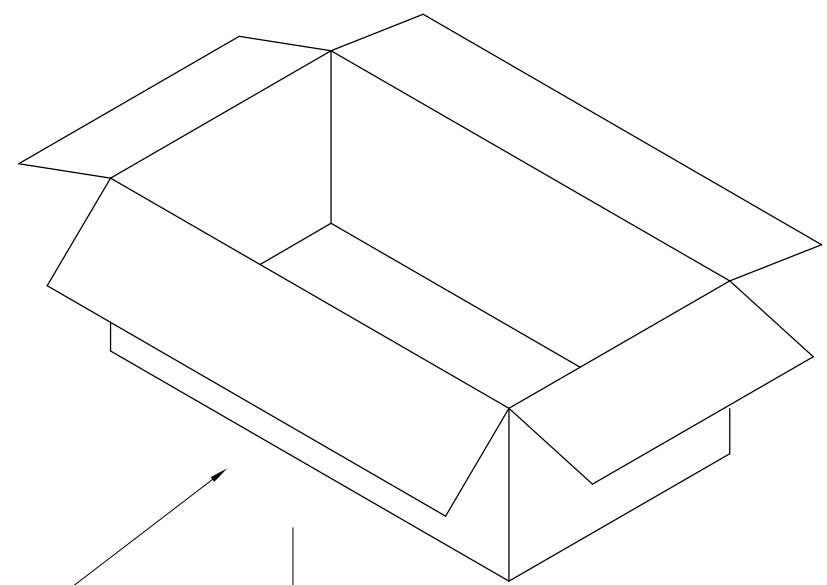
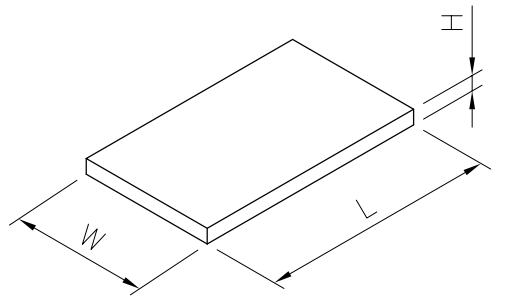
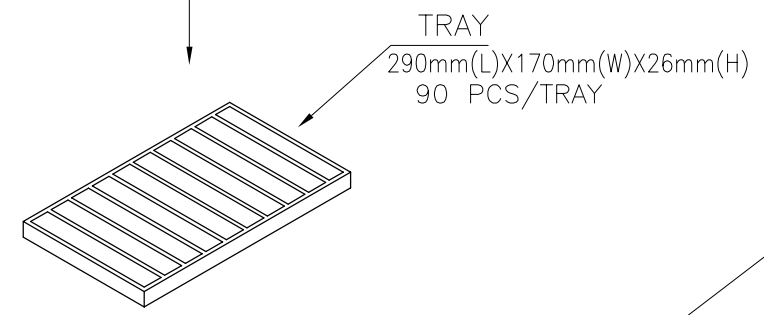
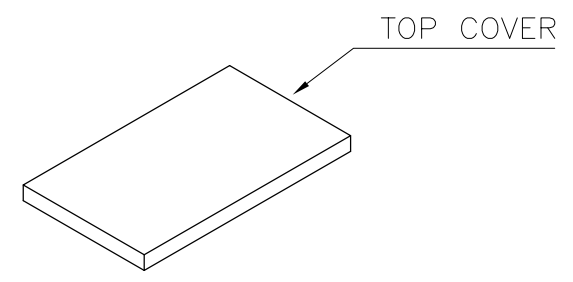
DIST


REVISIONS

©

COPYRIGHT - By -

P	LTR	DESCRIPTION	DATE	DWN	APVD
-	-	-	-	-	-



THIS DRAWING IS A CONTROLLED DOCUMENT.		DWN Q. HU 28-JUL-2005	 <b>TE Connectivity</b>	
DIMENSIONS: mm		CHK S. HOU 28-JUL-2005		
TOLERANCES UNLESS OTHERWISE SPECIFIED:		APVD W.J. KE 28-JUL-2005	NAME	
<ul style="list-style-type: none"> <li>0 PLC ±</li> <li>1 PLC ±</li> <li>2 PLC ±</li> <li>3 PLC ±</li> <li>4 PLC ±</li> <li>ANGLES ±</li> </ul>		PRODUCT SPEC 108-57527	MODULAR JACK, SIDE ENTRY, DIP TYPE	
MATERIAL SEE NOTE		FINISH SEE NOTE	APPLICATION SPEC -	RESTRICTED TO -
		WEIGHT -	SIZE A3	CAGE CODE 00779
		CUSTOMER DRAWING	DRAWING NO C-1734216	REV A
		SCALE 1:1	SHEET 2 OF 2	