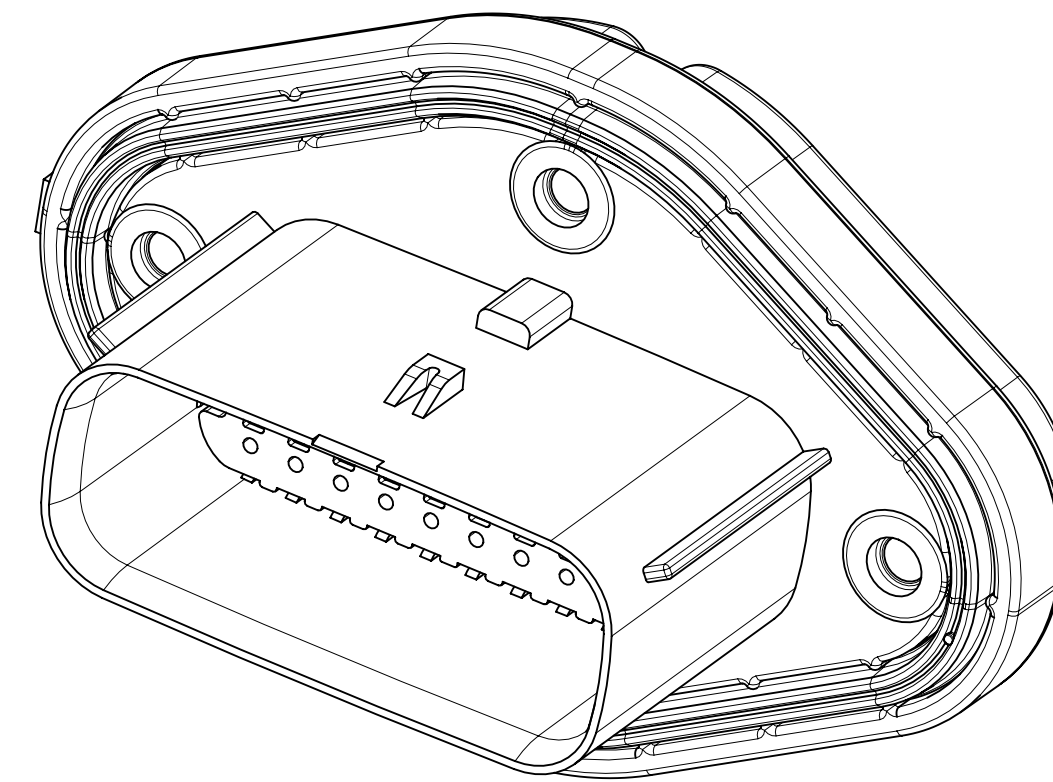
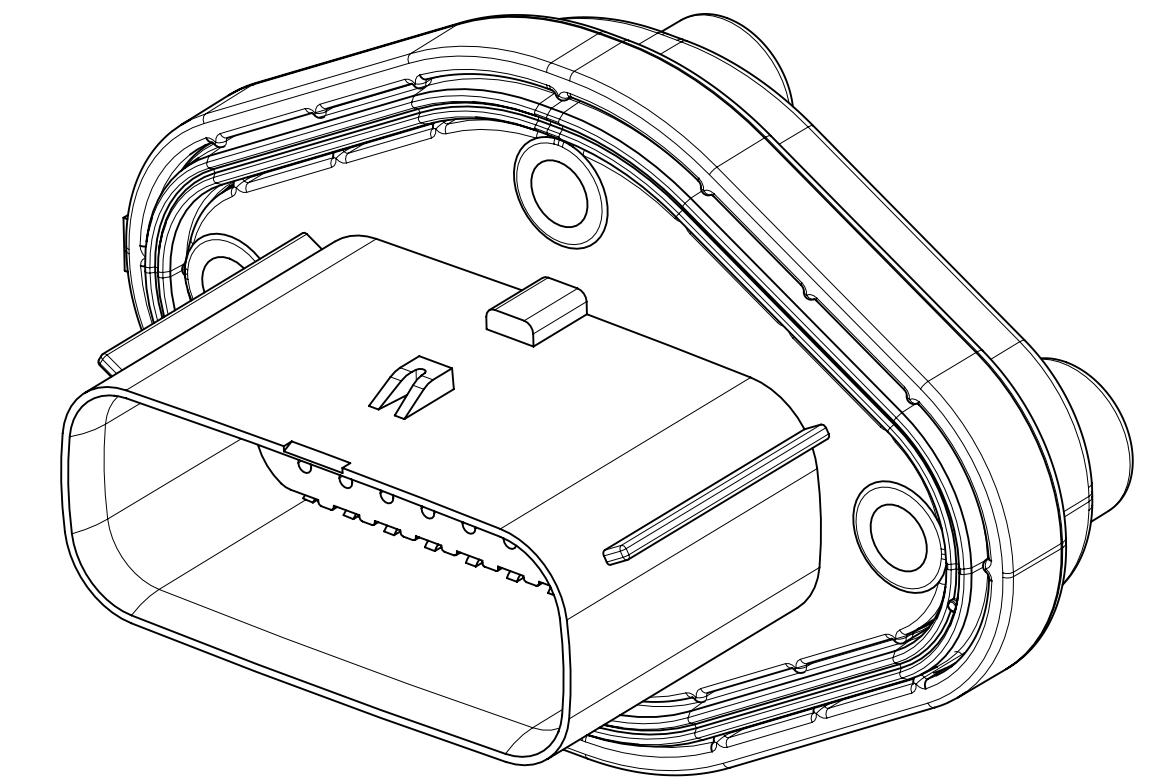


TABLE OF CONTENTS	
SHEET NO.	SHEET DESCRIPTION
1	NOTES AND VIEW
2	BOM-BUSHING VERSION
3	BOM-SELF-TAPPING SCREW VERSION
4	KEY CONFIGURATIONS
5	DETAIL VIEWS AND SECTIONS - BUSHING VERSION
6	DETAIL VIEWS AND SECTIONS - SELF-TAPPING SCREW VERSION
7	PANEL MOUNT INTERFACE
8	PANEL MOUNT INTERFACE
9	PANEL MOUNT INTERFACE



SELF-TAPPING VERSION



4 BUSHING VERSION

NOTES: VALID UNLESS OTHERWISE SPECIFIED

1. GENERAL:
 - a. APPLICATION SPECIFICATION SEE: 2144680001-AS
 - b. PRODUCT SPECIFICATION SEE: 2144680001-PS
 - c. PACKAGING SPECIFICATION PER MOLEX DRAWING: BUSHING VERSION 2144680001-PK, SELF-TAPPING VERSION 2144680005-PK
 - d. PARTS MUST BE IN COMPLIANCE TO MOLEX CHEMICAL SUBSTANCES FOR PRODUCTS AND PACKAGING SPECIFICATION: ES-40000-5016
 - e. DATA MUST BE SUBMITTED UNDER THE MOLEX PART NUMBER TO IMDS (COMPANY ID#13255)
2. DESIGN
 - a. SEE BOM TABLE FOR PART NUMBERS
 - b. SHIPPED WITH TPA IN PRE-LOCK POSITION
 - c. DESIGNED TO MATE WITH MX150 RECEPTACLE CONNECTOR ASSEMBLY
 - d. FOR ESSENTIAL PARTS (TERMINALS, WIRES ETC.) AND INSTALLATION TO COMPLETE ASSEMBLY SEE MOLEX PRODUCT SPECIFICATION PS-33472-000
 - e. FOR FULLY POPULATED CONNECTORS, MATE FORCE CAN EXCEED 75N
3. DESIGN - GEOMETRY:
 - a. THE 3-D CAD DATA IS BASIC (WITHOUT TOLERANCE) AND MUST BE TAKEN FROM THE DATA FILE AT ITS LATEST REVISION.
 - b. THE 3-D CAD DATA IS MASTER FOR THIS PART AND IS TO BE USED TO ESTABLISH DIMENSIONAL INFORMATION NOT SHOWN ON THIS DRAWING. ANY DIMENSIONS UNDERLINED INDICATE A CONFLICT WITH THE MODEL.
 - c. PRODUCT DESIGN MODEL NUMBER(S): SEE BOM TABLE
 - d. GEOMETRIC DIMENSIONS AND TOLERANCES PER ASME Y14.5-2009.
 - e. EDGES AND UNDIMENSIONED DETAILS PER ISO 13715
 - f. CORNERS SHOWN AS SHARP TO R0.2 MAX

4. DESIGN - MANUFACTURING:
 - a. VISUAL DEFECTS SHALL MEET COSMETIC STANDARD PS-45499-002 (CLASS B)
 - b. LASER MARKING:
 1. PART NUMBER
 2. DAY OF THE YEAR
 3. SHIFT
 4. YEAR

B3	UPDATED BOLT INFORMATION FOR SELF-TAPPING VERSION
B2	MIGRATED DATA TO TC
B1	UPDATED PANEL MOUNT INTERFACE ON SHEET 8 & 9
B	UPDATED PANEL MOUNT INTERFACE TOLERANCES SHEET9
A6	ADDED INDIVIDUAL KEY INTERFACE ON PAGE 9
A5	CHANGED DRAWING TYPE FORM RSD TO GENERAL MARKET, ADDED 2144680009 THRU 0012 AND SELF-TAPPING VERSION, UPDATED INTERFACE TO UNVERSIAL CUT OUT, UPDATED BOLT DEFINITION TO ACCOMMODATE MULTIPLE INTERFACE THICKNESSES
A4	ADDED KEY C AND KEY D VIEW
A3	UPDATED INTERFACE OPTION TOLERANCES SHEET6, UPDATED RADII ON INTERFACE CUTOUT SHEET 6
A2	ADDED KEY B OPTION, ADDED SHEET 7, PANEL INTERFACE KEY WAY CONFIGURATION
A1	ADDED NOTES TO SHEET 5, ADDED BOLT DEFINITION, UPDATED PANEL MOUNT INTERFACE
A	INITIAL RELEASE "OK TO TOOL"
REV	DESCRIPTION

INSPECTION BALLOON NUMBER LOG

PER DRAWING REVISION: B3
 LAST BALLOON NUMBER USED: NONE
 ADDED BALLOON NUMBERS: NONE
 REMOVED BALLOON NUMBERS: NONE

THIS DRAWING CONTAINS INFORMATION THAT IS PROPRIETARY TO MOLEX ELECTRONIC TECHNOLOGIES, LLC AND SHOULD NOT BE USED WITHOUT WRITTEN PERMISSION											
SYMBOLS		DIMENSION UNITS		SCALE		CURRENT REV DESC:					
▽ = 0		mm		2:1							
▽ = 0		GENERAL TOLERANCES (UNLESS SPECIFIED)				EC NO: CO-000000037					
▽ = 0		ANGULAR TOL ± 0.5°				DRWN: Xu Yang 30-Jun-2022					
▽ = 0		4 PLACES ± 0				CHK'D: Elvis Song 29-Sep-2022					
▽ = 0		3 PLACES ± 0				APPR: Colin Zhang 29-Sep-2022					
▽ = 0		2 PLACES ± 0.1				INITIAL REVISION:					
▽ = 0		1 PLACE ± 0.2				DRWN: WKHE					
▽ = 0		0 PLACES ± 0				APPR:					
■ = 0		DRAFT WHERE APPLICABLE MUST REMAIN WITHIN DIMENSIONS		THIRD ANGLE PROJECTION		DRAWING		SERIES		MATERIAL NUMBER	
▽ = 0				D-SIZE		214468		SEE BOM		CUSTOMER	
								GENERAL MARKET		SHEET NUMBER	
										1 OF 9	

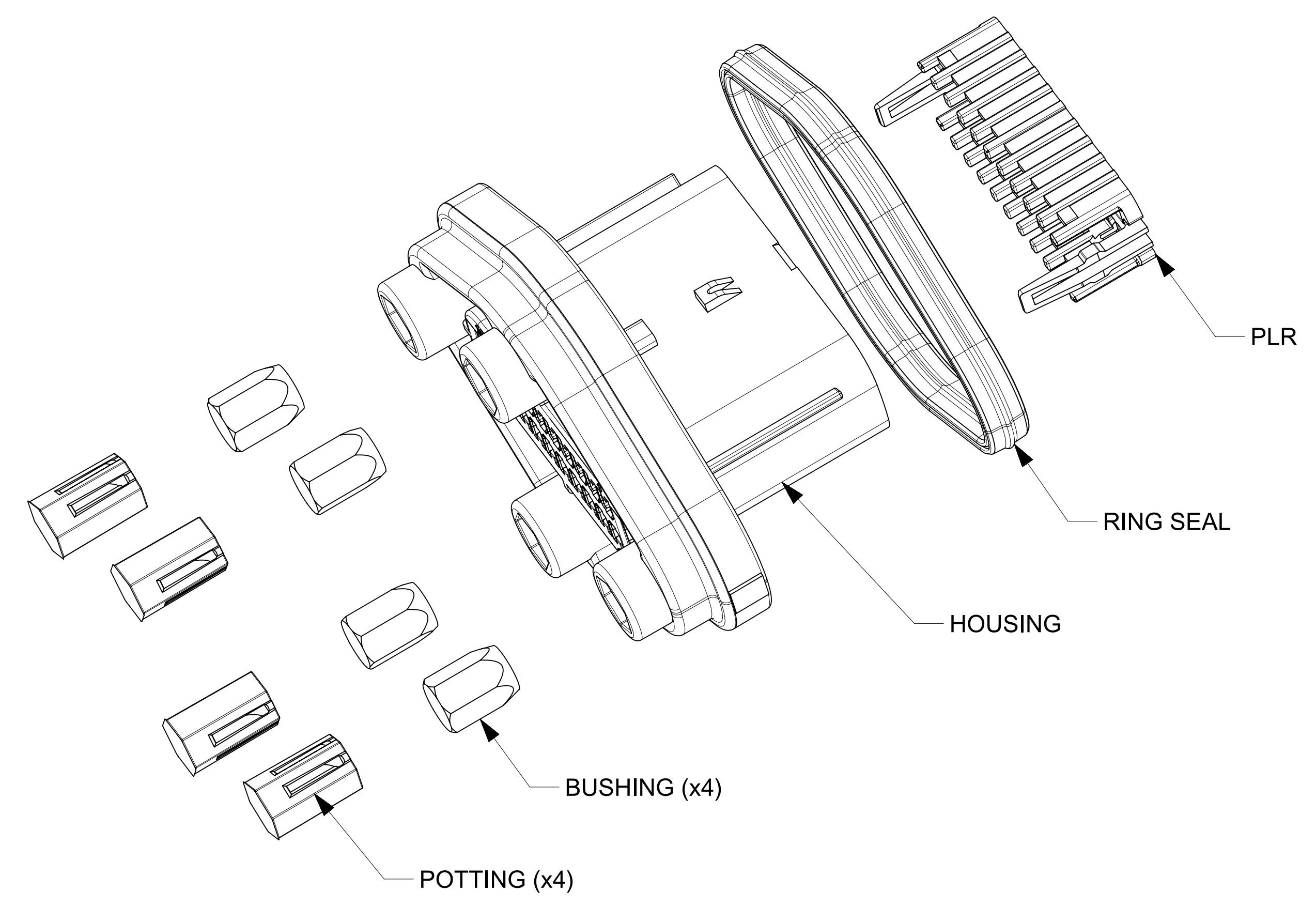
molex

MX150 20W PANEL MOUNT ASSY

PRODUCT SALES DRAWING

DOCUMENT NUMBER	DOC TYPE	DOC PART	REVISION
2144680001	PSD	000	B3

SHEET DESCRIPTION
BOM-BUSHING VERSION

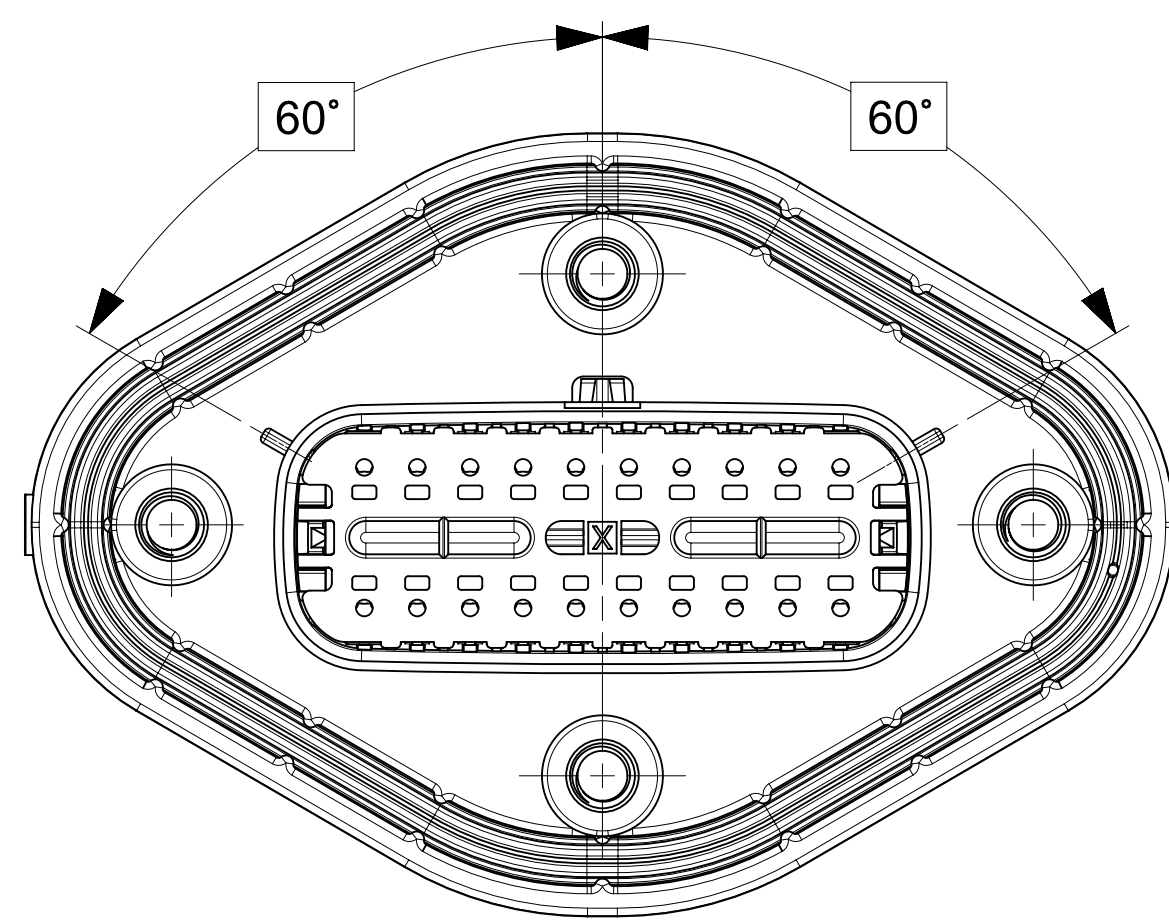


ITEM	PART DESCRIPTION	MATERIAL	COLOR	QTY			
1	HOUSING, KEY A	PA6-GF30	BLACK	1			
2	HOUSING, KEY B	PA6-GF30	LIGHT GRAY		1		
3	HOUSING, KEY C	PA6-GF30	DARK GRAY			1	
4	HOUSING, KEY D	PA6-GF30	STONE GRAY				1
5	PLR	PA6-GF30	ASH GRAY	1	1	1	1
6	RING SEAL	SILICONE	RUST RED	1	1	1	1
7	M4 BLIND BUSHING	STEEL	STEEL COLOR	4	4	4	4
8	POTTING	SILICONE ADHESIVE	GRAY	4	4	4	4

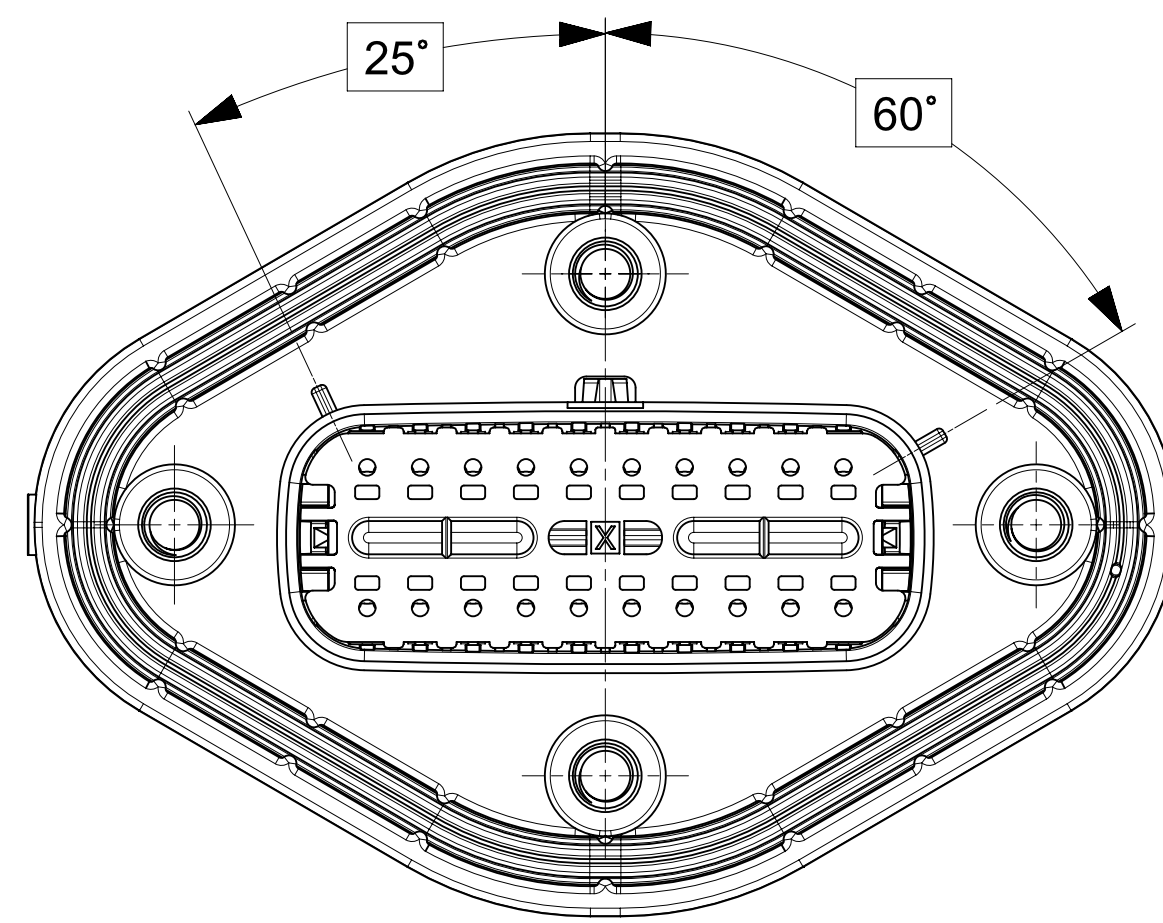
ASSEMBLY PART NUMBER	ASSEMBLY DESCRIPTION	STATUS
2144680009	MX150 20W PANEL MOUNT, KEY A, BUSHING	SALEABLE
2144680010	MX150 20W PANEL MOUNT, KEY B, BUSHING	SALEABLE
2144680011	MX150 20W PANEL MOUNT, KEY C, BUSHING	SALEABLE
2144680012	MX150 20W PANEL MOUNT, KEY D, BUSHING	SALEABLE

SYMBOLS DIMENSION UNITS: mm SCALE: 2:1 GENERAL TOLERANCES (UNLESS SPECIFIED) ANGULAR TOL ± 0.5° 4 PLACES ± 0 3 PLACES ± 0 2 PLACES ± 0.1 1 PLACE ± 0.2 0 PLACES ± 0 DRAFT WHERE APPLICABLE MUST REMAIN WITHIN DIMENSIONS THIRD ANGLE PROJECTION D-SIZE	THIS DRAWING CONTAINS INFORMATION THAT IS PROPRIETARY TO MOLEX ELECTRONIC TECHNOLOGIES, LLC AND SHOULD NOT BE USED WITHOUT WRITTEN PERMISSION CURRENT REV DESC:		
	EC NO: CO-000000037 DRWN: Xu Yang 30-Jun-2022 CHK'D: Elvis Song 29-Sep-2022 APPR: Colin Zhang 29-Sep-2022 INITIAL REVISION: DRWN: WKHE APPR:		
PRODUCT SALES DRAWING			DOCUMENT NUMBER: 2144680001 DOC TYPE: PSD DOC PART: 000 REVISION: B3
MATERIAL NUMBER: SEE BOM CUSTOMER: GENERAL MARKET SHEET NUMBER: 2 OF 9			

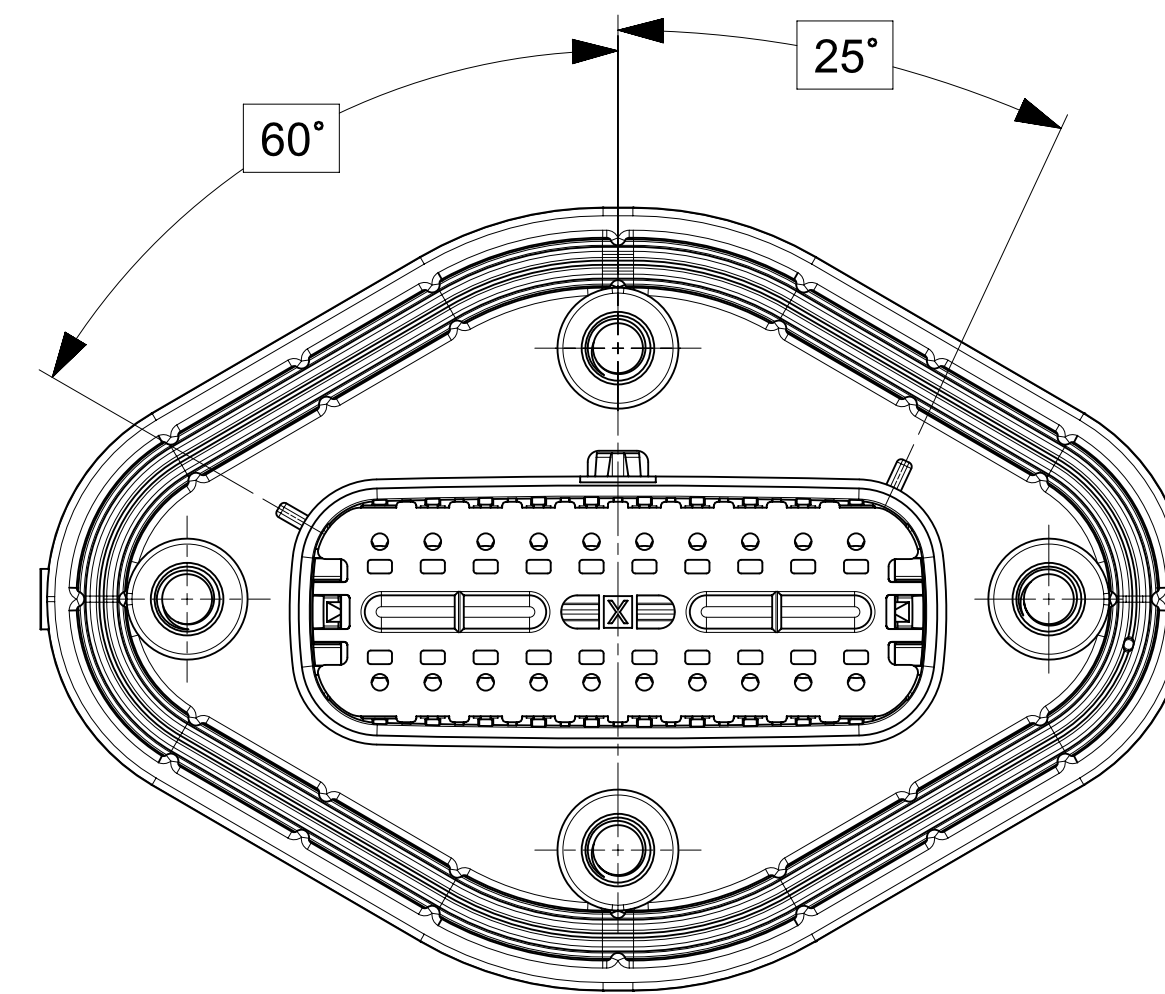
SHEET DESCRIPTION
KEY CONFIGURATIONS



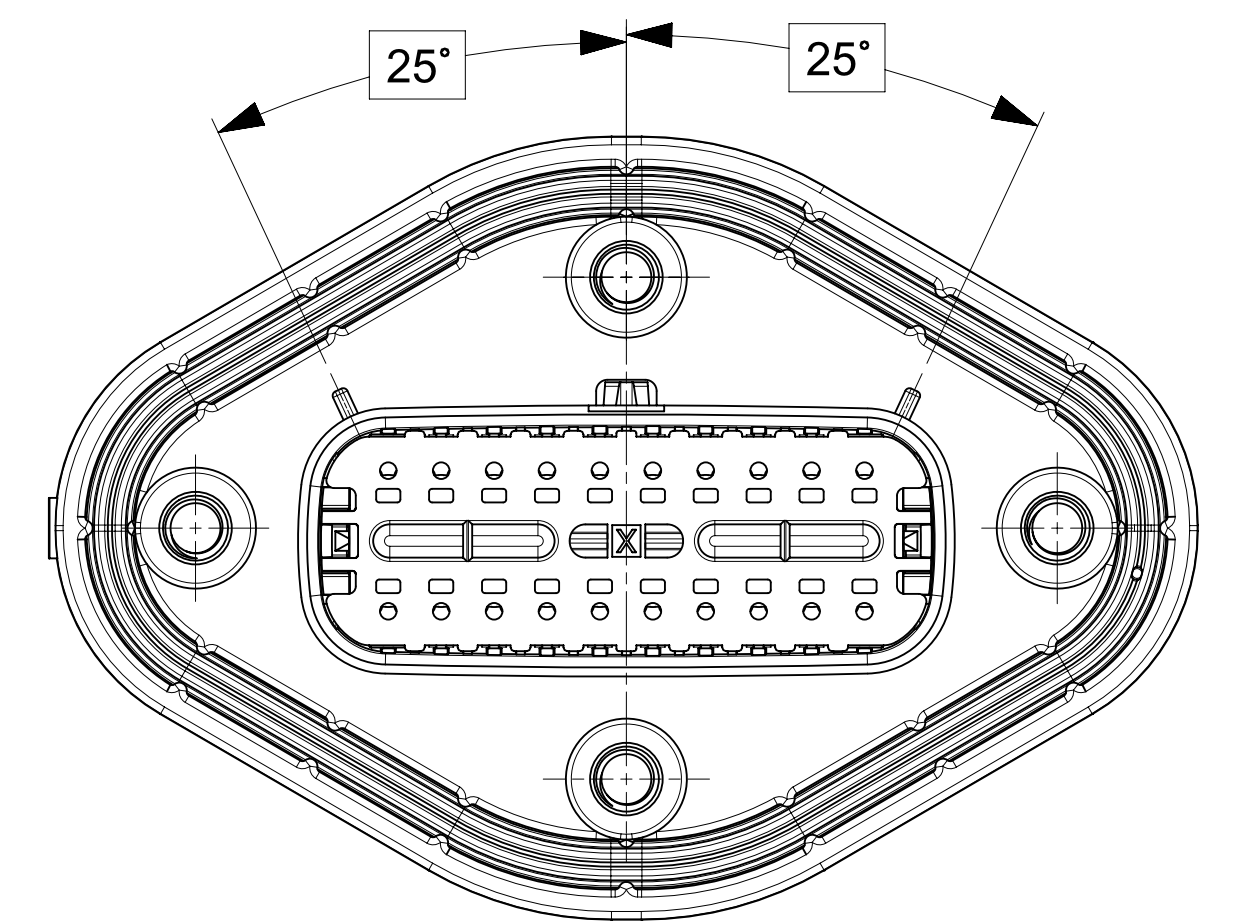
KEY A



KEY B



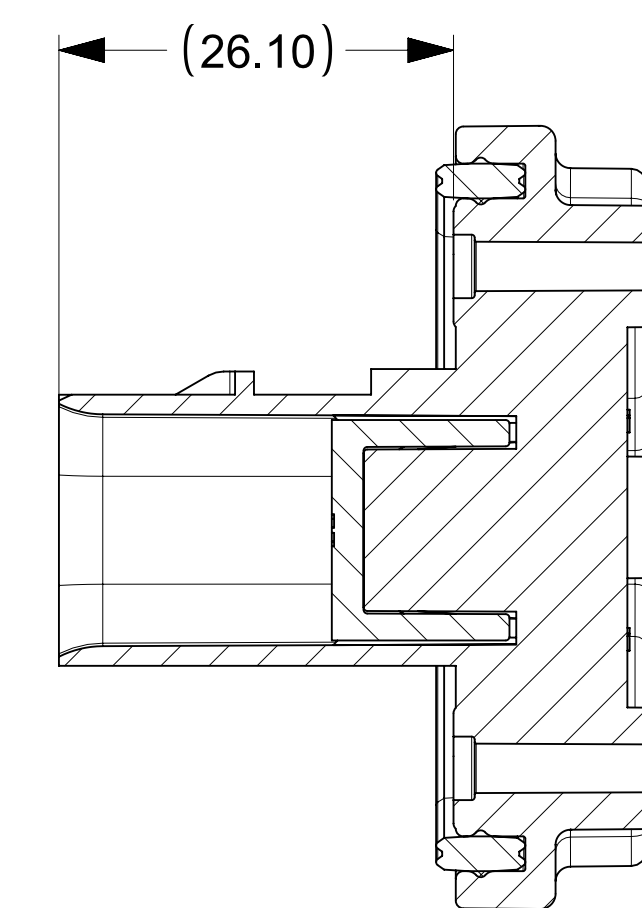
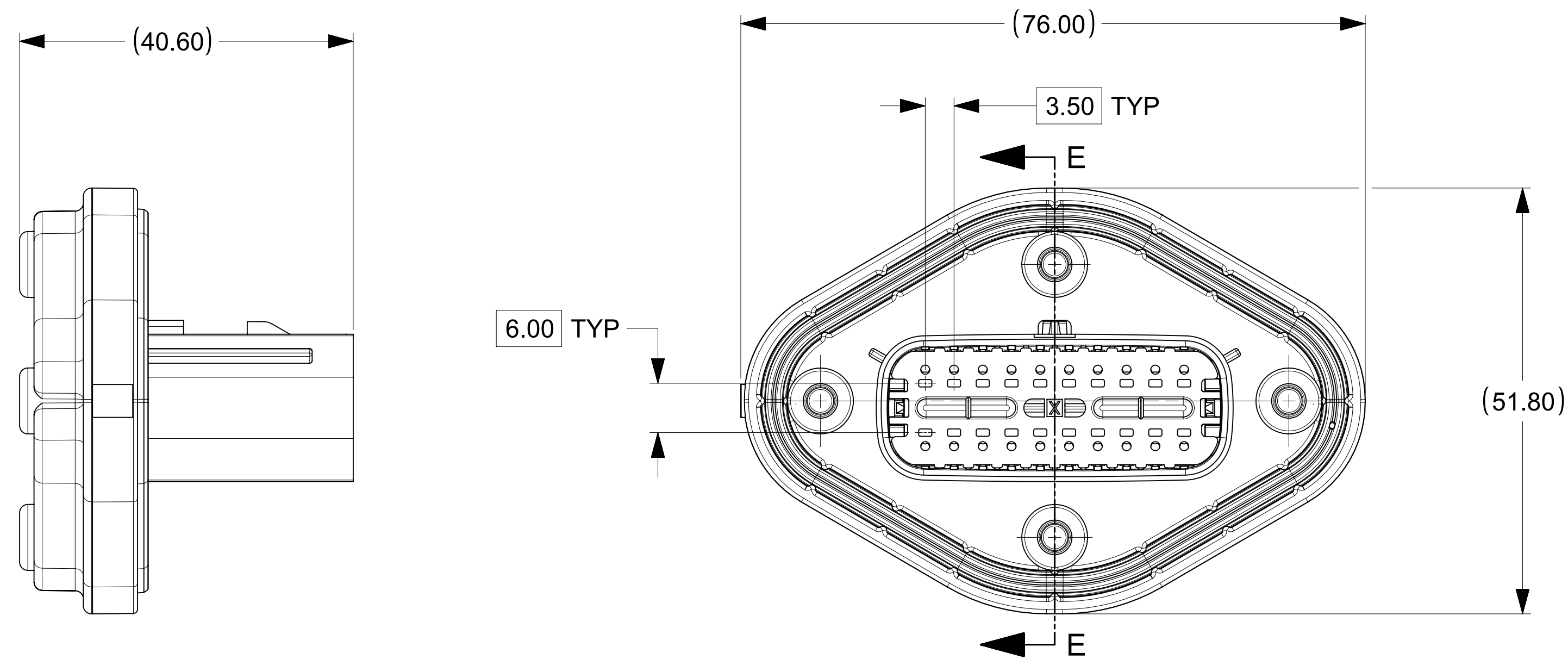
KEY C



KEY D

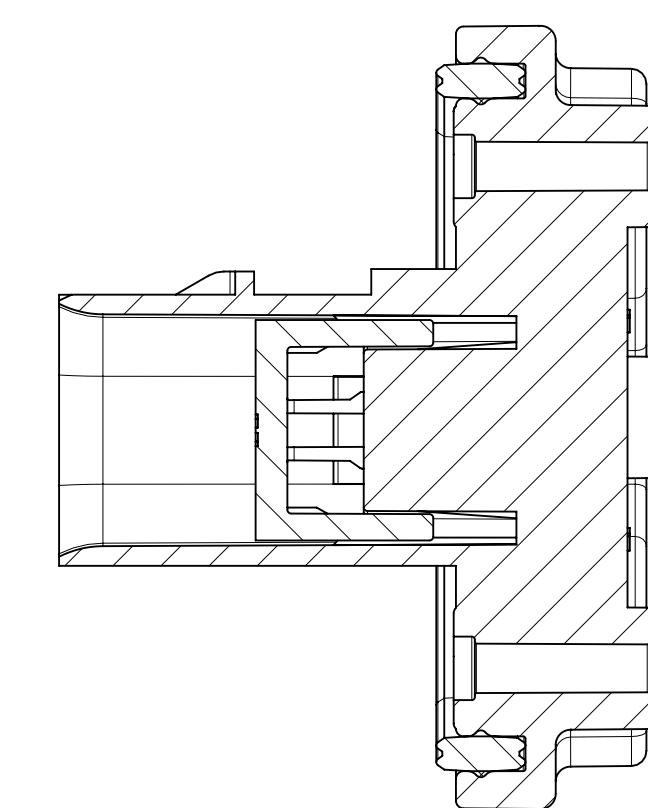
SYMBOLS = 0 	THIS DRAWING CONTAINS INFORMATION THAT IS PROPRIETARY TO MOLEX ELECTRONIC TECHNOLOGIES, LLC AND SHOULD NOT BE USED WITHOUT WRITTEN PERMISSION DIMENSION UNITS: mm SCALE: 2:1 CURRENT REV DESC: GENERAL TOLERANCES (UNLESS SPECIFIED) ANGULAR TOL ± 0.5° 4 PLACES ± 0 3 PLACES ± 0 2 PLACES ± 0.1 1 PLACE ± 0.2 0 PLACES ± 0 DRAFT WHERE APPLICABLE MUST REMAIN WITHIN DIMENSIONS THIRD ANGLE PROJECTION DRAWING: D-SIZE SERIES: 214468 MATERIAL NUMBER: SEE BOM CUSTOMER: GENERAL MARKET SHEET NUMBER: 4 OF 9	EC NO: CO-000000037 DRWN: Xu Yang 30-Jun-2022 CHK'D: Elvis Song 29-Sep-2022 APPR: Colin Zhang 29-Sep-2022 INITIAL REVISION: DRWN: WKHE APPR:	molex MX150 20W PANEL MOUNT ASSY PRODUCT SALES DRAWING DOCUMENT NUMBER: 2144680001 DOC TYPE: PSD DOC PART: 000 REVISION: B3
--	---	--	--

SHEET DESCRIPTION
 DETAIL VIEWS AND SECTIONS - SELF-TAPPING SCREW VERSION



SECTION E-E

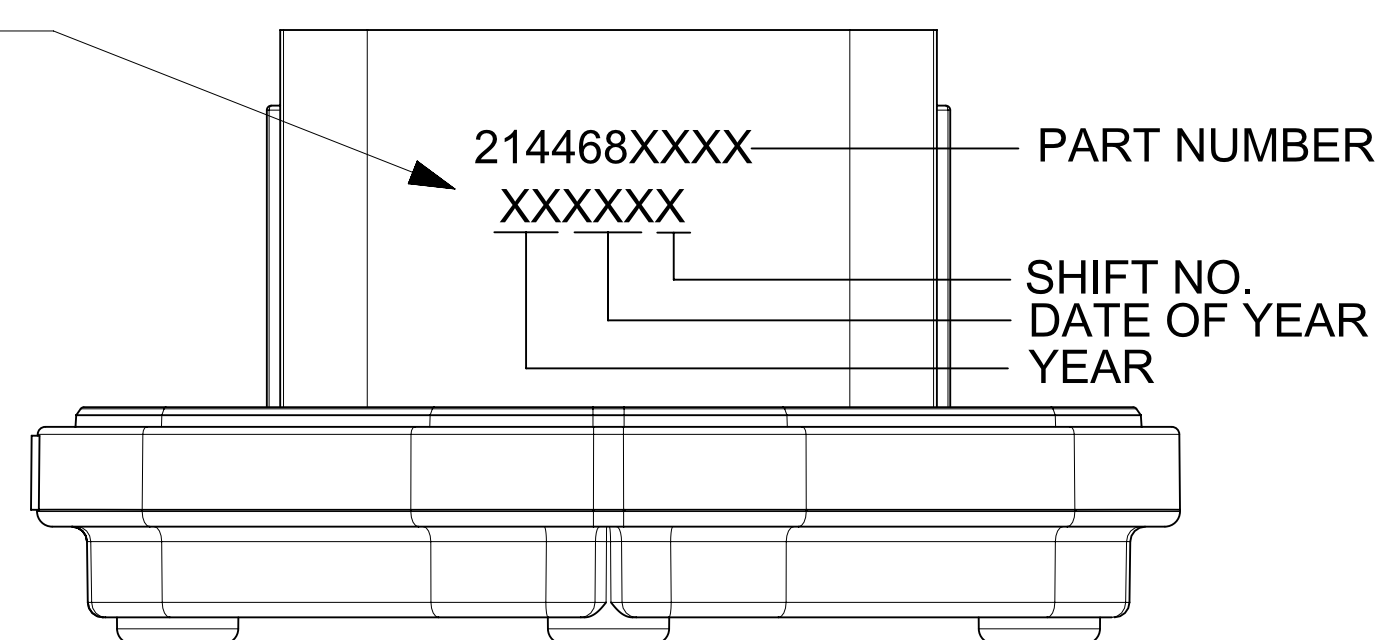
(TPA SHOWN IN FINAL-LOCK POSITION)



SECTION A-A

(TPA SHOWN IN PRE-LOCK POSITION)

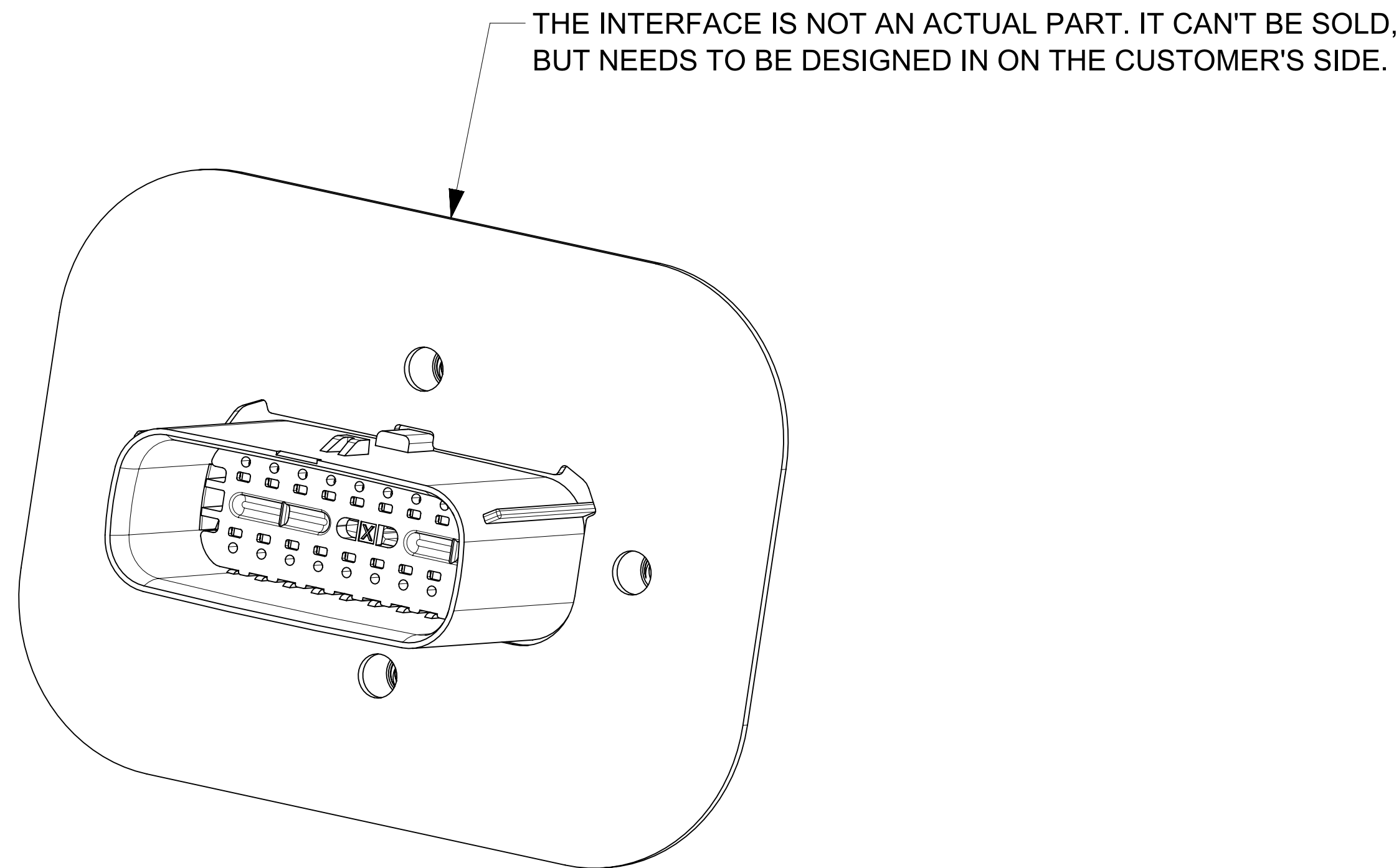
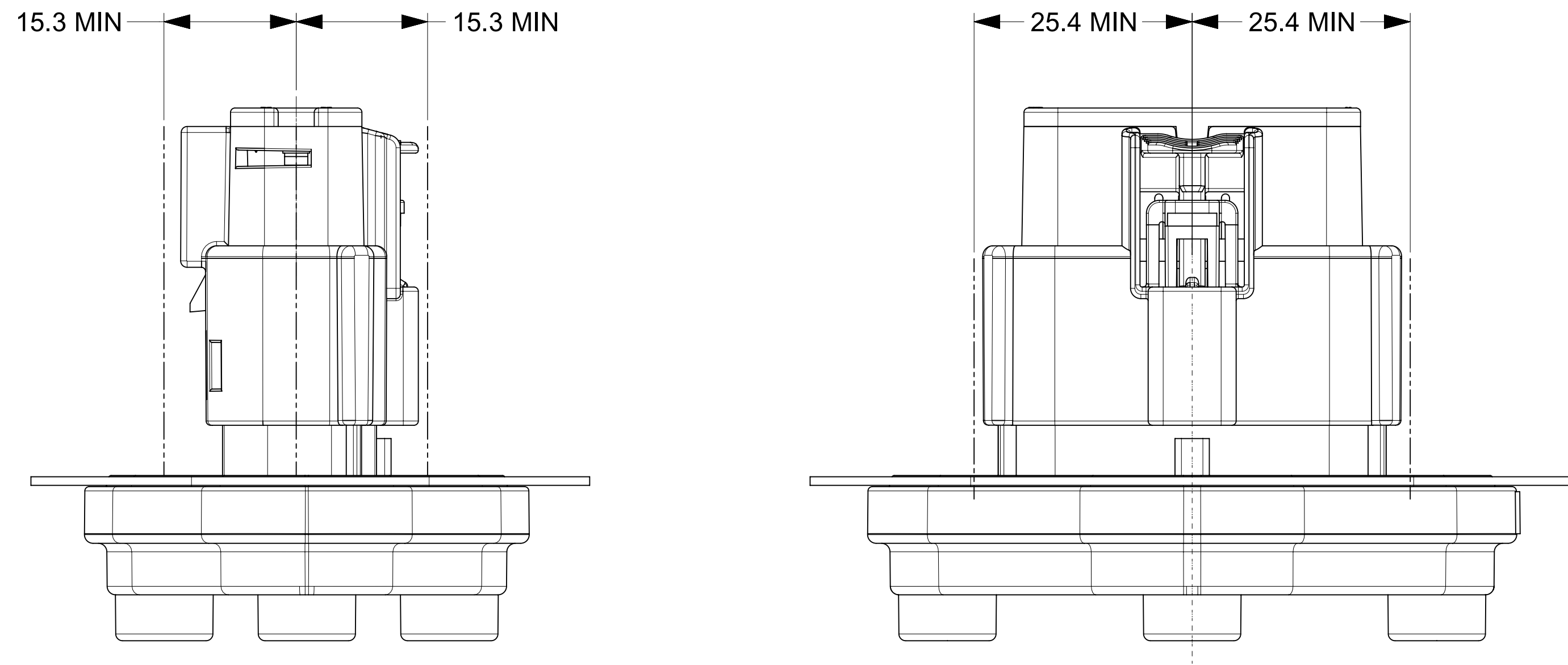
LASER MARKING ON THIS SURFACE
 SEE NOTE 4b.



SYMBOLS = 0 = 0 = 0 = 0 = 0 = 0 = 0 = 0	THIS DRAWING CONTAINS INFORMATION THAT IS PROPRIETARY TO MOLEX ELECTRONIC TECHNOLOGIES, LLC AND SHOULD NOT BE USED WITHOUT WRITTEN PERMISSION														
	DIMENSION UNITS		SCALE		CURRENT REV DESC:						 MX150 20W PANEL MOUNT ASSY PRODUCT SALES DRAWING				
	mm		2:1												
	GENERAL TOLERANCES (UNLESS SPECIFIED)				EC NO: CO-000000037						DOCUMENT NUMBER				
	ANGULAR TOL ± 0.5°				DRWN: Xu Yang 30-Jun-2022						DOC TYPE				
	4 PLACES ± 0				CHK'D: Elvis Song 29-Sep-2022						DOC PART				
	3 PLACES ± 0				APPR: Colin Zhang 29-Sep-2022						REVISION				
	2 PLACES ± 0.1				INITIAL REVISION:						2144680001				
	1 PLACE ± 0.2				DRWN: WKHE						PSD 000 B3				
	0 PLACES ± 0				APPR:						SEE BOM				
DRAFT WHERE APPLICABLE MUST REMAIN WITHIN DIMENSIONS				THIRD ANGLE PROJECTION		DRAWING		SERIES		MATERIAL NUMBER		CUSTOMER		SHEET NUMBER	
						D-SIZE		214468		GENERAL MARKET		6 OF 9			

SHEET DESCRIPTION
 PANEL MOUNT INTERFACE

IF PANEL MOUNT INTERFACE IS RECESSED INTO A POCKET, THESE DIMENSIONS REPRESENT THE MINIMUM CLEARANCE REQUIRED FOR THE MATING CONNECTOR SHROUDS.



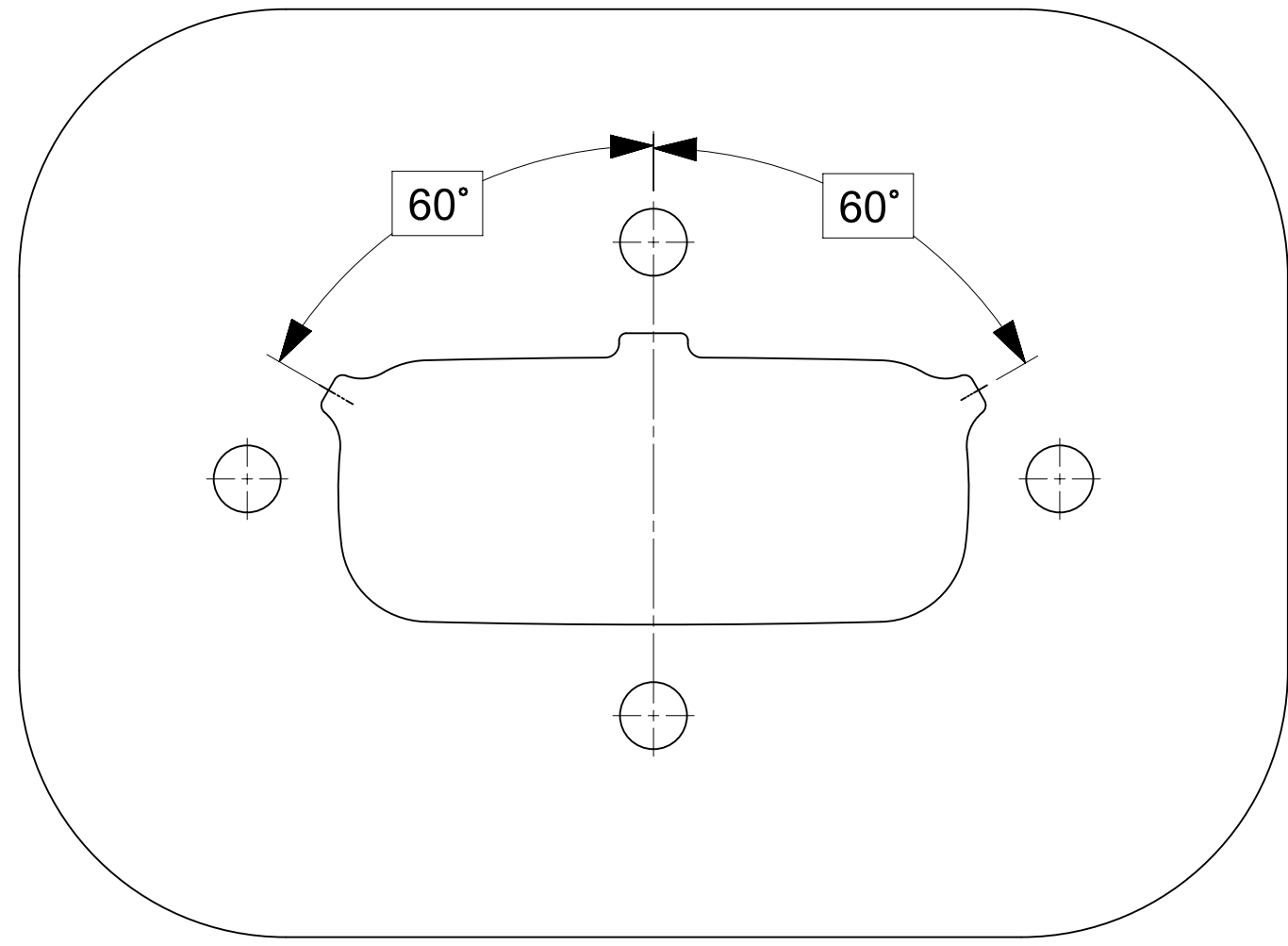
PANEL MOUNT INTERFACE NOTES: VALID UNLESS OTHERWISE SPECIFIED

1. GENERAL:
 - a. DESIGNED TO MATE WITH MOLEX CONNECTOR SERIES #33472
 - b. ALL DIMENSIONS SHOWN IN MILLIMETERS
2. MATERIALS:
 - a. MATERIAL: COLD ROLLED STEEL
PER GMW3032M-ST-S-CR210B2-HD60G60G-U
 - b. COATING: (ANTI CORROSION) REQUIRED
3. GEOMETRY
 - a. THIS IS 100% CAD GENERATED PART, THE CAD MATHMATICAL DATA IS THE MASTER FOR THIS PART, FOR THE DIMENSIONAL OR ANY INFORMATION NOT SHOWING ON THIS DRAWING, CONTACT MOLEX FOR CAD TO ANALYZE THE MODEL,
 - b. GEOMETRIC DIMENSIONS AND TOLERANCES PER ASME Y14.5M - 2009
 - c. GENERAL TOLERANCES: SEE TITLE BLOCK
 - d. EDGES AND UNDIMENSIONED DETAILS PER ISO13715
4. MANUFACTURING:
 - a. NO PARTING LINES, SCRATCHES, DENTS, OR MISMATCHES PERMISSBLE WITHIN SEALING SURFACE. SURFACE FINISH: 3.5um MAXIMUM RA SCALE
5. FASTENER:
 - a. FOUR BOLTS ARE REQUIRED TO RETAIN THE PANEL MOUNT CONNECTOR TO THE MATING PANEL MOUNT INTERFACE.
 - b. ONLY USE BOLTS THAT ADHERE TO THE DEFINITION SHOWN IN THE VIEWS ON SHEET 8.

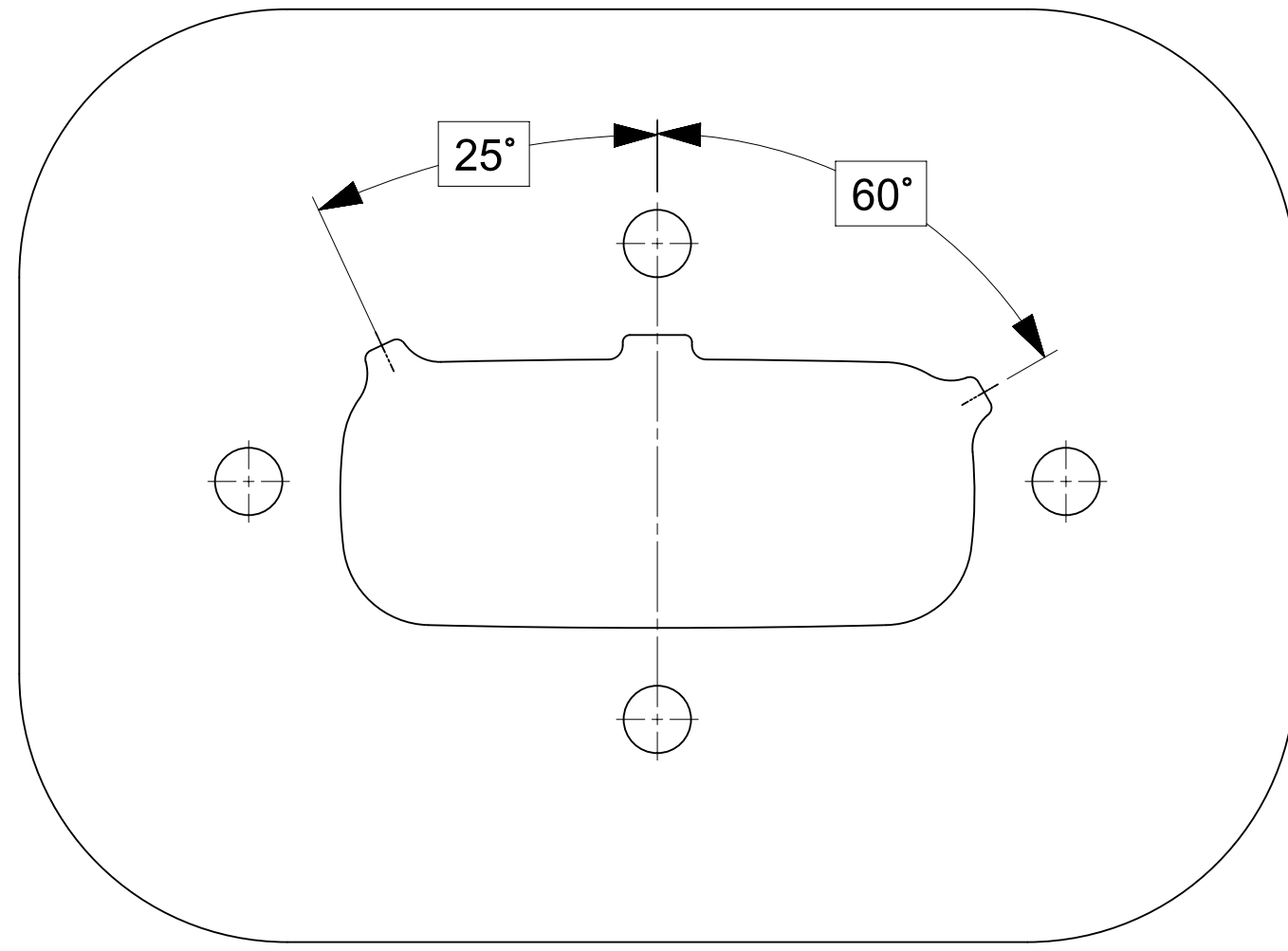
SYMBOLS = 0 = 0 = 0 = 0 = 0 = 0 = 0 = 0 = 0 = 0	THIS DRAWING CONTAINS INFORMATION THAT IS PROPRIETARY TO MOLEX ELECTRONIC TECHNOLOGIES, LLC AND SHOULD NOT BE USED WITHOUT WRITTEN PERMISSION		
	DIMENSION UNITS	SCALE	CURRENT REV DESC:
	mm	2:1	
	GENERAL TOLERANCES (UNLESS SPECIFIED)		EC NO: CO-000000037
	ANGULAR TOL	± 0.5°	DRWN: Xu Yang 30-Jun-2022
	4 PLACES	± 0	CHK'D: Elvis Song 29-Sep-2022
	3 PLACES	± 0	APPR: Colin Zhang 29-Sep-2022
	2 PLACES	± 0.1	INITIAL REVISION:
	1 PLACE	± 0.2	DRWN: WKHE
	0 PLACES	± 0	APPR:
DRAFT WHERE APPLICABLE MUST REMAIN WITHIN DIMENSIONS	THIRD ANGLE PROJECTION	DRAWING	SERIES
		D-SIZE	214468
DOCUMENT NUMBER		MATERIAL NUMBER	CUSTOMER
2144680001		SEE BOM	GENERAL MARKET
DOC TYPE	DOC PART	REVISION	SHEET NUMBER
PSD	000	B3	7 OF 9

SHEET DESCRIPTION
PANEL MOUNT INTERFACE

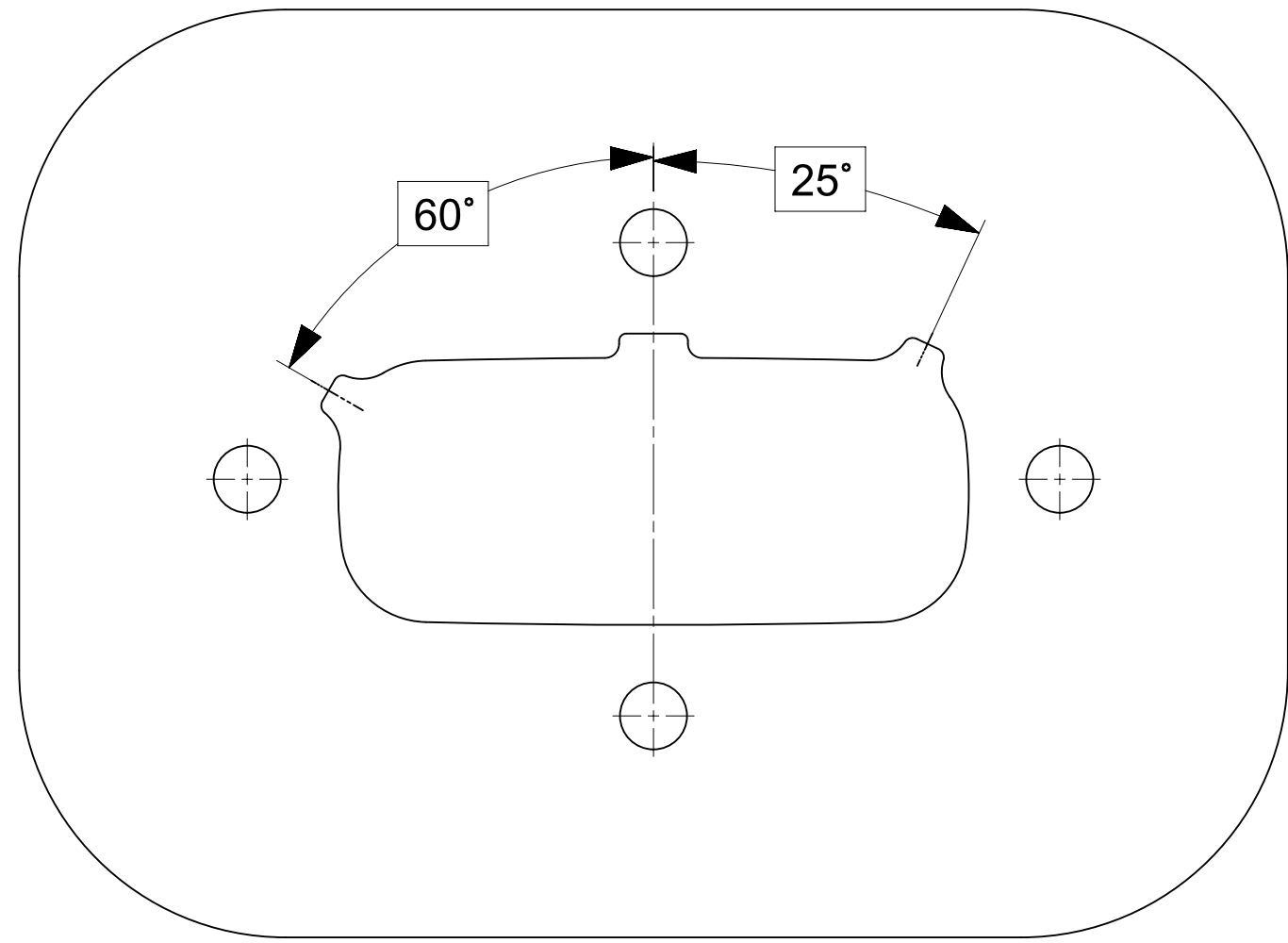
KEY DEFINITION



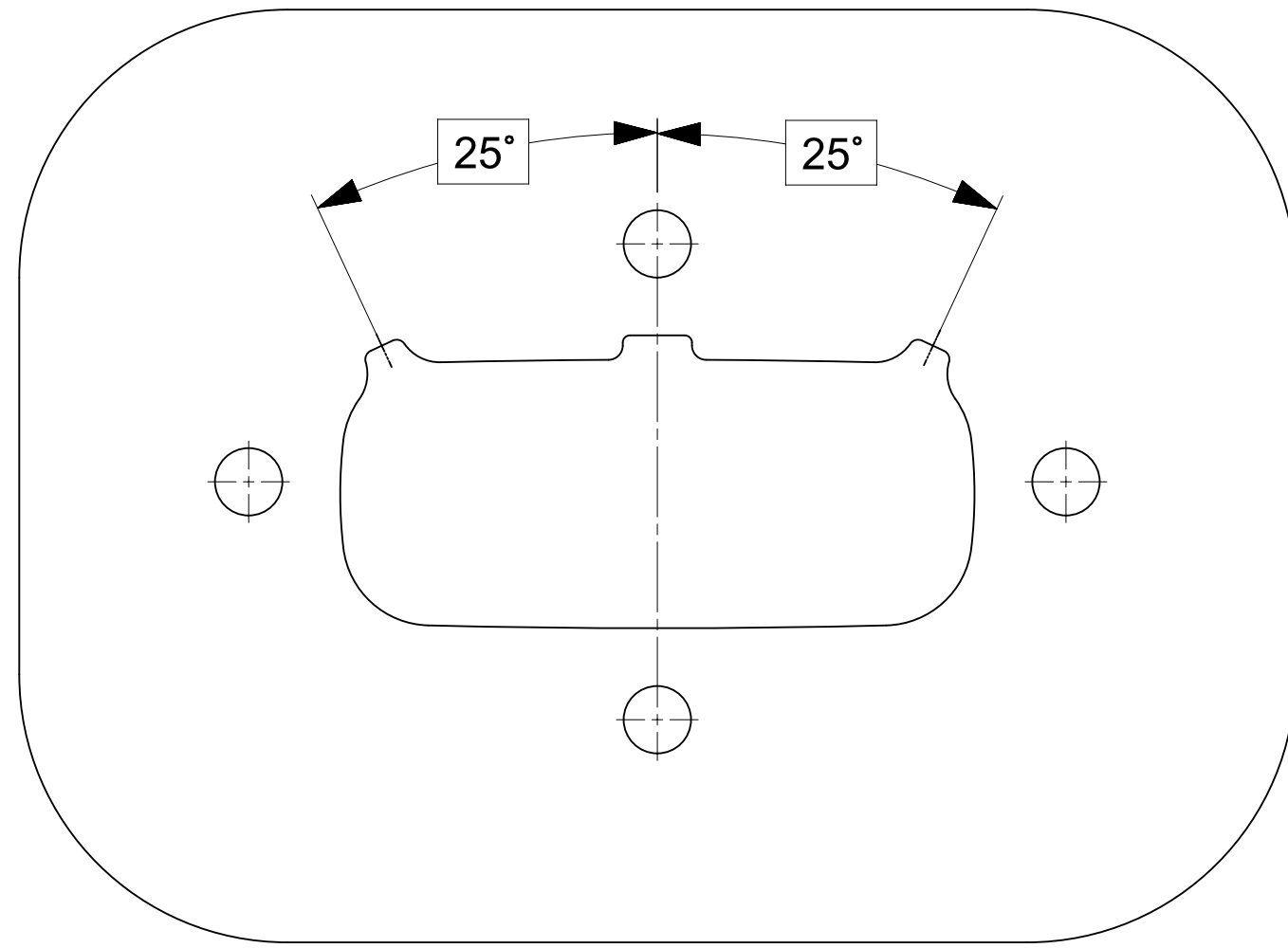
KEY A



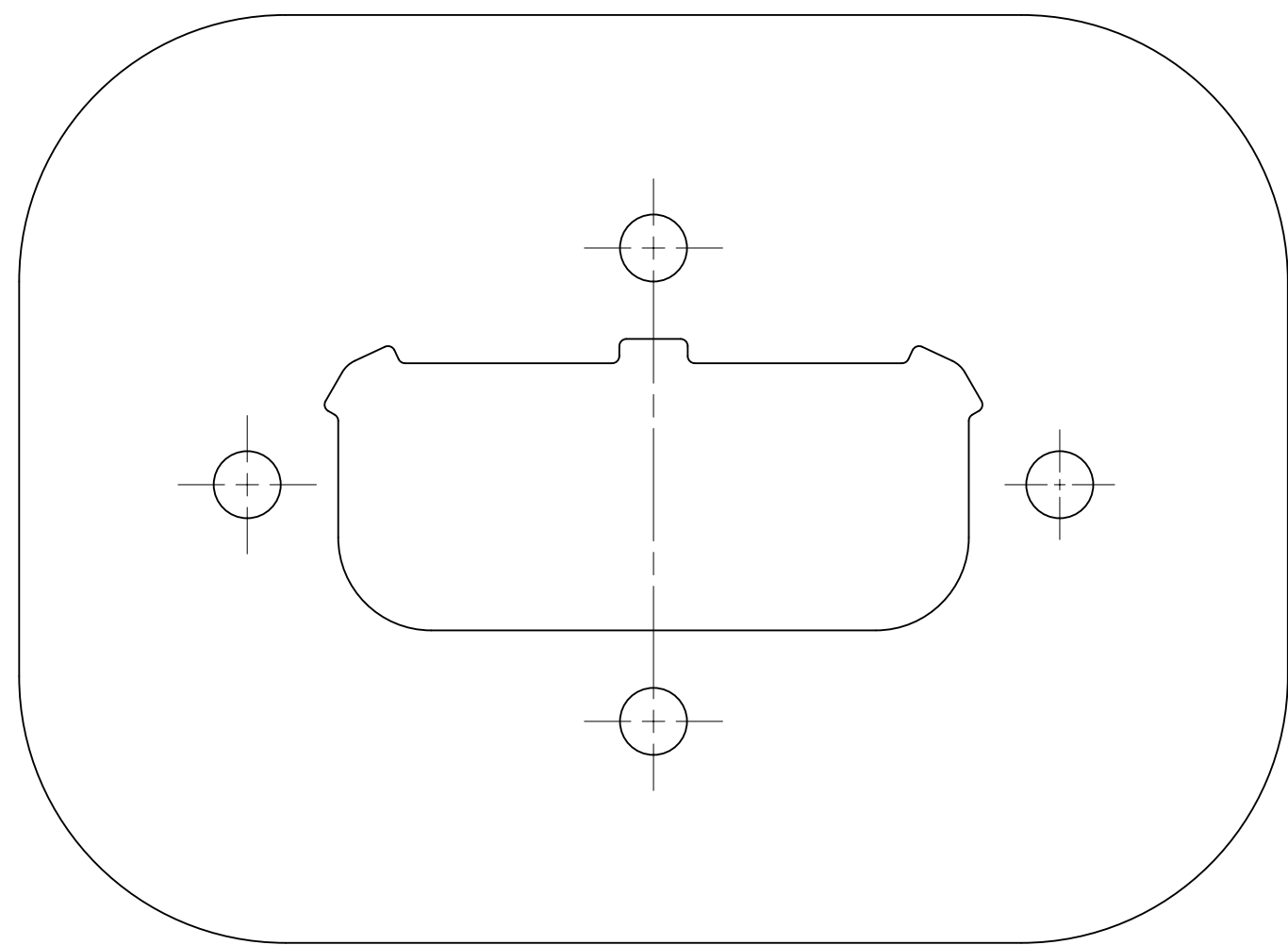
KEY B



KEY C

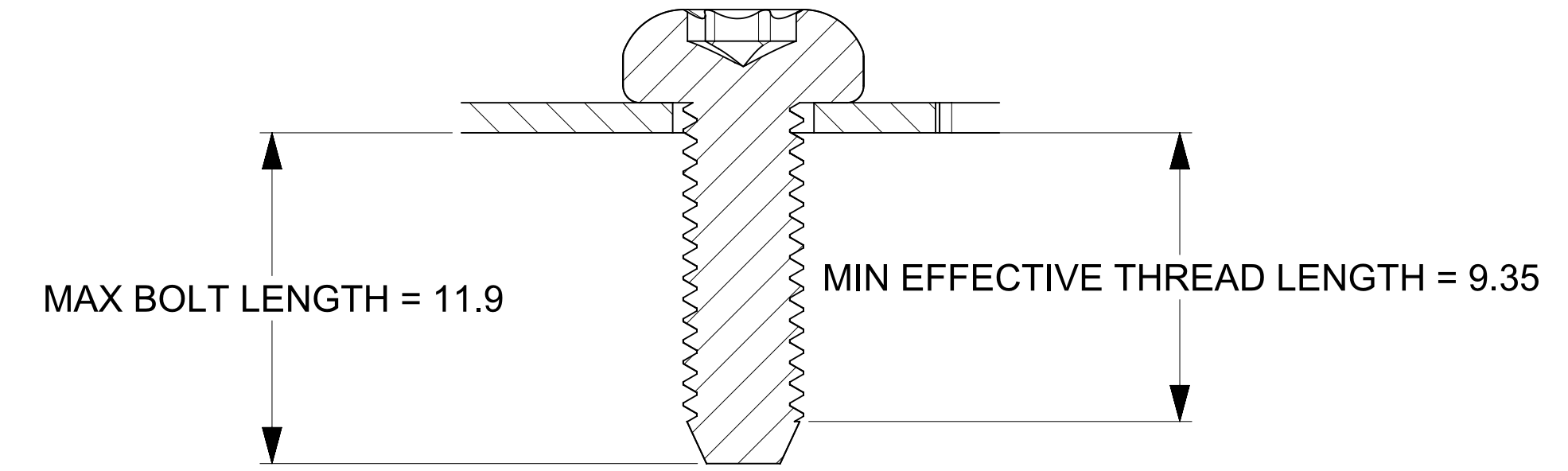


KEY D

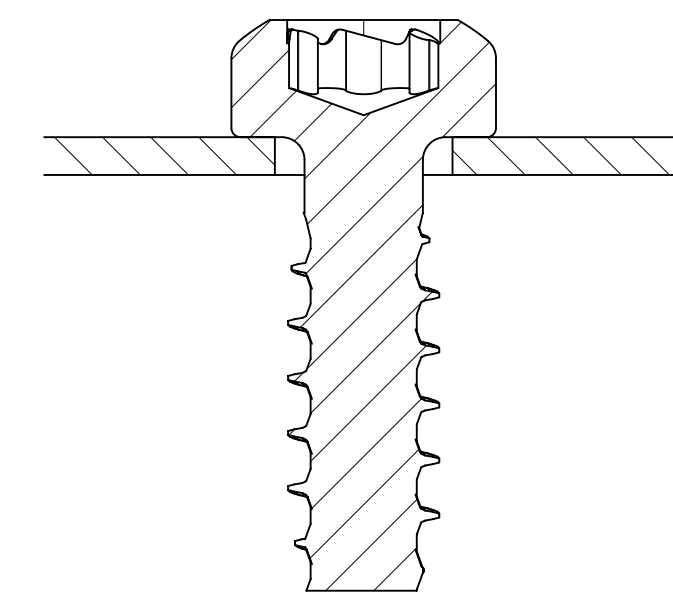


UNIVERSE KEY

BUSHING VERSION
M4 X 0.7 PER ISO 14583-2011
BOLT GRADE IS 8.8 Min
SCREW TORQUE REFER TO 2144680001-AS



SELF-TAPPING VERSION
EJOT Delta PT Schraube WN5452 40x12
SCREW TORQUE REFER TO 2144680001-AS



BOLT DEFINITION

SYMBOLS	THIS DRAWING CONTAINS INFORMATION THAT IS PROPRIETARY TO MOLEX ELECTRONIC TECHNOLOGIES, LLC AND SHOULD NOT BE USED WITHOUT WRITTEN PERMISSION		
	DIMENSION UNITS	SCALE	CURRENT REV DESC:
▽ = 0	mm	2:1	EC NO: CO-000000037 DRWN: Xu Yang 30-Jun-2022 CHK'D: Elvis Song 29-Sep-2022 APPR: Colin Zhang 29-Sep-2022
▽ = 0	GENERAL TOLERANCES (UNLESS SPECIFIED)		
▽ = 0	ANGULAR TOL	± 0.5°	INITIAL REVISION: DRWN: WKHE APPR:
▽ = 0	4 PLACES	± 0	
▽ = 0	3 PLACES	± 0	DOCUMENT NUMBER 2144680001
▽ = 0	2 PLACES	± 0.1	
▽ = 0	1 PLACE	± 0.2	DOC TYPE PSD
▽ = 0	0 PLACES	± 0	DOC PART 000
☒ = 0	DRAFT WHERE APPLICABLE MUST REMAIN WITHIN DIMENSIONS		REVISION B3
▽ = 0	THIRD ANGLE PROJECTION	DRAWING	MATERIAL NUMBER SEE BOM
		SERIES	CUSTOMER GENERAL MARKET
		D-SIZE	SHEET NUMBER 8 OF 9
		214468	

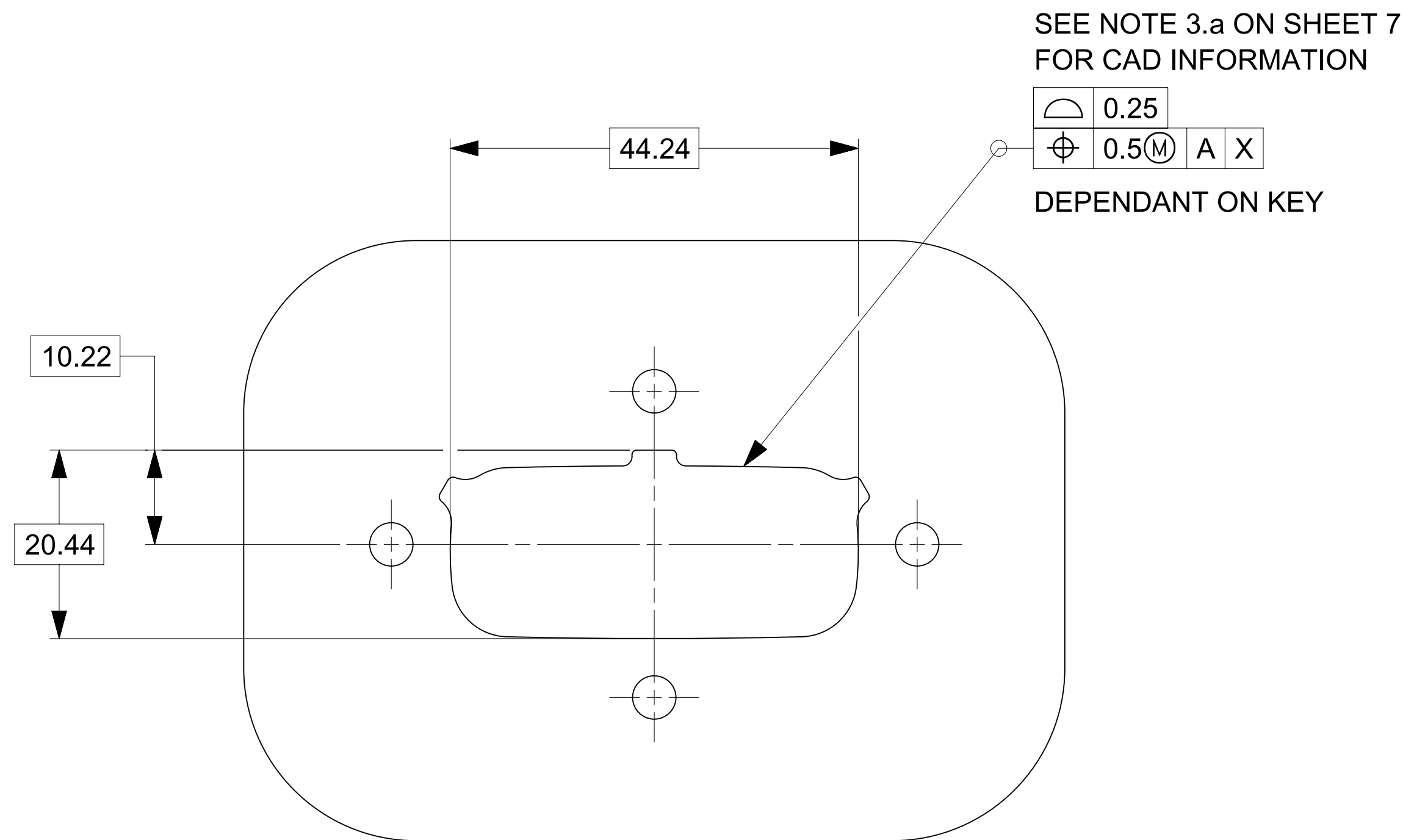
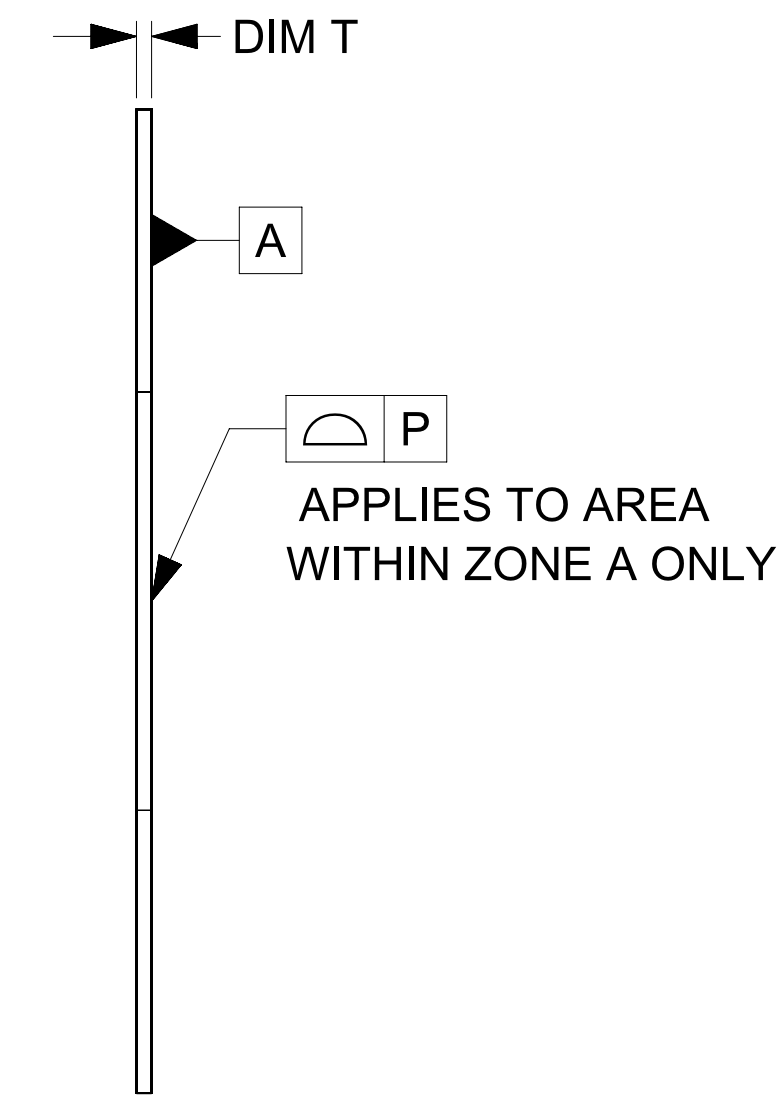
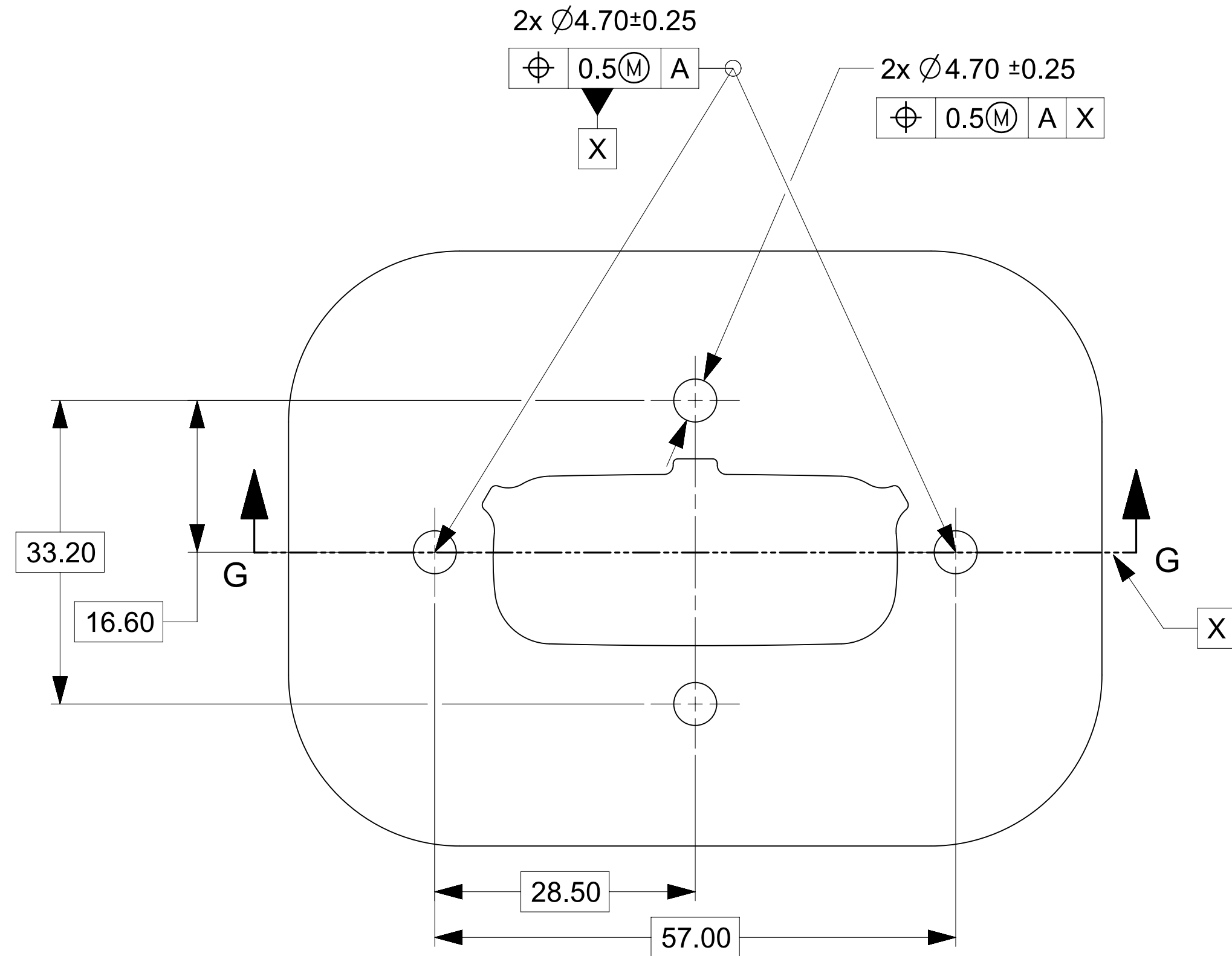
molex

MX150 20W PANEL MOUNT ASSY

PRODUCT SALES DRAWING

SHEET DESCRIPTION
PANEL MOUNT INTERFACE

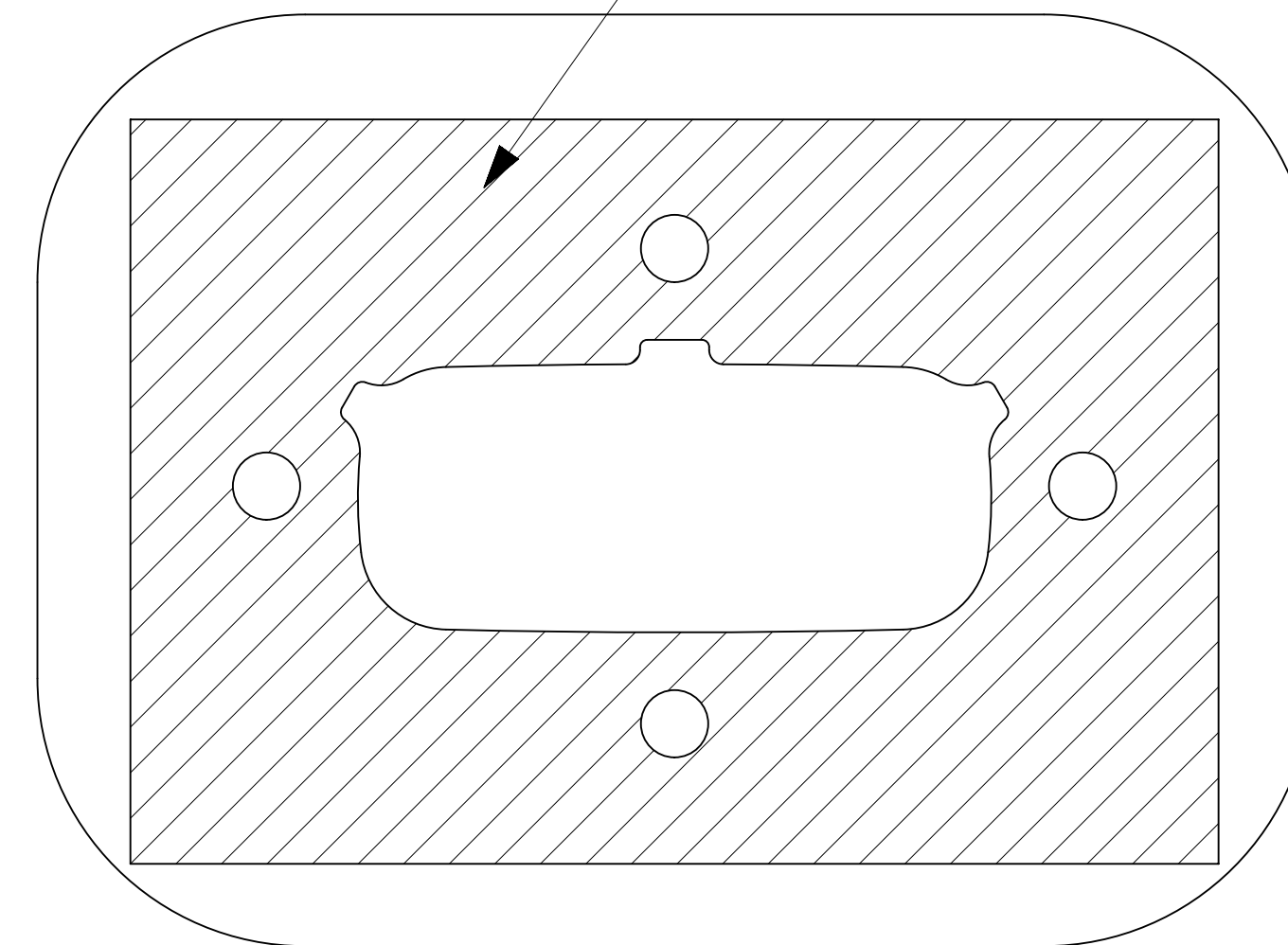
PANEL THICKNESS AND PROFILE TABLE	
PANEL THICKNESS T (mm) POST ECOATING	PANEL PROFILE TOLERANCE P (mm)
1.0 MIN ≤ T ≤ 1.5	0.5
1.5 < T ≤ 2.2	0.3
2.2 < T ≤ 3.1 MAX	0.2



SEE NOTE 3.a ON SHEET 7
FOR CAD INFORMATION

DEPENDANT ON KEY

BOUNDARY OF ZONE A
CONSTRUCTION OUTSIDE ZONE A IS NOT CONTROLLED.
NO PLASTIC FEATURE MAY EXTEND INTO ZONE A
SURFACE MUST BE FREE OF SURFACE
DEFECTS FOR SEALING FOR ALL AROUND
SEE NOTE 4.a ON SHEET 7



SYMBOLS	THIS DRAWING CONTAINS INFORMATION THAT IS PROPRIETARY TO MOLEX ELECTRONIC TECHNOLOGIES, LLC AND SHOULD NOT BE USED WITHOUT WRITTEN PERMISSION		CURRENT REV DESC:		molex
	DIMENSION UNITS	SCALE			
▽ = 0	mm	2:1			MX150 20W PANEL MOUNT ASSY
▽ = 0	GENERAL TOLERANCES (UNLESS SPECIFIED)				
▽ = 0	ANGULAR TOL ± 0.5°		EC NO: CO-000000037		PRODUCT SALES DRAWING
▽ = 0	4 PLACES	± 0	DRWN: Xu Yang 30-Jun-2022		
▽ = 0	3 PLACES	± 0	CHK'D: Elvis Song 29-Sep-2022		DOCUMENT NUMBER
▽ = 0	2 PLACES	± 0.1	APPR: Colin Zhang 29-Sep-2022		
▽ = 0	1 PLACE	± 0.2	INITIAL REVISION:		2144680001
▽ = 0	0 PLACES	± 0	DRWN: WKHE		
⊠ = 0	DRAFT WHERE APPLICABLE MUST REMAIN WITHIN DIMENSIONS		APPR:		DOC TYPE
⊠ = 0	THIRD ANGLE PROJECTION		DRAWING	SERIES	DOC PART
⊠ = 0	D-DRAWING		D-SIZE	214468	REVISION
			MATERIAL NUMBER	CUSTOMER	
			SEE BOM	GENERAL MARKET	
			SHEET NUMBER		
			9 OF 9		