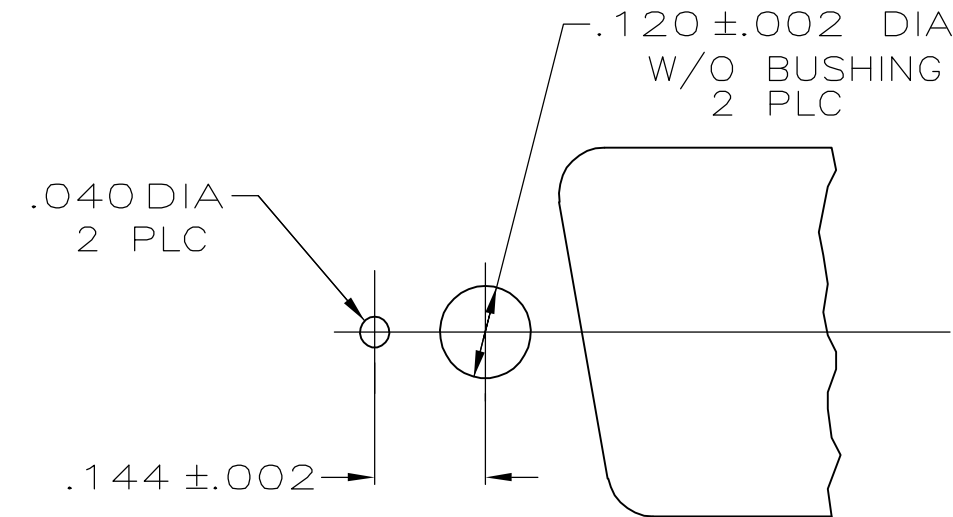
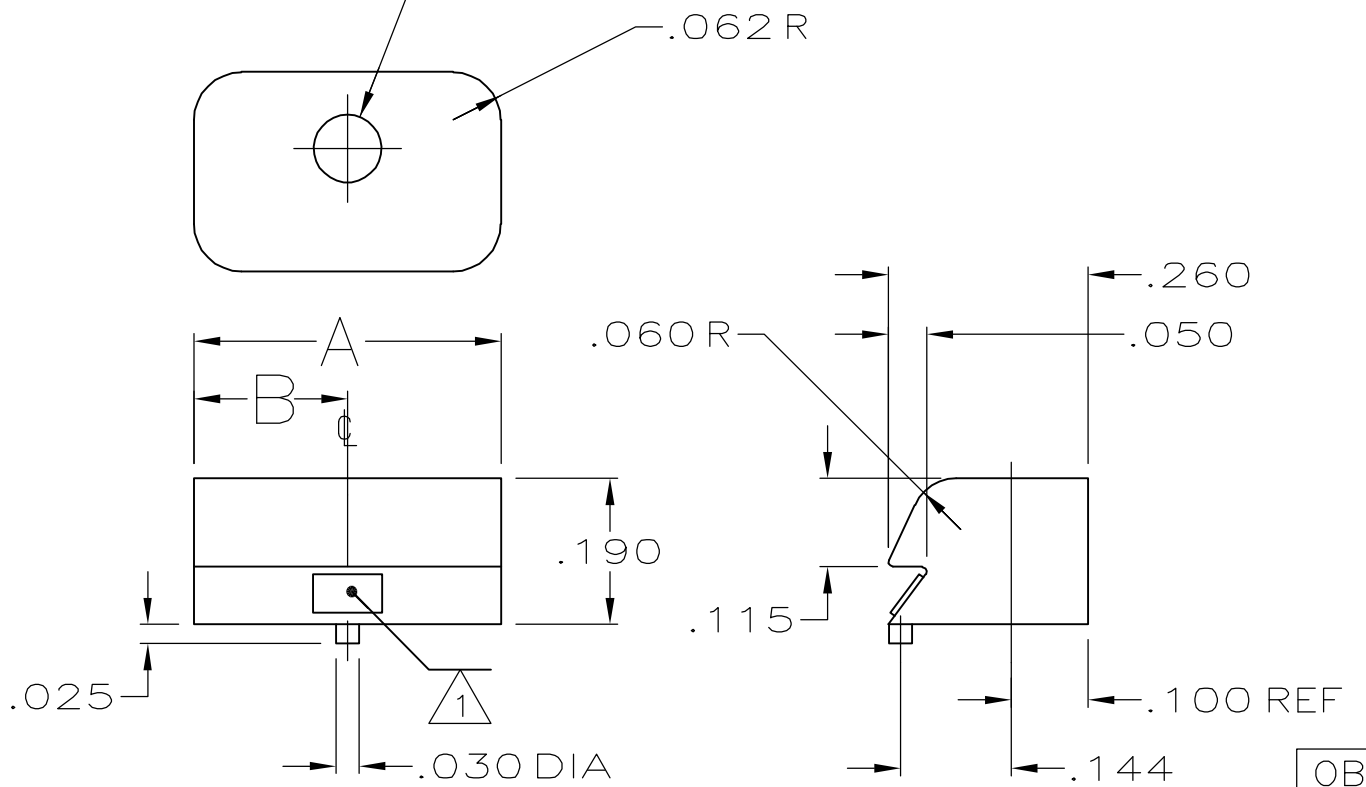


THIS DRAWING IS UNPUBLISHED. RELEASED FOR PUBLICATION
 © COPYRIGHT - BY TYCO ELECTRONICS CORPORATION. ALL RIGHTS RESERVED.

LOC	DIST	REVISIONS					
GP	00	P	LTR	DESCRIPTION	DATE	DWN	APVD
			J	REV PER EC 0S13-0331-05	26SEP06	JDP	CWR

THREAD TYPE I: M3 X 0.5-6H THREAD
 THREAD TYPE II: #4-40 UNC-2B THREAD



PANEL CUTOUT DETAIL
 NTS

OBS	BULK PACKAGED	2	.265	.530	I I	1-745403-2
OBS	ONE KIT PER BAG	2	.265	.530	I I	1-745403-1
OBS	BULK PACKAGED	2	.200	.400	I I	745403-9
	ONE KIT PER BAG	2	.200	.400	I I	745403-8
OBS	BULK PACKAGED	2	.265	.530	I	745403-6
OBS	ONE KIT PER BAG	2	.265	.530	I	745403-5
	BULK PACKAGED	2	.200	.400	I	745403-2
OBS	ONE KIT PER BAG	2	.200	.400	I	745403-1
	PACKAGING	QUANTITY	B	A	THREAD TYPE	PART NUMBER

1 THREAD IDENTIFICATION:
 FOR TYPE I THREAD IS M3,
 FOR TYPE II THREAD IS 4-40.

THIS DRAWING IS A CONTROLLED DOCUMENT.		DWN J GALLUCCI BG 4-16-90	Tyco Electronics Corporation Harrisburg, PA 17105-3608			
DIMENSIONS: INCHES		CHK W.G. LENKER 6-15-90				
TOLERANCES UNLESS OTHERWISE SPECIFIED:		APVD -	NAME LATCHING BLOCK, AMPLIMITE			
0 PLC ± - 1 PLC ± - 2 PLC ± - 3 PLC ± .005 4 PLC ± - ANGLES ± -		PRODUCT SPEC -	SIZE A3			
MATERIAL ZINC		FINISH	APPLICATION SPEC -	CAGE CODE 00779	DRAWING NO C-745403	RESTRICTED TO -
CUSTOMER DRAWING			WEIGHT -	SCALE 4:1	SHEET 1 OF 1	REV J