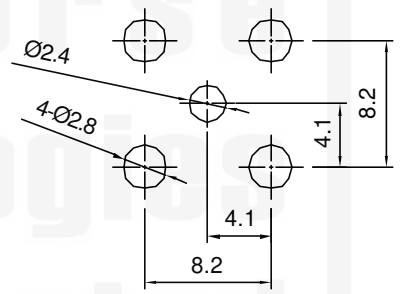
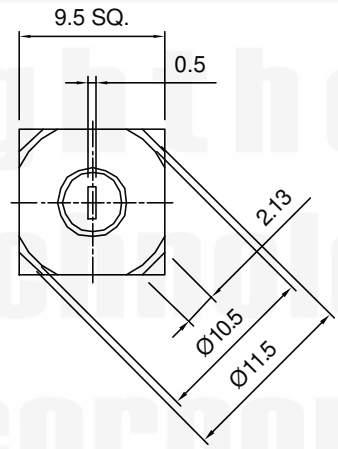
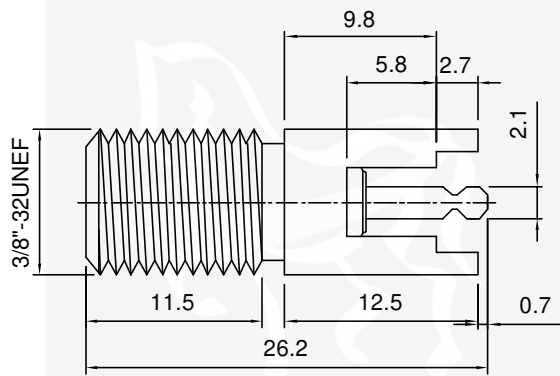


Tolerances
 1-20=+/-0.2
 20-30=+/-0.3
 30-40=+/-0.4
 40-50=+/-0.5
 50-100=+/-0.75
 100-300=+/-1.5
 Angles=+/-1
 Dimensions are in Millimeters

Revisions Description/Approved/Date	Approved M.H.	Date 02/05/99
	Checked M.H.	Date 02/05/99
	Drawn T.J.A.	Date 02/03/99


NOTES (plating thickness in micro-inches):

1. Per QQ-B-626	5. Per MIL-P-19468	9. Nickel pl. 100 min. over copper strike
2. Per QQ-S-764	6. Per ZZ-R-765	10. Per QQ-P-35
3. Per QQ-C-530	7. Per WW-T-799	11. Gold pl. 30 min. over nickel pl. 50 min. over copper strike
4. Per QQ-B-750	8. Gold pl. 5 min. over nickel pl. 50 min. over copper strike	



RECOMMENDED MOUNTING HOLE

ITEM	MATERIAL	FINISH
Connector Body	Brass, Note 1	Nickel, Note 9
Center Contact: Female	Brass, Note 1	Nickel, Note 9
Insulation	Polypropylene	None
Ferrule	--	--
Gasket	--	--
Hex Nut	--	--
Lock Washer	--	--



Lighthouse Technologies, Inc.
 9511 Ridgehaven Ct, Suite B
 San Diego, California 92123
 Part Number:
LTI-FSF54LNP

Description
 F vertical PCB thru hole jack, long leg type

Nickel plated brass body, Polypropylene dielectric.

Scale 2:1	Drawing No. FSF54LNP	File Name FSF54L
--------------	-------------------------	---------------------