

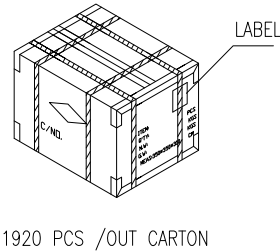
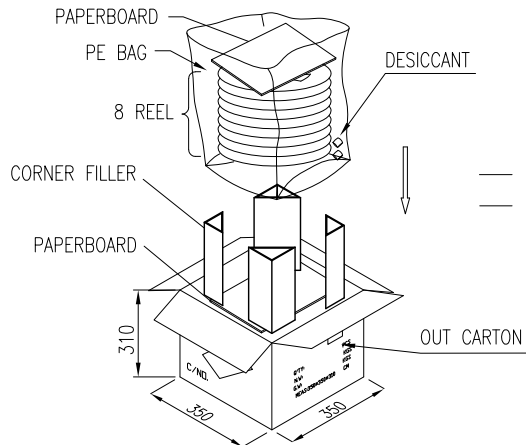
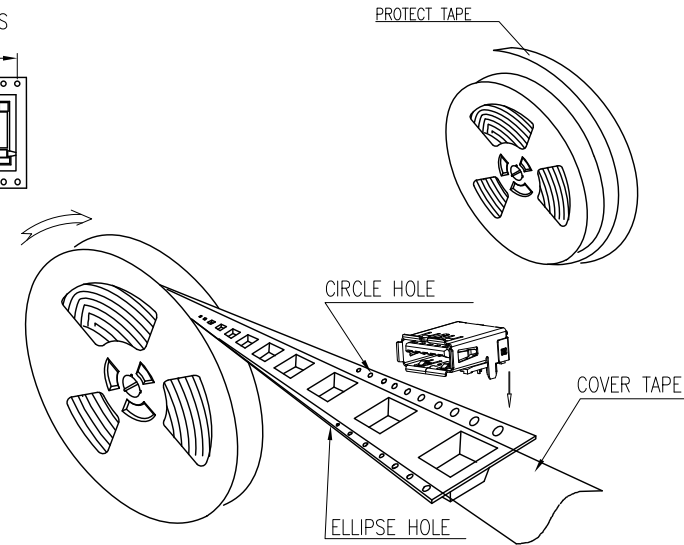
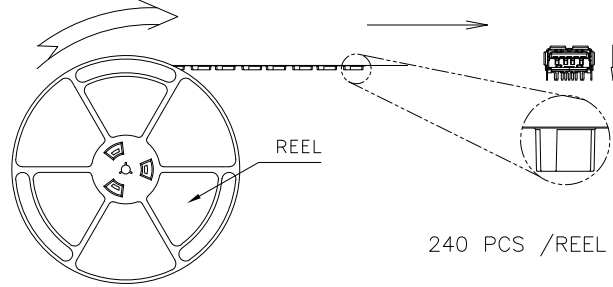
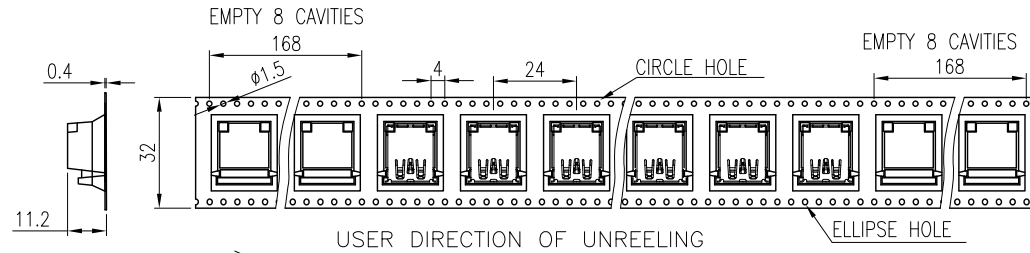
This document is the property of Amphenol Corporation and is delivered on the express condition that is not to be disclosed, reproduced or used, in whole or in part, for manufacture or sale by anyone other than Amphenol Corporation without its prior consent, and that no right is granted to disclose or to use any information in this document.
The marking on this product doesn't contain environmental hazardous materials per directive 2011/65/EU & 2015/863/EU for RoHS compliant and per IEC 61249-2-21 for Halogen-Free compliant.



ORIGINAL



REVISIONS				
SYM	ECN No.	DESCRIPTION	DATE	By
A	NE-17052	RELEASE REVISION	04/24/2017	Arron Lin
B	NE-17271	ADD TAIL 3.30 OPTION	11/17/2017	Sondra Sang
C	NE-18266	ADD TOLERANCE 1.96 ±0.1	12/27/2018	Roger Tsai
D	NE-20034	ADD PIN ASSIGNMENT AND DIM	03/24/2020	Roger Tsai
E	NE-21103	ADD SECTION A-A AND UPDATE PACKING DRAWING	2021/08/09	Debby Hung



PACKAGING BY T&R	7.83	4.52	240	8	1920	GSB3111XXX5H4HR
	G/W KG	N/W KG	PCS/ REEL	REELS/ BOX	QUANTITY (PCS)	PART NUMBER

TOLERANCE	APPROVALS	DATE	TITLE		PART No.	
X. ±0.30	DRAWN Debby Hung	2021/08/09	USB 3.0 CONN. A TYPE RECEPTACLE R/A DIP TYPE W/FLANGE		Amphenol [®] Amphenol Corporation Amphenol Taiwan Corporation	
X.X ±0.20	CHECKED Sandy Wu	2021/08/09				
X.XXX ±0.10	APPROVED Roger Tsai	2021/08/09				
ANGULAR ±1°	DWG TYPE CUST DWG	PROJECT CODE OTHER	UNIT mm	SCALE NA	SIZE A3	SHEET 2 OF 2
UNLESS OTHERWISE SPECIFIED					GSB3111XXX5H4HR GSB3111XXX5H4HR	REV. E