

THIS DRAWING IS UNPUBLISHED.

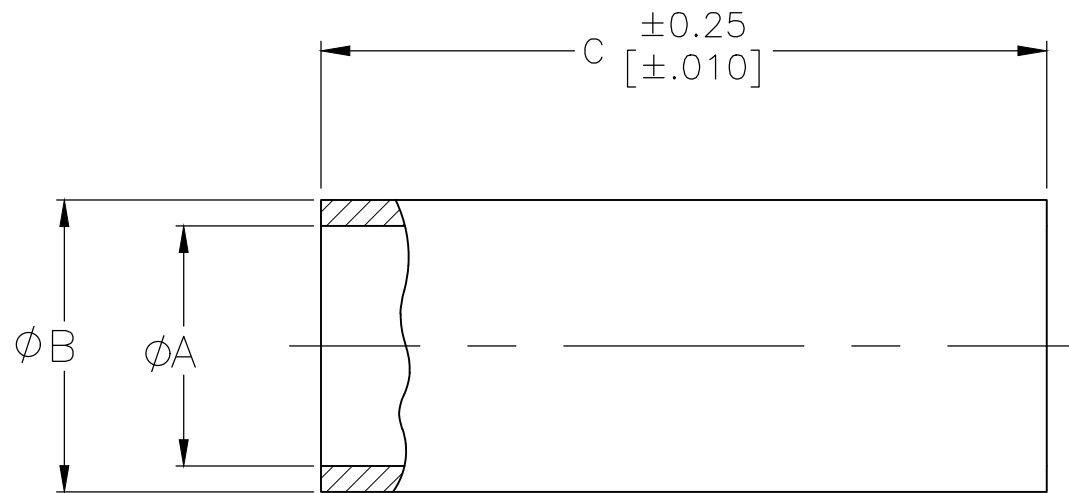
RELEASED FOR PUBLICATION

ALL RIGHTS RESERVED.

© COPYRIGHT - TE Connectivity Ltd.

REVISIONS

P	LTR	DESCRIPTION	DATE	DWN	APVD
	G1	REVISED PER ECR-18-013940	04SEP2018	ED	RS



9.60 [.380]	3.15 [.124]	2.49 [.098]	△4	9-413889-4
9.60 [.380]	4.55 [.179]	3.51 [.138]	△4	9-413889-3
9.60 [.380]	3.86 [.152]	3.20 [.126]	△4	9-413889-2
9.60 [.380]	4.55 [.179]	3.51 [.138]	△6	9-413889-1
9.60 [.380]	3.86 [.152]	3.20 [.126]	△6	9-413889-0
9.60 [.380]	4.55 [.179]	3.51 [.138]	△4	3-413889-4
7.87 [.310]	3.15 [.124]	2.49 [.098]	△4	3-413889-3
7.87 [.310]	4.55 [.179]	3.20 [.138]	△4	3-413889-2
7.87 [.310]	3.86 [.152]	3.20 [.126]	△4	3-413889-1
7.87 [.310]	3.15 [.124]	2.49 [.098]	△3	3-413889-0
7.87 [.310]	4.55 [.179]	3.51 [.138]	△3	2-413889-7
7.87 [.310]	3.86 [.152]	3.20 [.126]	△3	2-413889-4
9.60 [.380]	3.86 [.152]	3.20 [.126]	△5	2-413889-1
9.60 [.380]	3.86 [.152]	2.67 [.105]	△4	2-413889-0
9.60 [.380]	3.15 [.124]	2.49 [.098]	△4	1-413889-9
9.60 [.380]	4.55 [.179]	3.51 [.138]	△4	1-413889-8
9.60 [.380]	3.86 [.152]	3.20 [.126]	△4	1-413889-7
9.60 [.380]	3.86 [.152]	2.67 [.105]	△3	1-413889-6
9.60 [.380]	3.15 [.124]	2.49 [.098]	△3	1-413889-5
9.60 [.380]	4.55 [.179]	3.51 [.138]	△3	1-413889-4
9.60 [.380]	3.86 [.152]	3.20 [.126]	△3	1-413889-3
9.60 [.380]	3.86 [.152]	2.67 [.105]	△2	1-413889-2
9.60 [.380]	3.15 [.124]	2.49 [.098]	△2	413889-9
9.60 [.380]	4.55 [.179]	3.51 [.138]	△2	413889-6
9.60 [.380]	3.86 [.152]	3.20 [.126]	△2	413889-3

OBSOLETE

- △1 COPPER ALLOY
- △2 BRIGHT TIN-LEAD PLATE PER ASTM B 545 WITH SUPPLEMENTAL ANTI-FRETTING LUBRICANT.
- △3 NICKEL PLATE.
- △4 GOLD PLATE
- △5 BLACK NICKEL PLATE.
- △6 TIN PLATE PER ASTM B 545 WITH SUPPLEMENTAL ANTI-FRETTING LUBRICANT.

THIS DRAWING IS A CONTROLLED DOCUMENT.

DWN M. O'BRINE 29OCT99

CHK B. MOYER 29OCT99

APVD B. MOYER 29OCT99

PRODUCT SPEC

APPLICATION SPEC

WEIGHT 0.000000

CUSTOMER DRAWING



NAME

SIZE CAGE CODE DRAWING NO RESTRICTED TO

— FERRULE

—

A3 00779 C-413889

SCALE 10:1 SHEET 1 OF 1 REV G1

DIMENSIONS: mm [INCHES]

TOLERANCES UNLESS OTHERWISE SPECIFIED:

0 PLC	± -
1 PLC	± -
2 PLC	± 0.05 [.002]
3 PLC	± -
4 PLC	± -
ANGLES	± -
FINISH	SEE TABLE

