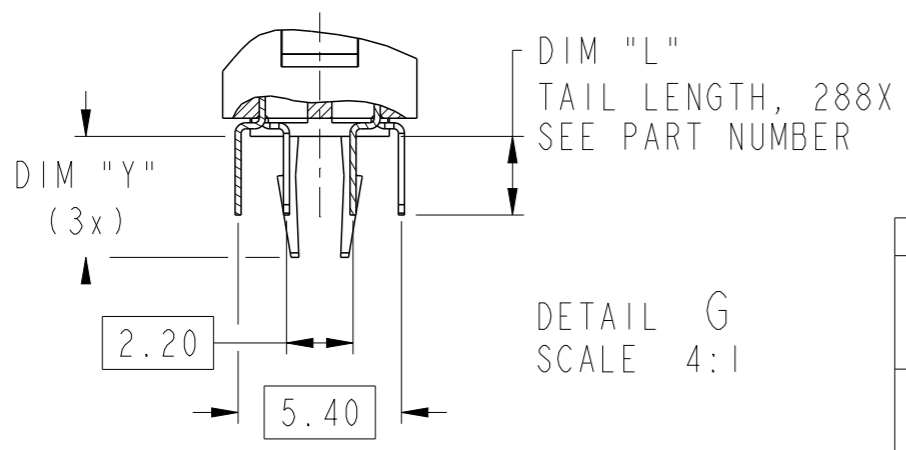
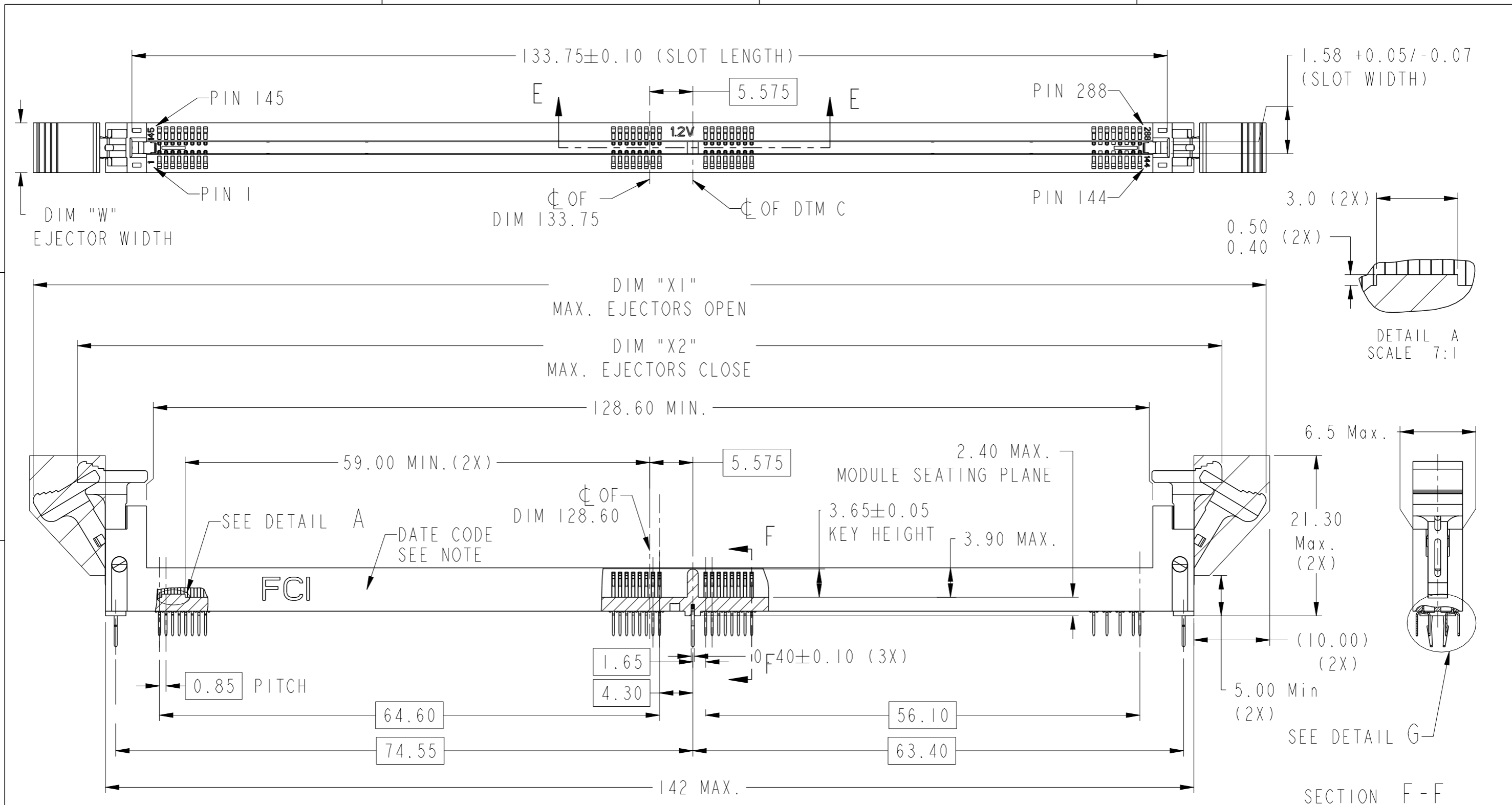


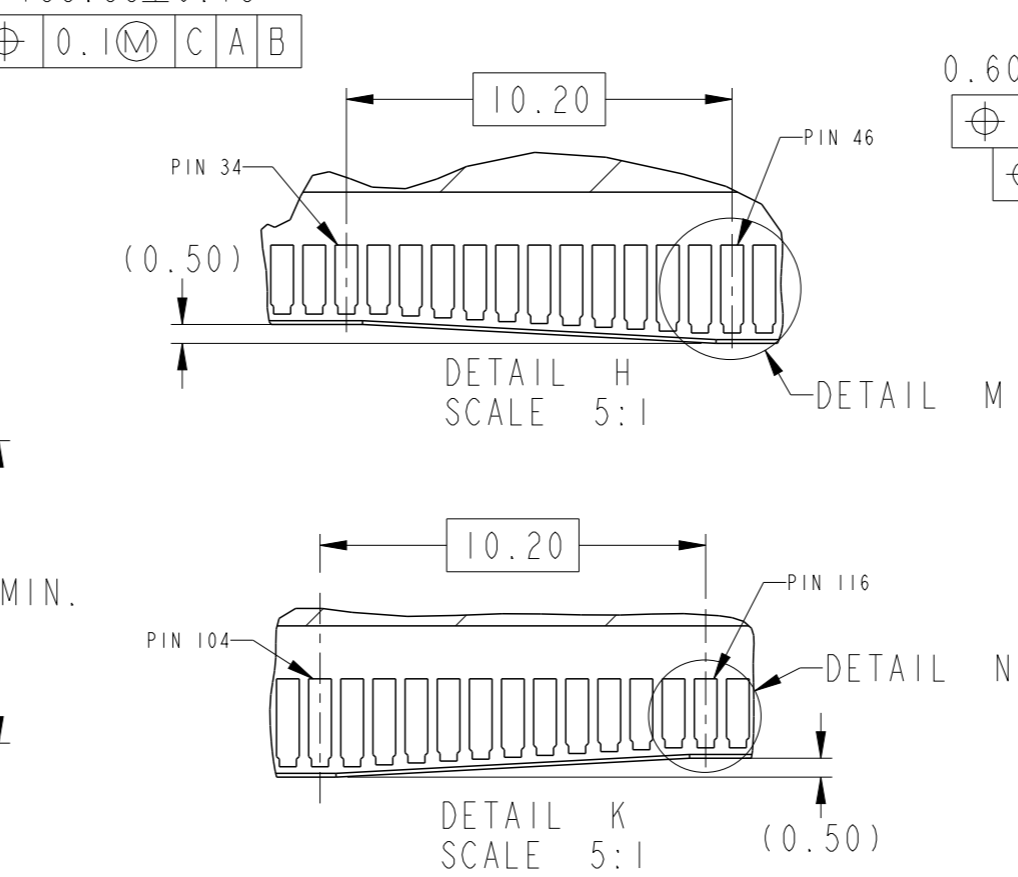
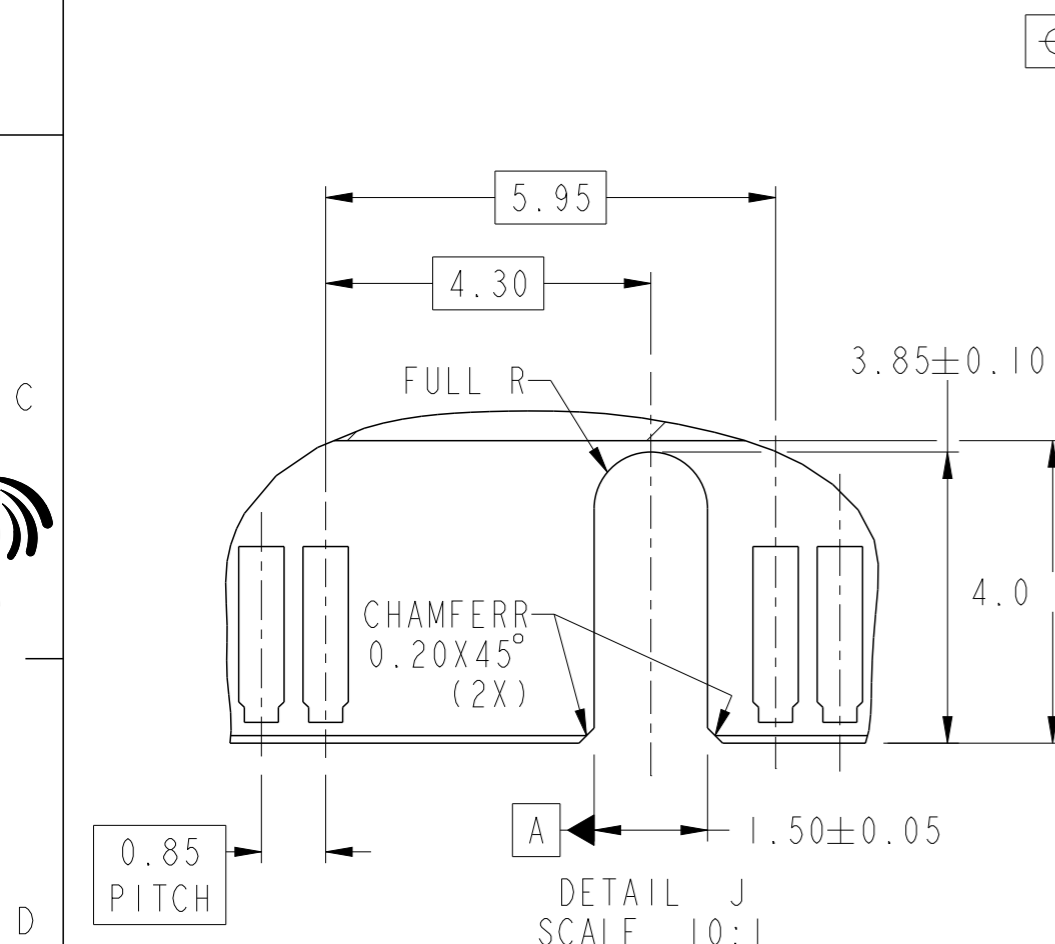
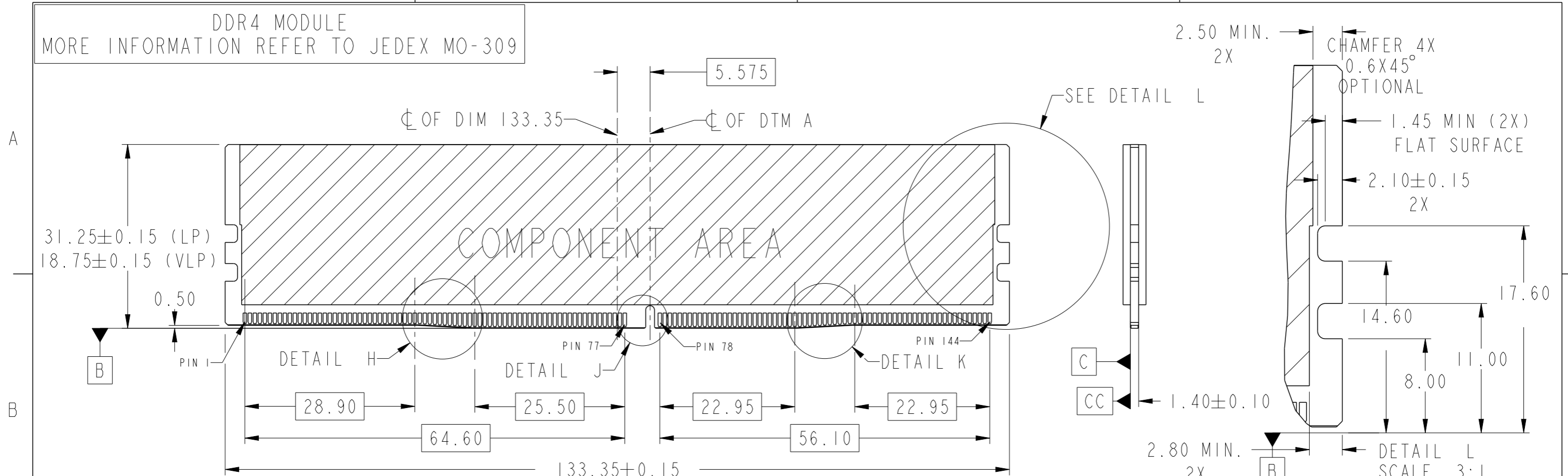


Copyright FCI.



spec ref	dr	Nickor Zuo	2014/02/04	projection	MM	size	A3	scale	7:5	
tolerance std	eng	Jeny Ren	2015/07/17			ecn no	ELX-DG-21430-1			
TOLERANCES UNLESS OTHERWISE SPECIFIED	chr	Nickor Zuo	2015/07/20			rel level	Released			
	surface	appr	Pei-Ming Zheng	2015/07/20	product family	-				
ISO 1302	linear	0.X	±0.30		DDR4 288Pin DIMM CONNECTOR PTH TERMINATION (FOR CISCO)	dwg no	10129040		rev	C
		0.XX	±0.20			cat. no.	-		Product - Customer Drw	sheet 1 of 5
	angular	0°	±2°			www.fci.com				

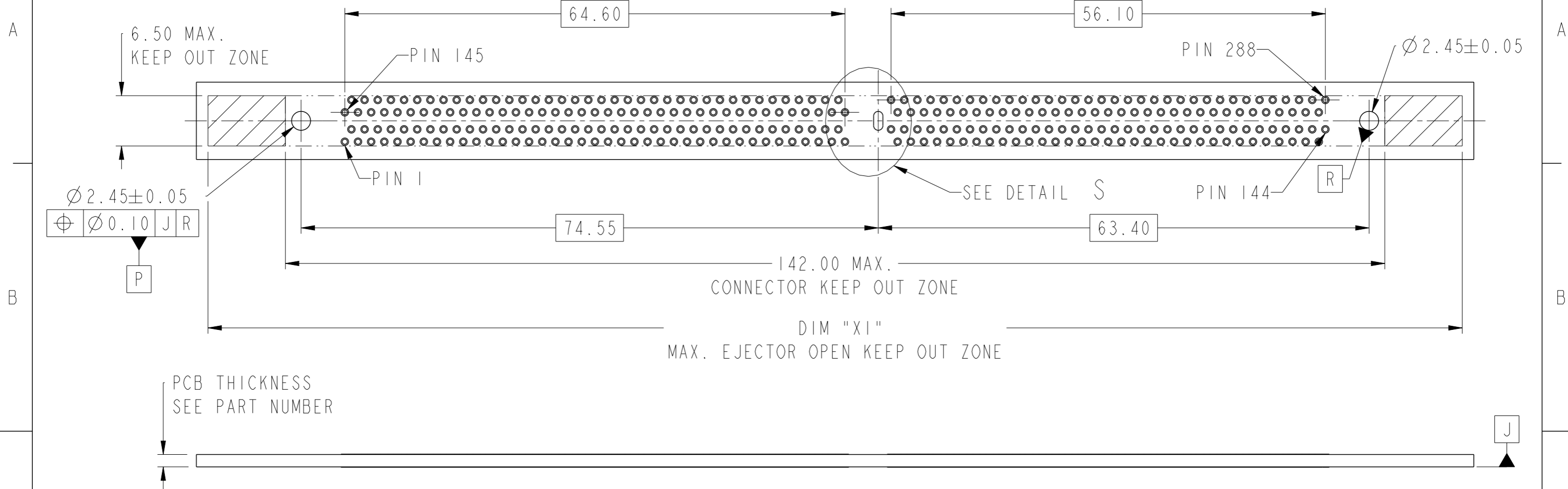
DDR4 MODULE  
MORE INFORMATION REFER TO JEDEX MO-309



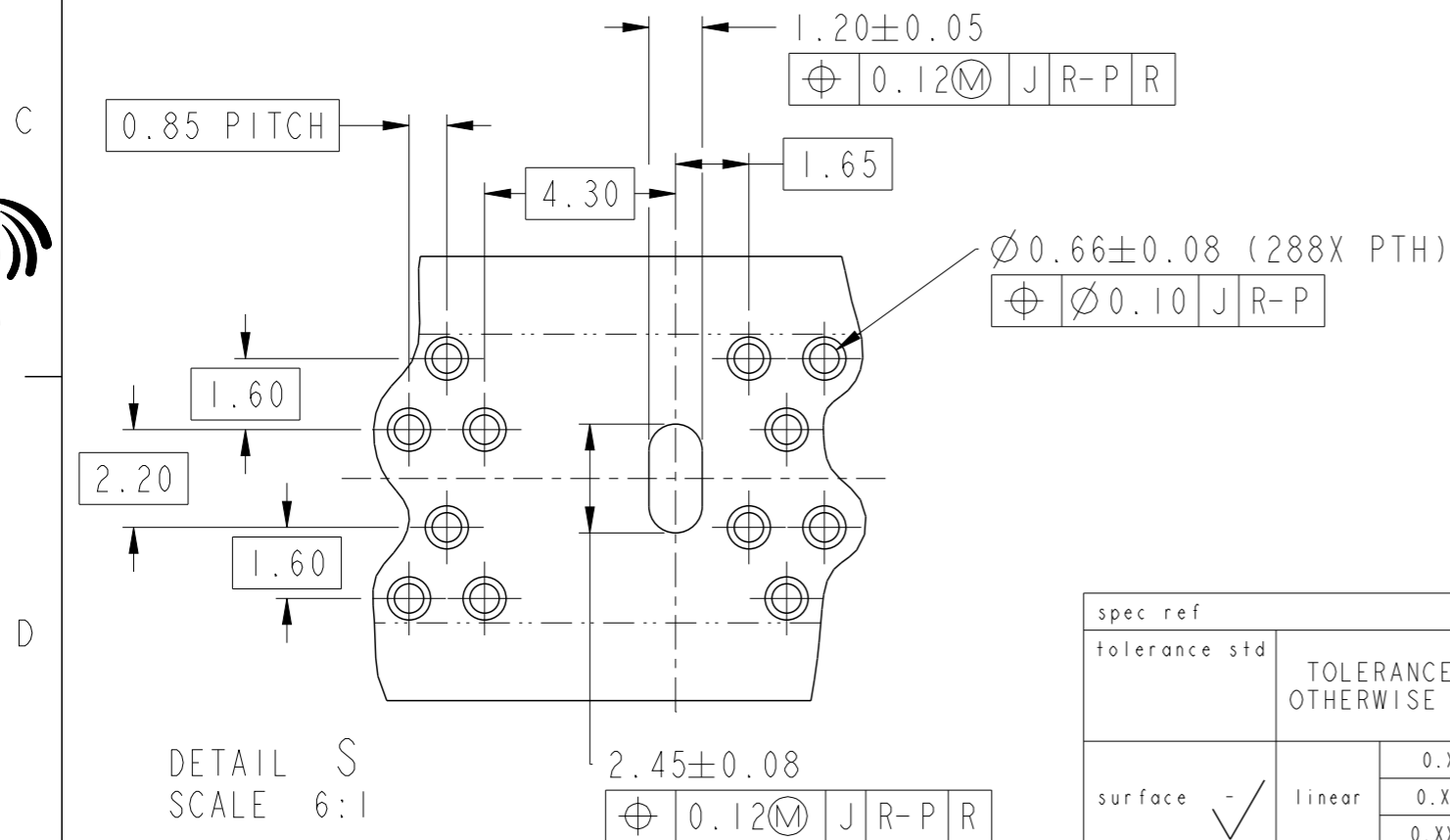
spec ref	dr	Nickor Zuo	2014/02/04	projection	MM	size	A3	scale	1:1			
tolerance std	eng	Jeny Ren	2015/07/17			ecn no	ELX-DG-21430-1					
TOLERANCES UNLESS OTHERWISE SPECIFIED	chr	Nickor Zuo	2015/07/20			rel level	Released					
	surface	appr	Pei-Ming Zheng	2015/07/20	product family	-						
ISO 1302	linear	0.X	±0.30		DDR4 288Pin DIMM CONNECTOR PTH TERMINATION (FOR CISCO)	dwg no 10129040	rev C	www.fci.com				
		0.XX	±0.20					cat. no.	-		Product - Customer Drw	sheet 2 of 5
	angular	0°	±2°					PDS: Rev :C		STATUS:Released		Printed: Jul 21, 2015

Copyright FCI.

# RECOMMENDED PCB LAYOUT OPTION I



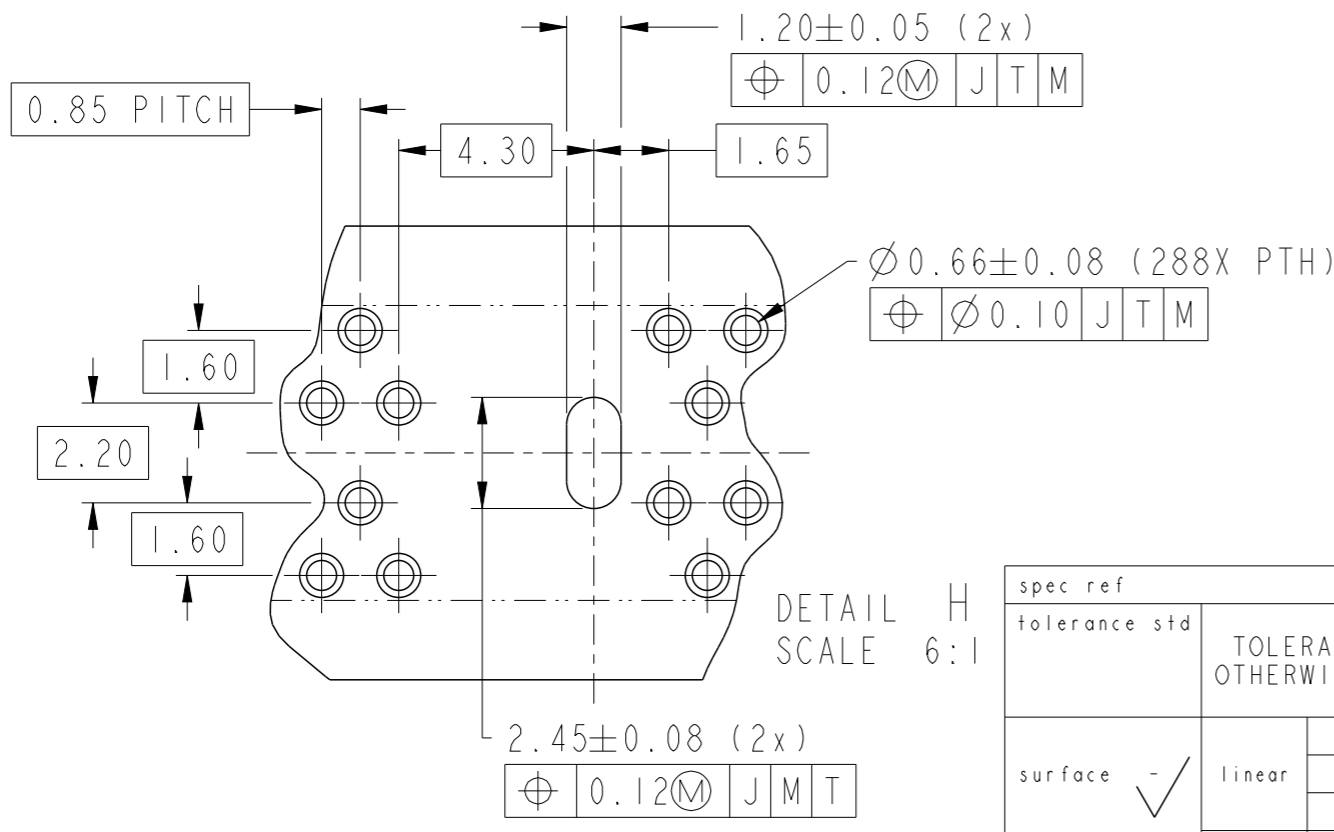
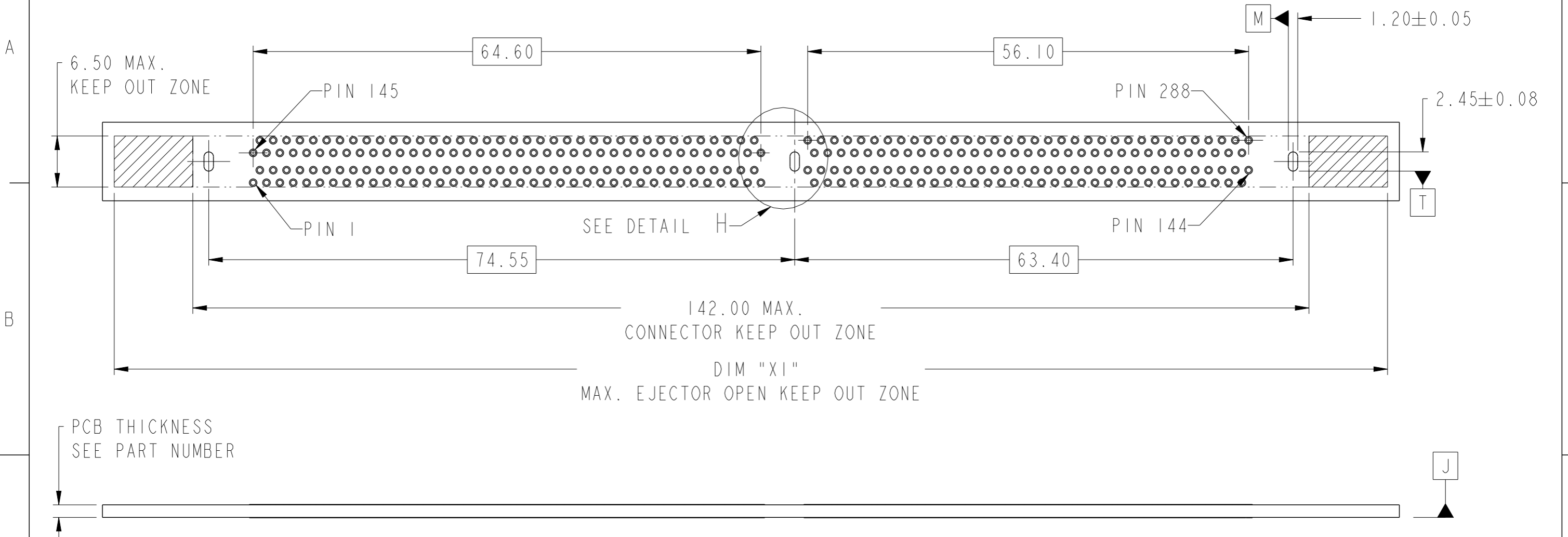
PCB THICKNESS  
SEE PART NUMBER



DETAIL S  
SCALE 6:1

spec ref	dr	Nickor Zuo	2014/02/04	projection	MM	size	A3	scale	2:1	
tolerance std	eng	Jeny Ren	2015/07/17			ecn no	ELX-DG-21430-1			
TOLERANCES UNLESS OTHERWISE SPECIFIED		chr	Nickor Zuo			2015/07/20	rel level	Released		
surface	ISO 1302	appr	Pei-Ming Zheng	2015/07/20	product family			cat. no.	-	
linear	0.X ±0.30			product name	DDR4 288Pin DIMM CONNECTOR		dwg no	10129040	rev	C
linear	0.XX ±0.20	www.fci.com		product name	PTH TERMINATION (FOR CISCO)		Product - Customer Drw		sheet 3 of 5	
linear	0.XXX ±0.10			product name			STATUS:Released		Printed: Jul 21, 2015	
angular	0° ±2°			product name			PDS: Rev :C			

# RECOMMENDED PCB LAYOUT OPTION2



spec ref	dr	Nickor Zuo	2014/02/04	projection	MM	size	A3	scale	1:1			
tolerance std	eng	Jeny Ren	2015/07/17			ecn no	ELX-DG-21430-1					
TOLERANCES UNLESS OTHERWISE SPECIFIED	chr	Nickor Zuo	2015/07/20			rel level	Released					
	surface	appr	Pei-Ming Zheng	2015/07/20	product family							
ISO 1302	linear	0.X	±0.30		DDR4 288Pin DIMM CONNECTOR PTH TERMINATION (FOR CISCO)	dwg no 10129040	rev C					
		0.XX	±0.20					cat. no.	-	Product - Customer Drw	sheet 4 of 5	
	angular	0°	±2°									

Copyright FCI.

# PRODUCT PART NUMBER

10129040 -

## ADDITIONAL REQUIREMENTS

0: RoHS COMPLIANT

## HOLD DOWNS CONFIGURATIONS

0: 3 FORKLOCKS, DIM "Y" = 4.00 ± 0.25  
 1: 3 FORKLOCKS, DIM "Y" = 2.50 ± 0.25  
 2: 3 FORKLOCKS, DIM "Y" = 3.78 ± 0.25

## DIM "L", TAIL LENGTH

0: 2.60 ± 0.25  
 1: 3.20 ± 0.25  
 3: 2.40 ± 0.25  
 4: 2.10 + 0.25 / - 0.15  
 5: 2.95 ± 0.25  
 6: 2.80 ± 0.15

## HOUSING COLOR

0: NATURAL  
 1: BLACK  
 2: BLUE

## EJECTOR TYPE

CODE	COLOR	DIM "X1" MAX. EJECTORS OPEN DISTANCE	DIM "X2" MAX. EJECTORS CLOSE DISTANCE	DIM "W" EJECTOR WIDTH
0	NATURAL	162.00	149.00	(6.42)
1	BLACK			
2	BLUE			

## TAIL PLATING

LF: 100u" MIN. MATE TIN  
 TL: 100u" MIN. TIN LEAD

## CONTACT AREA PLATING

CODE	CONTACT AREA	UNDERPLATING
1	15u" MIN. GOLD	50u" MIN. NICKEL
3	30u" MIN. GOLD	
4	30u" MIN. GXT	
5	15u" MIN. GXT	90u" MIN. NICKEL
6	30u" MIN. GOLD	
7	15u" MIN. GOLD	

## CONTACTS LUBRICATION

0: WITHOUT  
 1: WITH

## NOTES:

- MATERIALS:  
 HOUSING: HIGH PERFORMANCE RESINS, GLASS FIBER FILLED, UL94 V-0 RATED.  
 EJECTOR: HIGH PERFORMANCE RESINS, GLASS FIBER FILLED, UL94 V-0 RATED.  
 TERMINAL: COPPER ALLOY  
 FORKLOCK: COPPER ALLOY
- DATE CODE "MMDDYYL", MMDDYY IS ASSEMBLY DATE, L IS FCI PRODUCTION LINE.
- SPECIFICATION:  
 PRODUCTION SPECIFICATION: FCI GS-12-1092.  
 PACKAGE SPECIFICATION: FCI GS-14-2267.  
 APPLICATION SPECIFICATION: FCI GS-20-0353.
- LEAD FREE PRODUCT MEETS EUROPEAN UNION DIRECTIVES AND OTHER COUNTRY REGULATIONS AS DESCRIBED IN FCI GS-22-008.
- THIS PRODUCT WILL WITHSTAND EXPOSURE TO 260°C PEAK TEMPERATURE FOR 10 SECONDS IN WAVE SOLDERING APPLICATION.
- INSERTION FORCE REFERENCE: 106.8 NEWTONS MAX. USING 1.50MM THICKNESS STEEL GAUGE PER JEDEC STANDARD.

dr	Nickor Zuo	2014/02/04	projection	MM	size	A3	scale	1:1
eng	Jeny Ren	2015/07/17		← →	ecn no	ELX-DG-21430-1		
chr	Nickor Zuo	2015/07/20			product family	-	rel level	Released
appr	Pei-Ming Zheng	2015/07/20	www.fci.com		cat. no.	-	Product - Customer Drw	sheet 5 of 5
		DDR4 288Pin DIMM CONNECTOR			dwg no	10129040		rev
		PTH TERMINATION (FOR CISCO)						C

