

Male connector, field-attachable

V1S-W-BK

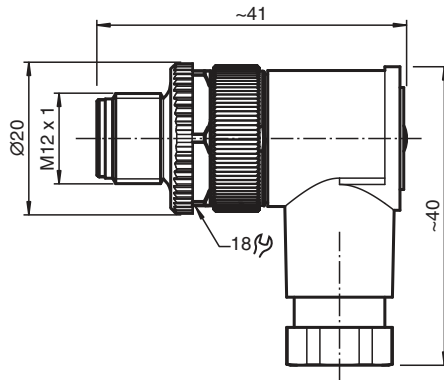


- Field-attachable
- Screw terminal connection
- Metal locking
- Knurled nut suitable for tool assembly
- cURus approval

Male connector M12 angled A-coded 4-pin, for cable diameter 4 - 6 mm, field-attachable



Dimensions



Technical Data

General specifications			
Connector 1			
Connection			plug
Construction type			M12
Style			angled
Locking			screw connection
Number of pins			4
Coding			A-coded
Customization			Coding rotateable in steps of 90°
UL File Number			E363587
Electrical specifications			
Operating voltage	U _B		max. 250 V AC/DC
Operating current	I _B		max. 4 A
Insulation resistance			min. 100 MΩ
Conformity			
Degree of protection			EN 60529
Plug connection			connector M12 x 1 : IEC 61076-2-101

Release date: 2023-05-04 Date of issue: 2023-05-04 Filename: 224886_eng.pdf

Refer to "General Notes Relating to Pepperl+Fuchs Product Information".

Pepperl+Fuchs Group
www.pepperl-fuchs.com

USA: +1 330 486 0001
fa-info@us.pepperl-fuchs.com

Germany: +49 621 776 1111
fa-info@de.pepperl-fuchs.com

Singapore: +65 6779 9091
fa-info@sg.pepperl-fuchs.com

PEPPERL+FUCHS

Technical Data

Ambient conditions

Ambient temperature	-40 ... 85 °C (-40 ... 185 °F)
Pollution degree	3

Mechanical specifications

Plug connector	
Tightening torque	0.6 Nm
Tool installation	straight knurling , hexagon nut SW = 18 mm
Mating cycles	min. 50
Degree of protection	IP67
Connection	screw terminals for max. 0.75 mm ² / AWG 18
Cable	
Sheath diameter	4 ... 6 mm
Mass	20.42 g

Material

Plug connector	
Screw connection	CuZn, nickel-plated
Body	PA, black
Contact surface	CuSnZn

Connection Assignment

