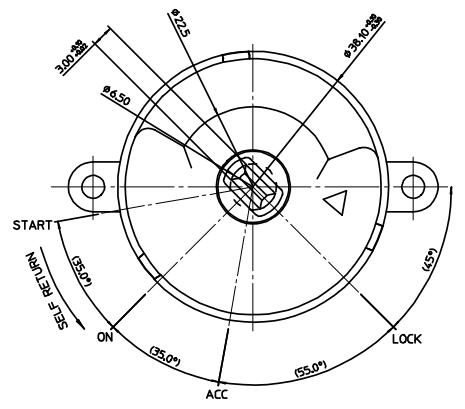
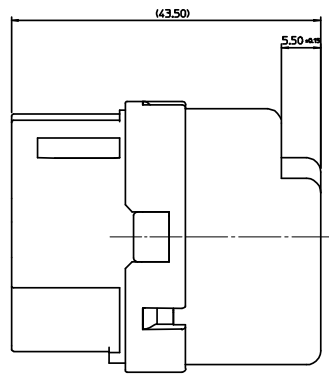
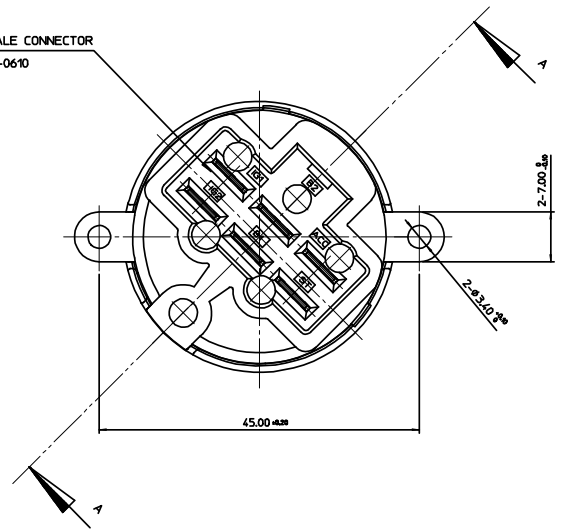


11	TORSION SPRING	49315-0002	HSW-3	1	0
10	COMPRESSION SPRING-S	49315-0001	HSW-3	3	0
9	COMPRESSION SPRING-L	49315-0005	HSW-3	1	0
8	BALL SPRING	49315-0003	HSW-3	1	0
7	BALL BEARING	49315-0004	SUJ-2	1	1
6	CONTACT PLATE-L	49778-6110	OFC	1	3
5	CONTACT PLATE-S	49778-6120	OFC	1	4
4-6	CONTACT TERMINAL(ACC)	49777-6150	OFC	1	1
4-5	CONTACT TERMINAL(B2)	49777-6140	OFC	1	1
4-4	CONTACT TERMINAL(G1)	49777-6110	OFC	1	1
4-3	CONTACT TERMINAL(G2)	49777-6120	OFC	1	1
4-2	CONTACT TERMINAL(B1)	49777-6130	OFC	1	1
4-1	CONTACT TERMINAL(S1)	49777-6160	OFC	1	1
3	SPRING HOLDER	49315-0690	PBT, G/F 30%	1	4
2	CONTACT S/W COVER	49315-0680	POM	1	3
1	CONTACT S/W ASSY 6P	49314-0610	PA66, M/F 40%	1	1
NO.	PART NAME	ENG. NO.	MATERIAL	Q'TY	Rev.

NOTE
 1. DIMENSION () : ONLY FOR REFERENCE
 2. DELIVERY POSITION : LOCK
 3. CONTACT & OPERATING AREA TO BE GREASED
 GREASE PART NO. : 49315-0006

MATING WITH FEMALE CONNECTOR
 PART NO. : 49358-0610

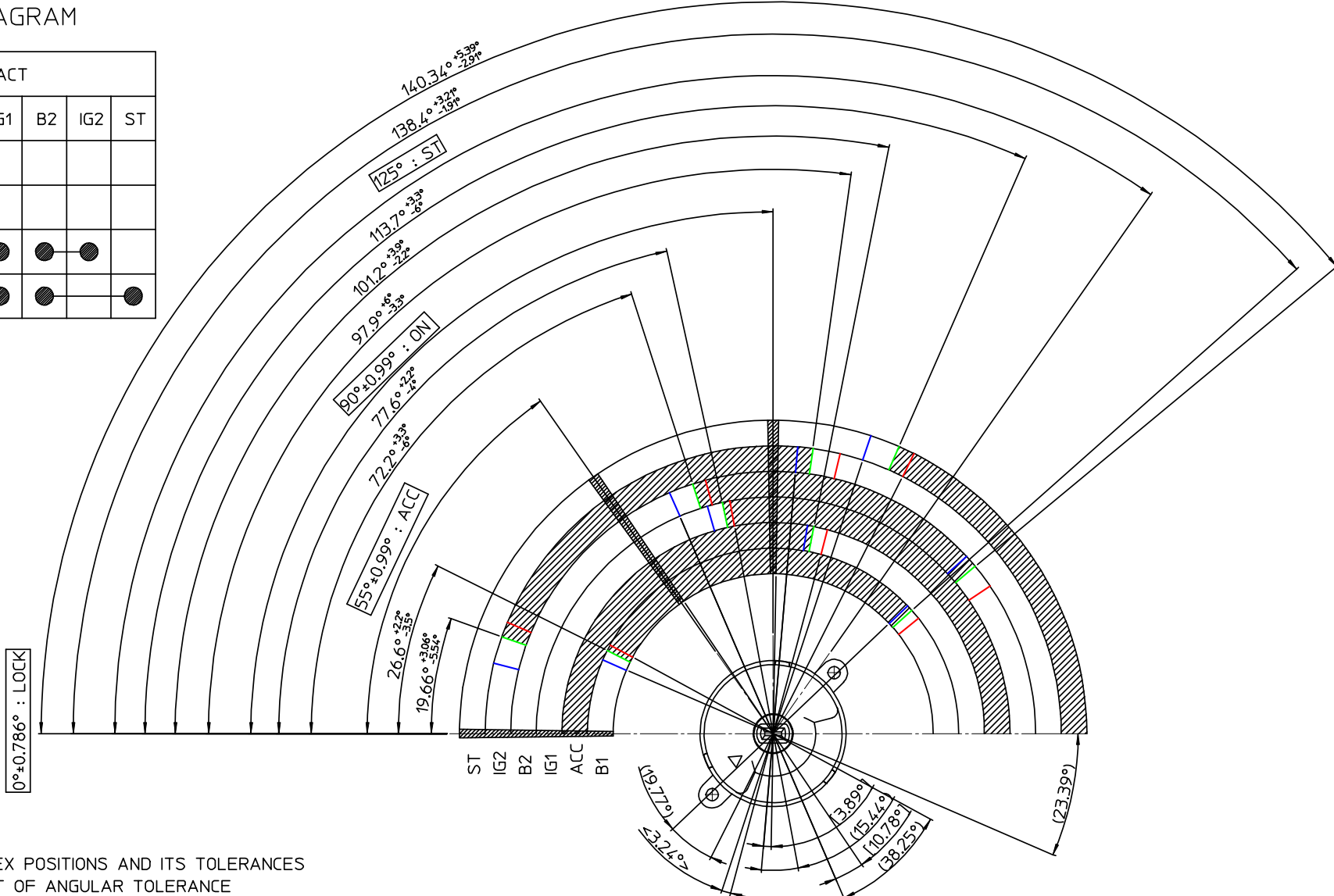


MATERIAL NO.	ENG. NO.
493150610	49315-0610

NEW RELEASED EC NO: KOR2008-0112 DRWNECK IM 2008/01/14 CHKD:BCYOON 2008/01/14 APPR:YUNSIKK IM 2008/01/14 A	QUALITY SYMBOLS ▽=0 ▽=0	GENERAL TOLERANCES (UNLESS SPECIFIED) <table border="1"> <tr><th></th><th>mm</th><th>INCH</th></tr> <tr><td>4 PLACES</td><td>± ---</td><td>± ---</td></tr> <tr><td>3 PLACES</td><td>± ---</td><td>± ---</td></tr> <tr><td>2 PLACES</td><td>± 0.20</td><td>± ---</td></tr> <tr><td>1 PLACE</td><td>± 0.30</td><td>± ---</td></tr> </table> ANGULAR ± 1°		mm	INCH	4 PLACES	± ---	± ---	3 PLACES	± ---	± ---	2 PLACES	± 0.20	± ---	1 PLACE	± 0.30	± ---	DIMENSION STYLE MM ONLY	SCALE 2:1	DESIGN UNITS METRIC	THIRD ANGLE PROJECTION
		mm	INCH																		
	4 PLACES	± ---	± ---																		
	3 PLACES	± ---	± ---																		
2 PLACES	± 0.20	± ---																			
1 PLACE	± 0.30	± ---																			
DRAWN BY SMK IM	DATE 2005/12/30	TITLE IGNITION KEY MODULE (CONN. TYPE)																			
CHECKED BY BCYOON	DATE 2005/12/30	MOLEX INCORPORATED																			
APPROVED BY EHJUNG	DATE 2005/12/30	MATERIAL NO. 493150610	DOCUMENT NO. SD-49315-001	SHEET NO. 1 OF 2	THIS DRAWING CONTAINS INFORMATION THAT IS PROPRIETARY TO MOLEX INCORPORATED AND SHOULD NOT BE USED WITHOUT WRITTEN PERMISSION																

CIRCUIT DIAGRAM

		CONTACT					
		B1	ACC	IG1	B2	IG2	ST
SWITCH POSITION	LOCK						
	ACC	●	●				
	ON	●	●	●	●	●	
	ST	●		●	●		●



<NOTE>

1. FRAMED DIMS. FOR INDEX POSITIONS AND ITS TOLERANCES
2. RED LINE : UPPER LIMIT OF ANGULAR TOLERANCE
(CLOCKWISE DIRECTION MARKED LINE FROM NOMINAL CONTACT ANGLE)
BLUE LINE : LOWER LIMIT OF ANGULAR TOLERANCE
(COUNTERCLOCKWISE DIRECTION MARKED LINE FROM NOMINAL CONTACT ANGLE)
3. COLORED AREA : INDEX POSOTION' TOLERANCE RANGES
4. DIMS' WITH () : WORST CASE INDEX CONTACT ANGLES
5. DIMS' WITH < > : WORST CASE ANGLE OF INDEX CONTACTS SWITCH
6. DIMS' WITH [] : WORST CASE ANGLE BETWEEN INDEX POSITIONS AND INDEX CONTACTS ENDS*

NEW RELEASED EC NO: KOR2008-0112 DRWNER:IM 2008/01/14 CHKD:BCYOON 2008/01/14 APPR:JUNSIKKIM 2008/01/14 A	QUALITY SYMBOLS ▽=0 ▽=0	GENERAL TOLERANCES (UNLESS SPECIFIED) 4 PLACES ± --- ± --- 3 PLACES ± --- ± --- 2 PLACES ± 0.20 ± --- 1 PLACE ± 0.30 ± --- ANGULAR ± 1°	DIMENSION STYLE MM ONLY DRAWN BY: SMK1M DATE: 2005/12/30 CHECKED BY: BCYOON DATE: 2005/12/30 APPROVED BY: EHJUNG DATE: 2005/12/30	SCALE: 2:1 DESIGN UNITS: METRIC THIRD ANGLE PROJECTION	TITLE: IGNITION KEY MODULE (CONN. TYPE)	
	MATERIAL NO.: 493150610	DOCUMENT NO.: SD-49315-001	SHEET NO.: 2 OF 2	MOLEX INCORPORATED		
	DRAFT WHERE APPLICABLE MUST REMAIN WITHIN DIMENSIONS		SIZE: A			
	THIS DRAWING CONTAINS INFORMATION THAT IS PROPRIETARY TO MOLEX INCORPORATED AND SHOULD NOT BE USED WITHOUT WRITTEN PERMISSION					