



ANATECH ELECTRONICS INC
RF & Microwave Filters & Products

4400-5000 MHz / 5250-5850 MHz Cavity Duplexer

Part Number: AD4700-5550D424

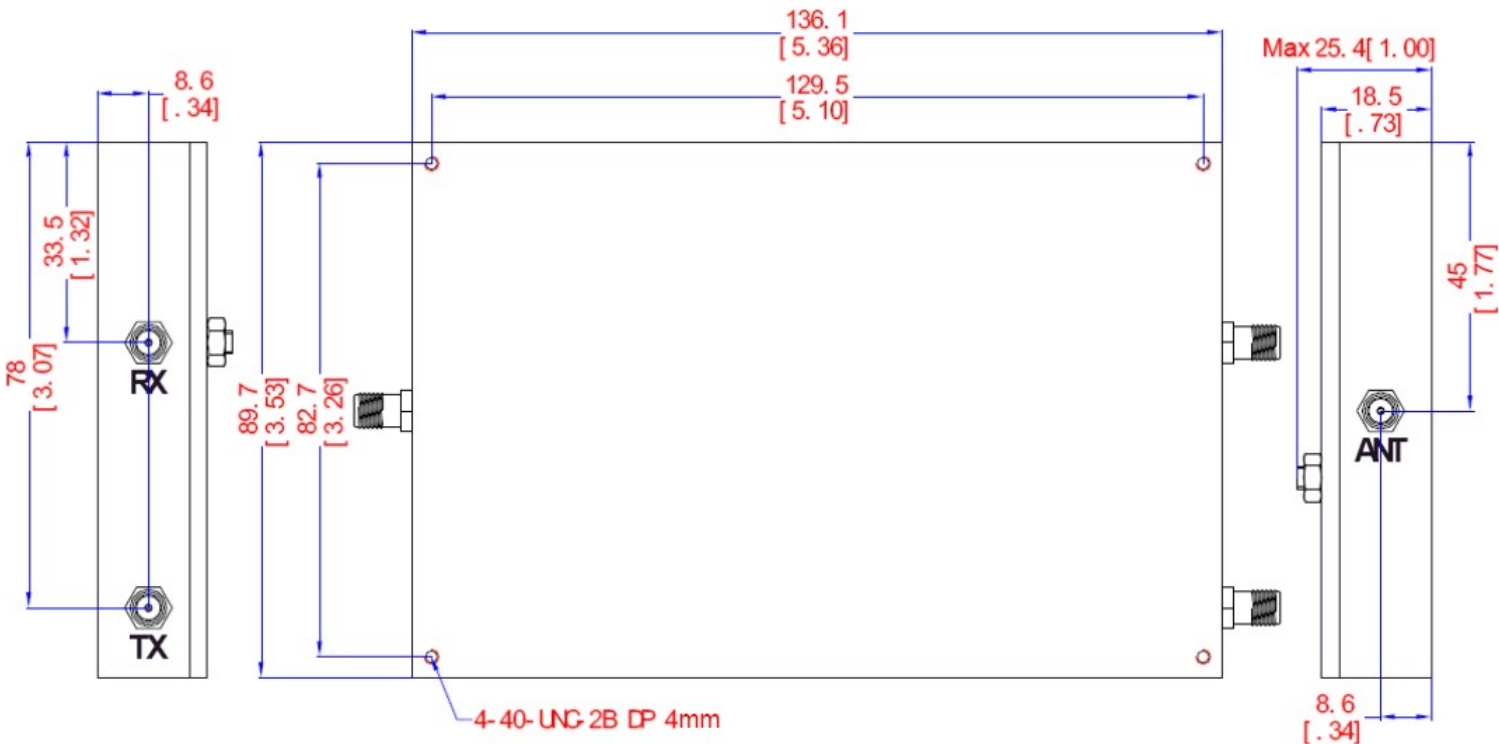


Characteristics	Band 1 (RX)	Band 2 (TX)
Passband:	4400-5000 MHz	5250-5850 MHz
Bandwidth:	600 MHz	600 MHz
Passband Return Loss:	≥16 dB	≥16 dB
Passband Insertion Loss:	≤0.8 dB	≤0.8 dB
Passband Ripple:	≤0.35 dB	≤0.35 dB
Input / Output Impedance:	50 Ohms	50 Ohms
Isolation:	≥100 dB	≥100 dB
Power Handling:	35 Watts	35 Watts

Mechanical	
Mounting Method:	Threaded Mounting Holes
Connector Type:	SMA (F)
Dimensions:	5.36 x 3.53 x .73 inches

Environmental	
Operating Temperature:	-40 to +70 deg.C
Storage Temperature:	-50 to +90 deg.C

Outline Drawing:



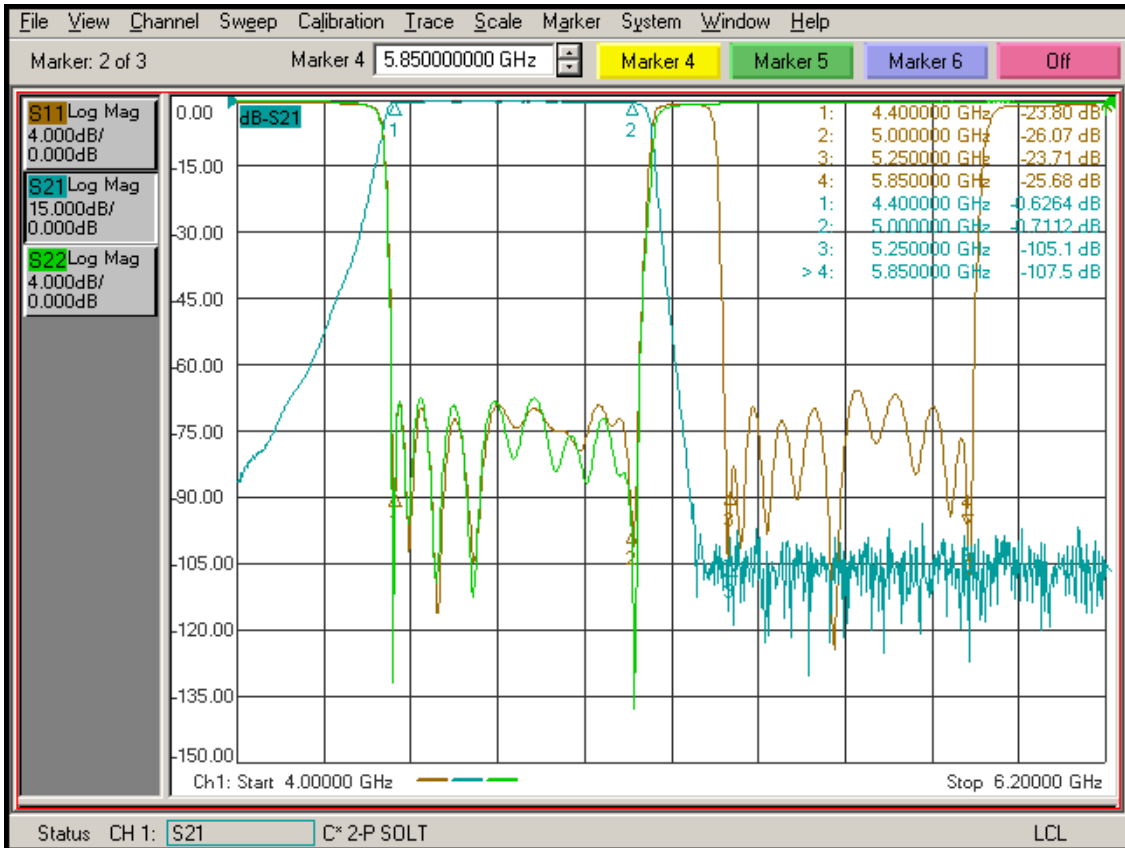
Tolerance: +/-0.01 inches [+/- 0.3mm] Angles:
+/- 1 Deg.

*Tolerance as shown unless otherwise specified in the datasheet electrical specification tables above.

*When max dimensions are called out the above tolerances do not apply as long as it is under the max call out.



Response Plot of Band 1:





Response Plot of Band 2:

