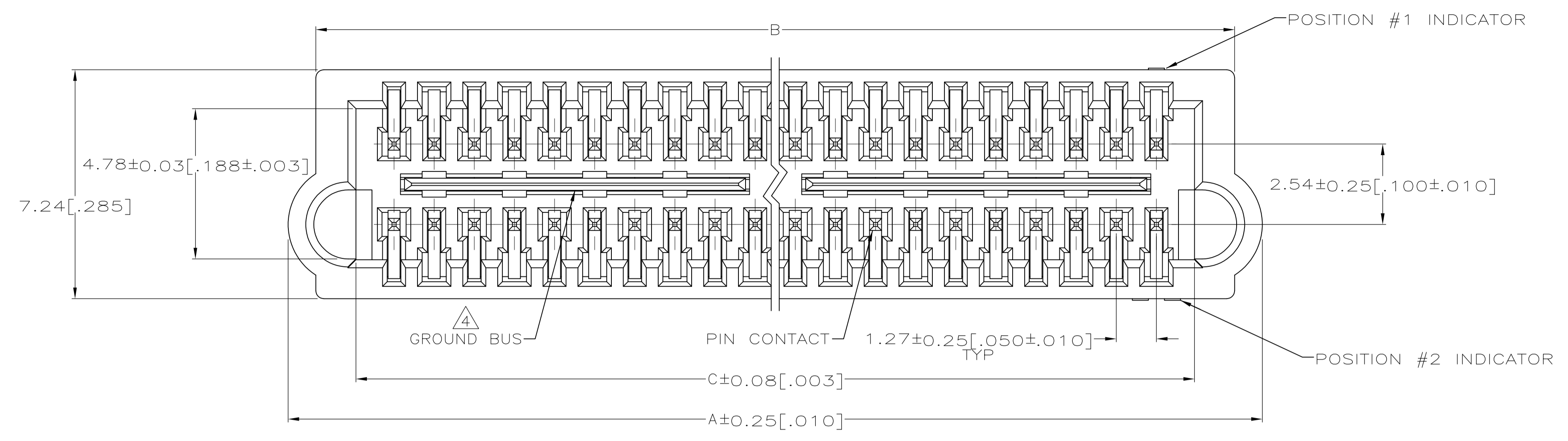
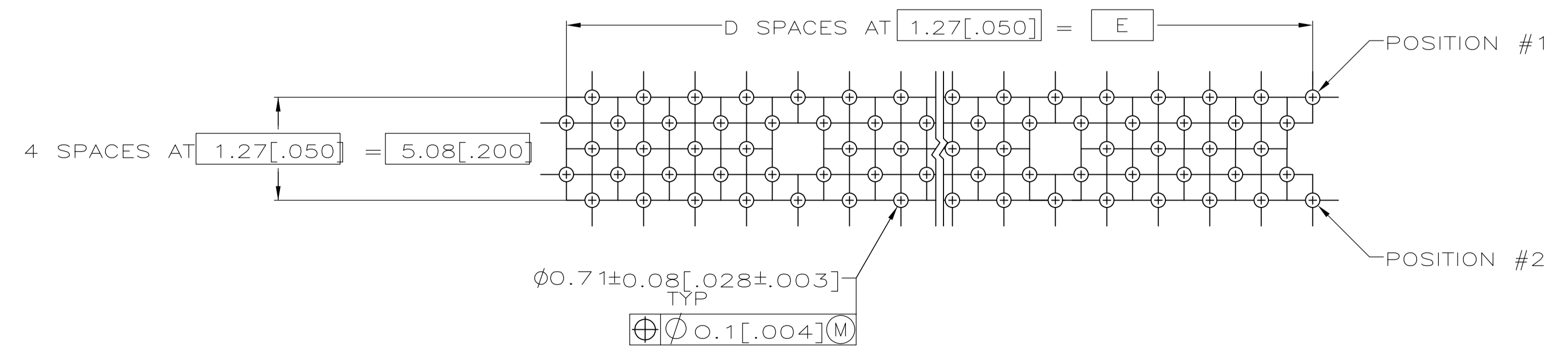
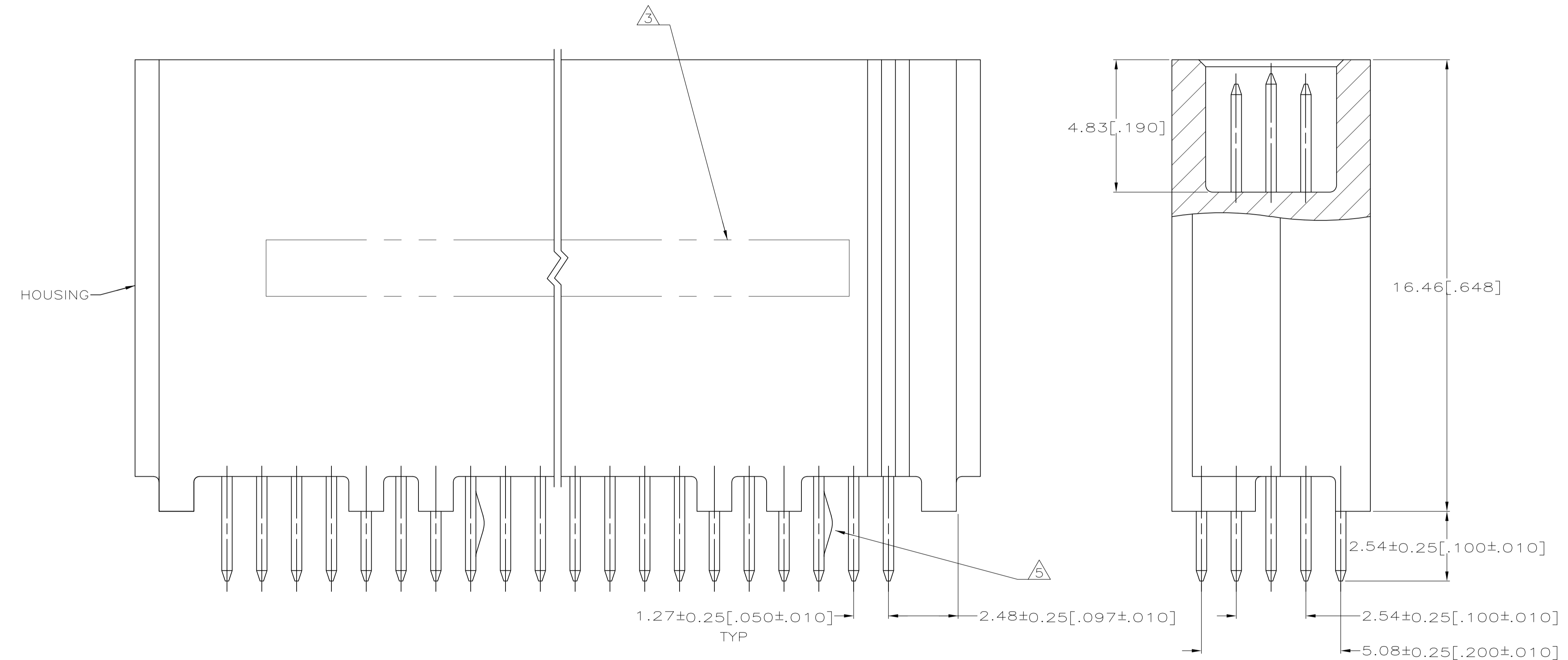


REVISIONS					
P	LTR	DESCRIPTION	DATE	DMN	APVD
C		REVISED PER ECO-16-010704	20JUL2016	SY	SY



- 1 HOUSING: HIGH TEMPERATURE THERMOPLASTIC, COLOR NATURAL OR LIGHT NATURAL.
PIN CONTACTS: PHOSPHOR BRONZE.
GROUND BUSSES: PHOSPHOR BRONZE.
- 2 PIN CONTACTS: 0.00076 [$.000030$] MIN GOLD IN CONTACT AREA,
 $0.00254 - 0.00762$ [$.000100 - .000300$] TIN-LEAD ON SOLDER TAIL,
ALL OVER $0.00127 - 0.00254$ [$.000050 - .000100$] NICKEL ON ENTIRE CONTACT.
- GROUND BUSSES: 0.00076 [$.000030$] MIN GOLD IN CONTACT AREA,
 $0.00254 - 0.00762$ [$.000100 - .000300$] TIN-LEAD ON SOLDER TAIL,
ALL OVER $0.00127 - 0.00254$ [$.000050 - .000100$] NICKEL ON ENTIRE BUS.
- 3 AMP, AMP PART NUMBER AND DATE CODE MARKED IN AREA INDICATED,
ON SAME SIDE AS POSITION NUMBER 2 INDICATOR.
- 4 ONE GROUND BUS WITH 4 TAILS PER EACH 20 PIN CONTACTS.
- 5 FIRST TAIL FROM RIGHT OF EACH GROUND BUS IS KINKED.



OBSOLETE	62.23 [2.450]	49	64.72 [2.548]	67.31 [2.650]	68.94 [2.714]	100	149010-4
	24.13 [.950]	19	26.62 [1.048]	29.21 [1.150]	30.84 [1.214]	40	149010-1
	E	D	C	B	A	NO OF POS	PART NUMBER

THIS DRAWING IS A CONTROLLED DOCUMENT.		DIN	J. GERACE	11-29-94
DIMENSIONS: mm [INCHES]		CHK	P. MATAR	11-29-94
TOLERANCES UNLESS OTHERWISE SPECIFIED:		APVD	A. MONK	11-29-94
0. PLC	± -	NAME	PLUG ASSY WITH KINKED GROUND BUS	
1. PLC	± -	PRODUCT SPEC	TAILS, 18.75 STACK, 2.54 TAIL, BTB, MICROSTRIP	
2. PLC	± -	APPLICATION SPEC	108-1272	
3. PLC	± 0.13 [.005]	SIZE	A1	00779
4. PLC	± -	WEIGHT	0.000000	149010
ANGLES	± -	CUSTOMER DRAWING	SCALE	10:1
MATERIAL	FINISH	RESTRICTED TO	SHEET	1 OF 1
			REV	C