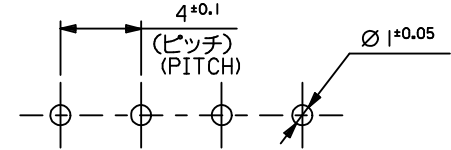


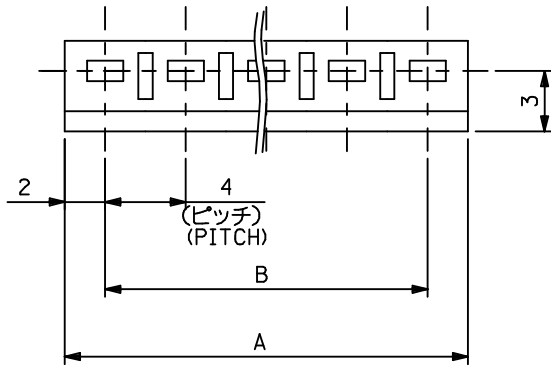
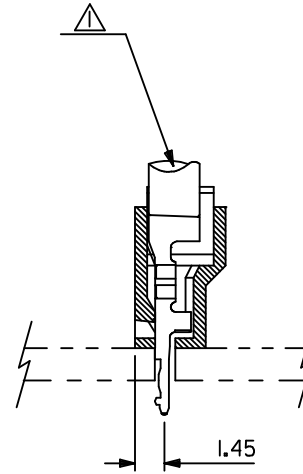
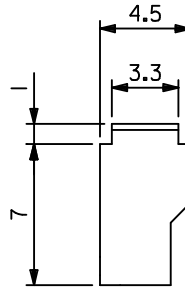
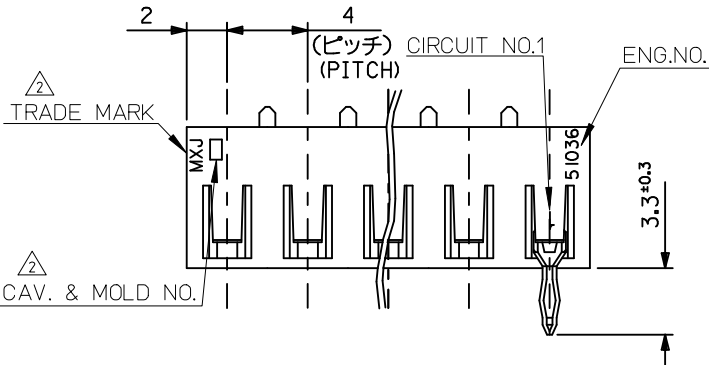
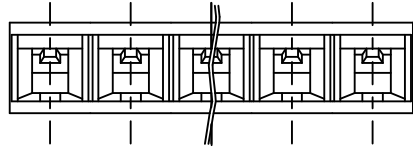
注記
NOTE

- ① 適合ターミナル: 500978*00
APPLICABLE: 500978*00
- ② トレードマーク: MXJにて表示。
キャビティ番号: 1桁から2桁の数字にて表示。 金型番号: アルファベット1文字にて表示。
TRADE MARK IS FORMED BY MXJ.
AND BY 1-2 DIGIT NUMBER (TO CAVITY NO.)
AND BY 1 LETTER OF ALPHABET (TO MOLD NO.)
- 3. ELV及RoHS適合品
ELV AND RoHS COMPLIANT.

(公差非累積)
(NON-ACCUMULATIVE)



基板取付穴推奨寸法(基板厚: 1.6mm)
RECOMMENDED PC BOARD
HOLE DIMENSION
(THICKNESS: 1.6mm)



材料 MATERIAL	POLYAMIDE,UL94V-0
適用電線範囲 WIRE RANGE	AWG#22~18,AV0.5~0.85 AVS0.3~0.85
被覆外径 INS. RANGE	φ1.8~2.6

REVISED EC NO.: J2012-0915 DRWN: KWASHIO 2012/01/20 CHKD: KASAKAWA 2013/05/28 APPR: NUKITA 2013/05/28	GENERAL TOLERANCES (UNLESS SPECIFIED)		DIMENSION STYLE MM ONLY		SCALE 4:1	DESIGN UNITS METRIC	THIRD ANGLE PROJECTION
	10 UNDER	±0.2	DRAWN BY KSANO	DATE 1996/06/30	TITLE 4.0 BOARD IN CONNECTOR HOUSING molex DOCUMENT NO. SD-51036-001 SHEET NO. 1 OF 1		
	10 OVER 30 UNDER	±0.25	CHECKED BY MSAKANO	DATE 1996/06/30			
	30 OVER	±0.3	APPROVED BY MENOMOTO	DATE 1996/06/30			
ANGULAR ±3 °		MATERIAL NO.					
DRAFT WHERE APPLICABLE MUST REMAIN WITHIN DIMENSIONS		SEE CHART		THIS DRAWING CONTAINS INFORMATION THAT IS PROPRIETARY TO MOLEX INCORPORATED AND SHOULD NOT BE USED WITHOUT WRITTEN PERMISSION			

56	60	51036 1500	15
52	56	↑ 1400	14
48	52	1300	13
44	48	1200	12
40	44	1100	11
36	40	1000	10
32	36	0900	9
28	32	0800	8
24	28	0700	7
20	24	0600	6
16	20	0500	5
12	16	0400	4
8	12	↓ 0300	3
4	8	51036 0200	2
B	A	ENG.NO.	機 CRT.