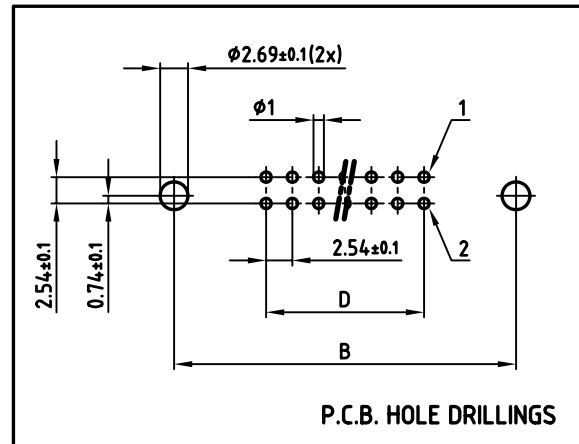
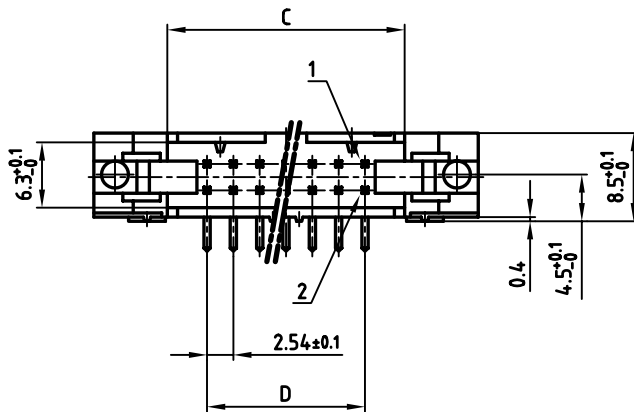
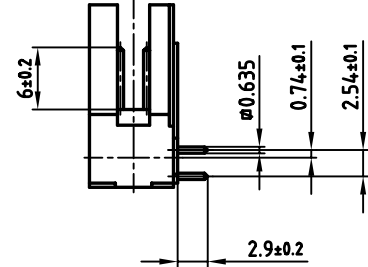
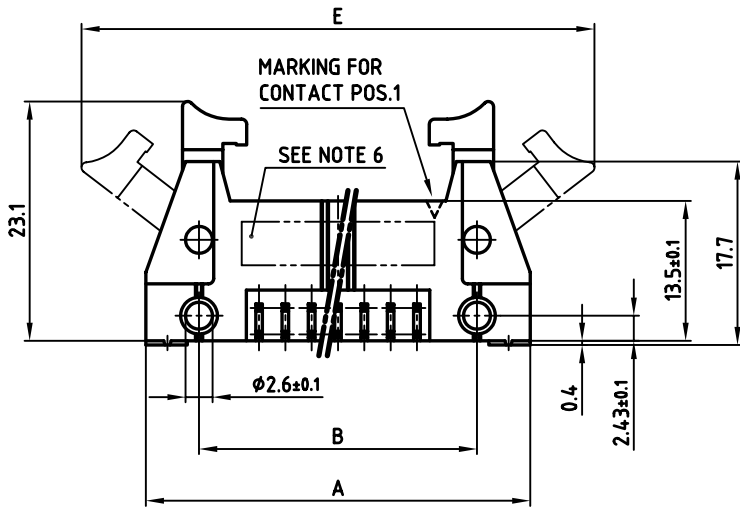


used for: DIN 41651



No. of pos.	A ±0.2	B ±0.1	C +0.2	D ±0.1	E	Part-NO.
10	32.00	21.84	17.82	4x2.54=10.16	44.50	141A10739X
14	37.08	26.92	22.90	6x2.54=15.24	49.50	141A10749X
16	39.62	29.46	25.44	7x2.54=17.78	52.10	141A10759X
20	44.70	34.54	30.52	9x2.54=22.86	57.00	141A10769X
26	52.32	42.16	38.14	12x2.54=30.48	64.60	141A10779X
34	62.48	52.32	48.30	16x2.54=40.64	74.80	141A10789X
40	70.10	59.94	55.92	19x2.54=48.26	82.40	141A10799X
50	82.80	72.64	68.62	24x2.54=60.96	95.20	141A10809X
60	95.50	85.34	81.32	29x2.54=73.66	107.90	141A10819X
64	100.58	90.42	90.42	31x2.54=78.74	113.02	141A12359X

**NOTES:**

- INSULATORS: PBT, V0 UL 94, GREY
- CONTACTS: COPPER ALLOY  
PLATING: GOLD OVER NICKEL  
50 MATING CYCLES
- OPERATING TEMPERATURE RANGE: -40°C TO +105°C
- CURRENT CARRYING CAPACITY: 1A
- TEST VOLTAGE: 1000 Veff.
- CONNECTOR IS PART MARKED: PART-NO. CONEC ABC



APPROVAL # FREIGABE # DEBLOCAGE # AUTORIZACION # APPROVAL

CUSTOMER APPROVAL DATE:

NAME: TITLE:

COMPANY NAME:

APPROVAL # FREIGABE # DEBLOCAGE # AUTORIZACION # APPROVAL

THIS DRAWING MAY NOT BE COPIED OR REPRODUCED IN ANY WAY, AND MAY NOT BE PASSED ON TO A THIRD PARTY, WITHOUT WRITTEN PERMISSION. OWNERSHIP AND COPYRIGHT OF CONEC Gmbh DO NOT ALTER CAD DRAWING BY HAND

rev.	description	date	name
a	Origin		

tolerance	scale:	material:
	2:1	SEE NOTES
2006	date	name
drawn	05.10.	Lehmenkühler
appd.	05.10.	Mickenbecker
norm	DIN 41651	
d-old		

title: **HEADER**  
10-64pos. RIGHT ANGLE SOLDER PINS 2.9mm with short latch

dwg no: AutoCAD 2006

14K1A017

part no: SEE TABLE

DIN-A 3 sh:1/1