

PART NUMBER	REV	FEED TYPE	DESCRIPTION	PROGRAMMED MEMORY CHIP
2151001-1	A	MECHANICAL	FINE CRIMP HEIGHT ADJUST	-
2151001-2	A	PNEUMATIC	FINE CRIMP HEIGHT ADJUST	-
2151001-5	A	SERVO	FINE CRIMP HEIGHT ADJUST	8-2151001-5
2151001-6	A	SERVO	NON-CRIMP HEIGHT ADJUST	8-2151001-6
2151001-7	A	NONE	FINE CRIMP HEIGHT ADJUST	-
7-2151001-7	A	-	SPARE PARTS KIT	-

**APPLICATOR DATA**

CRIMP	SIZE	TYPE
WIRE	3.56 mm [.140]	F
INSUL	-	-

APPL INSTRUCTIONS  
408-10389

TERMINAL DATA: TE TERMINAL TE CRIMP SPEC  
TERMINAL NAME: UNIVERSAL MATE-N-LOCK PIN AND SOCKET

WIRE STRIP LENGTH	INSULATION DIAMETER RANGE
6.38-7.14 mm [.251-.281 IN]	0.00-5.08 mm [.000-.200 IN]

TERMINAL APPL SPEC 114-1010

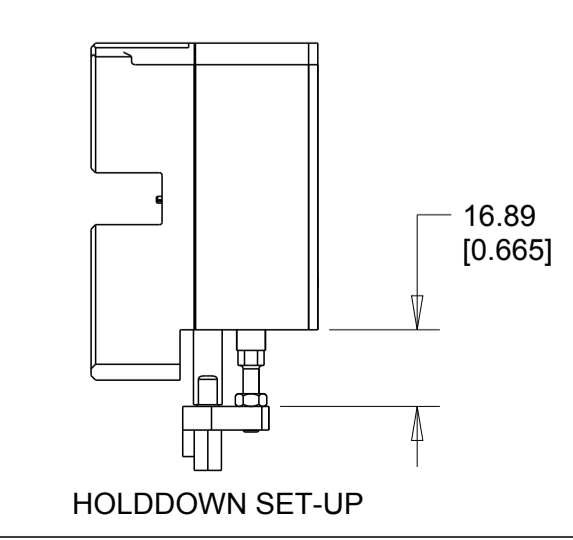
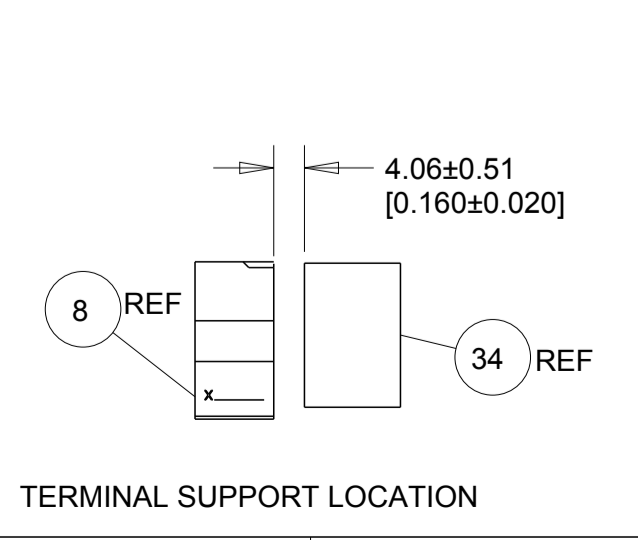
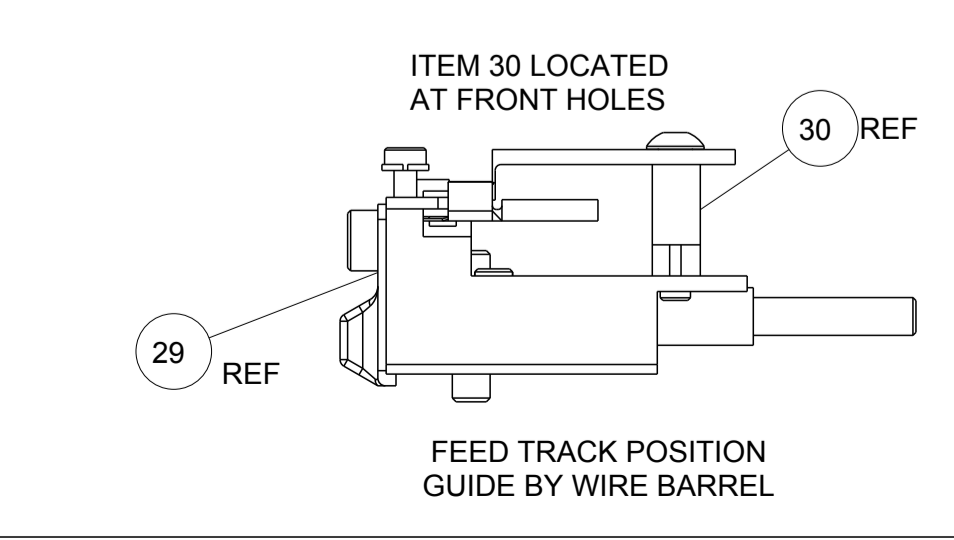
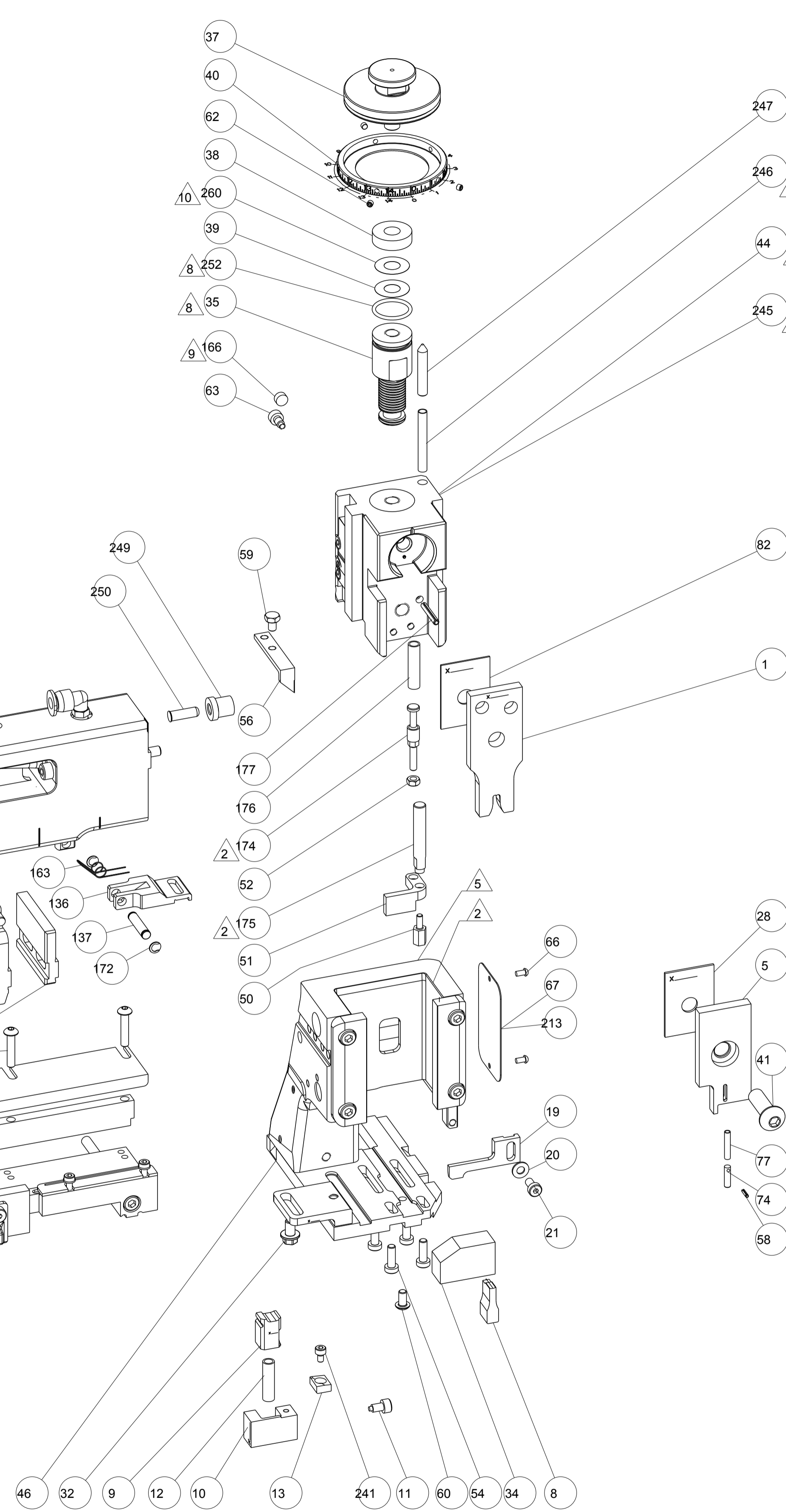
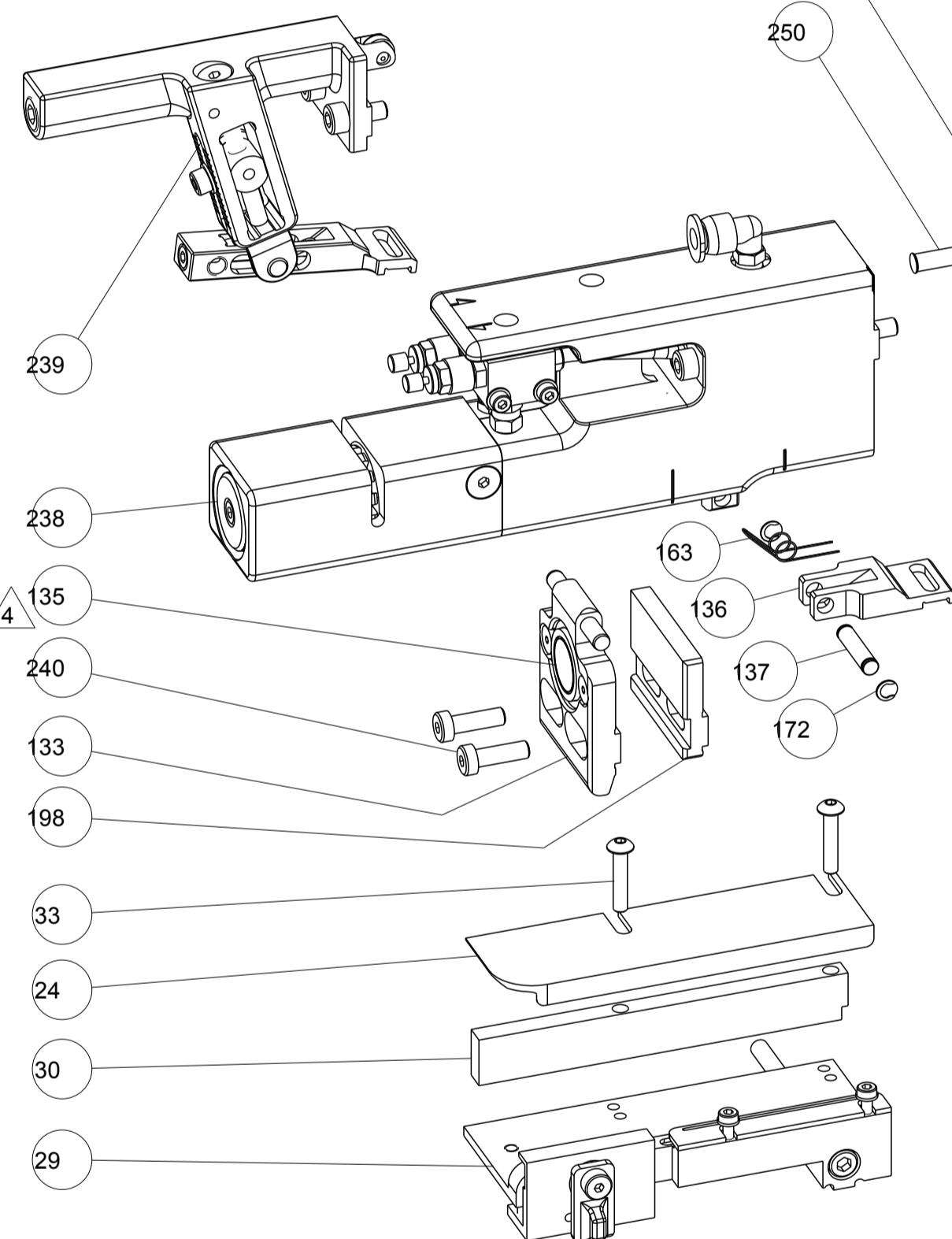
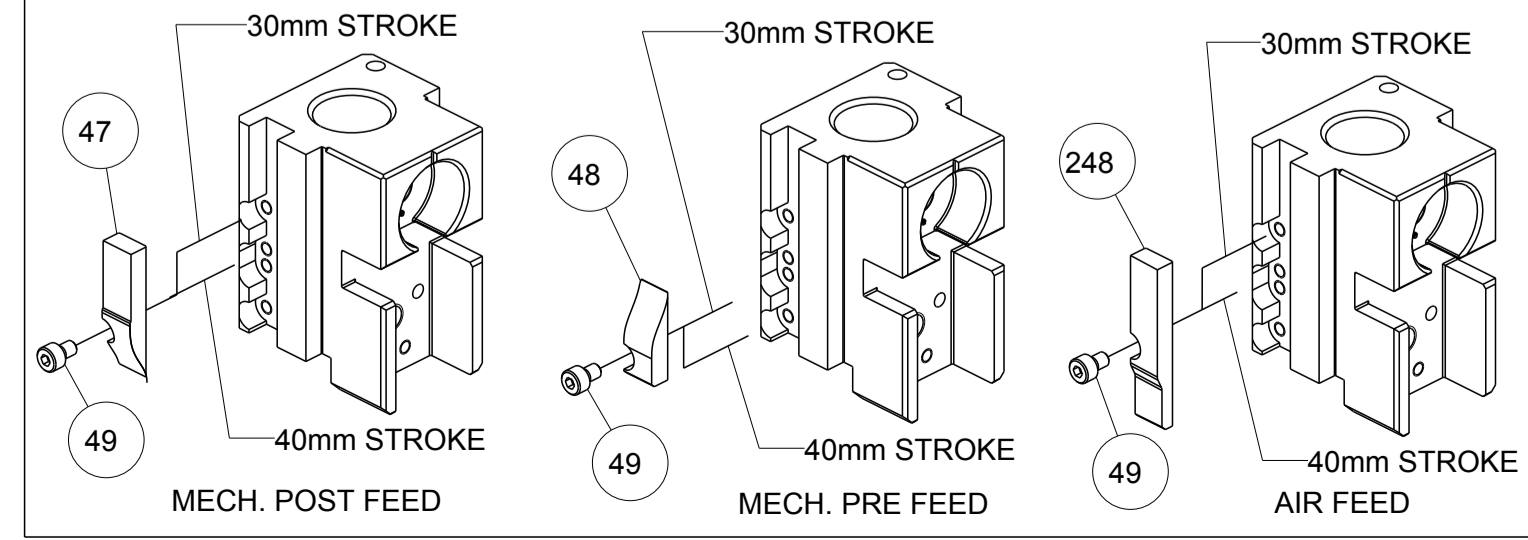
**TERMINALS APPLIED**

TE TERMINAL	TE TERMINAL	TE TERMINAL	TE TERMINAL
350923-3	770004-4	350922-3	770003-3
350923-4	1-770004-0	350922-6	770003-8
350923-6	1586065-1	770234-3	1-770003-0
770004-3	350922-1	770003-3	1586096-1

WIRE SIZE	CRIMP HEIGHT mm [INCH]	FINE ADJUST REF SETTING*
10 AWG	2.41+/-0.05 [.095+/- .002]	2.3
5.00mm <sup>2</sup>	2.31+/-0.05 [.091+/- .002]	3.7
4.40mm <sup>2</sup>	2.13+/-0.05 [.084+/- .002]	5.9
4.00mm <sup>2</sup>	2.03+/-0.05 [.080+/- .002]	7.2
12 AWG	1.96+/-0.05 [.077+/- .002]	7.9

- 1 RECOMMENDED SPARE PARTS
- 2 GREASE BEARING SURFACES LIGHTLY
- 3 LUBRICATE DAILY PER THE APPLICATOR INSTRUCTION SHEET SUPPLIED WITH THE APPLICATOR.
- 4 APPLICATOR SPECIFIC DATA TO BE ENTERED INTO BLANK MEMORY CHIP AT ASSEMBLY.
- 5 TO CONVERT THE APPLICATOR TO A NON-CARRIER CUTTING STYLE, REMOVE ITEM 13 AND ATTACH TO THE LOCATION INDICATED.
- 6 POSITIONAL ADJUSTMENTS OF THE STRIPPER MAY BE REQUIRED WHEN MOVING THE APPLICATOR BETWEEN BENCH AND LEADMAKER APPLICATIONS.
- 7 FOR THE ASIAN VERSION OF THIS APPLICATOR, SEE LOG 2151001-9
- 8 GREASE THREADS, GROOVE & O-RING ON ITEMS 35 & 252.
- 9 MAGNET MUST BE ORIENTED CORRECTLY IN ORDER TO PROPERLY ACTUATE THE COUNTER.
- 10 WHEN ASSEMBLING NON-CRIMP HEIGHT ADJUST APPLICATOR (-6) USE SHIM PACK 2119957-2 TO ATTAIN APPLICATOR'S MAXIMUM WIRE CRIMP HEIGHT AT NORMAL TERMINATOR SHUT HEIGHT.

PART REQUIRED FOR FEED CONVERSIONS		
FEED VER. TO CONVERT TO	RETROFIT KIT	ADDITIONAL PARTS REQ'D
MECHANICAL	2119949-1	56
PNEUMATIC	2119950-1	56
SERVO	2119951-1	135 & 240



SERVO FEED FINGER 2119944-1		SET UP GAUGE 2119599-1		LOC A	DIST 66	REVISIONS			
P	LTR	DESCRIPTION	DATE	OWN	APP'D				
1		ORIGINAL	4JAN2011	GH	GB				
A		RELEASED	15APR2011	LG	TE				
A1		ECR-11-018794	12SEP2011	GH	TE				
10	-	2119957-2	APPLICATOR SHIM PACK		260				
-	-	8-21084-0	O-RING, .676 ID, .070 DIA. MAT.		252				
-	-	2119640-1	PUSH ROD, AIR FEED		250				
-	-	2079988-1	BUSHING, LCH5-12, MISUMI		249				
-	-	2119641-1	FEED CAM, AIR FEED		248				
-	-	2119798-1	DETENT PIN		247				
-	-	1-22279-3	SPRING, COMPRESSION		246				
-	-	2119758-1	RAM, AMP STYLE, SIDE FEED, NON-ADJ.		245				
-	-	18023-1	SCR, SKT HD CAP M3 X 5.0		241				
-	-	2168084-6	SHCS, LOW HEAD, RoHS, M5 X 16		240				
-	-	2119580-1	MECHANICAL FEED ASSEMBLY		239				
-	-	2063440-1	AIR FEED MODULE		238				
-	-	2119740-2	TAG, IDENTIFICATION		213				
-	-	1901094-3	SPACER, FEEDER		198				
-	-	993111-1	PIN, SLOTTED SPRING 3.0 X 20.0		177				
-	-	8-22280-7	SPRING, COMPRESSION		176				
-	-	1752353-2	GUIDE PIN, HOLDDOWN		175				
-	-	1901680-2	GUIDE PIN, HOLDDOWN		174				
-	-	21045-3	RING, RETAIN, EXTERN, 3/16 CRESCENT		172				
-	-	994969-1	MAGNET, RARE EARTH HIGH ENERGY		166				
-	-	240638-1	SPRING, FEED FINGER		163				
-	-	3-23627-7	PIN, RETAIN, GRVD, 3/16 X .854		137				
-	-	2119799-1	HOLDER, FEED FINGER, AF		136				
-	REF	REF	SEE TABLE		135				
-	-	1633743-1	SERVO FEED LATCH ASM		133				
-	-	455888-7	SPACER, CRIMPER		82				
-	-	22278-7	SPRING, COMPRESSION		77				
-	-	854769-4	HOLDER, INS		74				
-	-	2119956-1	DOCUMENTATION PACKAGE		71				
-	-	2119740-1	TAG, IDENTIFICATION		67				
-	-	2168078-1	SCREW, DRIVE, RH, RoHS		66				
-	-	2119793-1	LIMITER, ADJUSTMENT BOLT		63				
-	-	992763-4	SCR, SET, SOC, CONE POINT, M3 x 3.0		62				
-	-	2079383-4	SCR, BHSC, RoHS (M4 X 8)		60				
-	-	5-18022-5	SCR, HEX HD CAP, M4 X 6.0		59				
-	-	21028-2	PIN, SLOTTED SPRING .062 X .250		58				
-	-	1338685-1	PAWL, FEED		56				
-	-	2168084-1	SHCS, LOW HEAD, RoHS, M4 X 12		54				
-	-	1-5018030-0	NUT, HEX, REG, RoHS, M3.5		52				
-	-	1901681-1	HOLDDOWN, TERMINAL		51				
-	-	2-1752354-0	STANDOFF, HOLD-DOWN		50				
-	-	18023-9	SCR, SKT HD CAP M4 X 6.0		49				
-	-	2119652-1	FEED CAM, PRE FEED		48				
-	-	2119653-1	FEED CAM, POST FEED		47				
-	-	2119656-9	APPLICATOR BASIC ASSEMBLY, SF		46				
-	-	2119370-1	RAM, AMP STYLE, SIDE FEED		44				
-	-	2079383-7	SCR, BHSC, RoHS (M8 X 25)		41				
-	-	2119645-1	DISC, NUMBERED FA WIRE ADJUSTMENT		40				
-	-	2119957-1	APPLICATOR SHIM PACK		39				
-	-	2119644-1	RAM WASHER, PRECISION		38				
-	-	2119085-1	FA HEAD, ATLANTIC STYLE		37				
-	-	2119092-1	BOLT, ADJUSTMENT		35				
-	-	1752356-6	SUPPORT, TERMINAL		34				
-	-	2079383-5	SCR, BHSC, RoHS (M4 X 20)		33				
-	-	2161328-1	HEX HEAD, FLANGED, M5 x 8mm LONG		32				
-	-	1-1320908-0	SPACER, STRIP GUIDE		30				
-	-	2119959-1	ASSEMBLY, STRIP GUIDE		29				
-	-	1-455888-0	SPACER, CRIMPER		28				
-	-	1320928-2	PLATE, STRIP GUIDE		24				
-	-	2168084-4	SHCS, LOW HEAD, RoHS, M4 X 8		21				
-	-	1-18028-2	WASHER, FLAT, REG M4		20				
-	-	2119533-1	STRIPPER, SIDE FEED		19				
-	-	2119806-1	INSERT, SHEAR		13				
-	-	3-22280-3	SPRING, COMPRESSION		12				
-	-	356885-5	STOP, SHEAR		11				
-	-	2119805-1	SHEAR HOLDER, FRONT		10				
-	-	462006-6	FLOATING SHEAR, FRONT		9				
-	-	1333227-5	ANVIL, SPECIAL (WIRE/B ONLY)		8				
-	-	1-2119780-1	DEPRESSOR, SHEAR		5				
-	-	1-456411-2	CRIMPER, WIRE PREMIUM		1				

DIMENSIONS: mm 		TOLERANCES UNLESS OTHERWISE SPECIFIED: 0 P.L.C ±.5 1 P.L.C ±0.5 3 P.L.C ±0.13 4 P.L.C ±0.0013 ANGLES ±.1		DWN G. HOFFNER 4JAN2011 CHK G. BAILEY 5JAN2011 APVD G. BAILEY 5JAN2011 PRODUCT SPEC APPLICATION SPEC WEIGHT CUSTOMER ACCESSIBLE PRODUCTION DRAWING		TE Connectivity Harrisburg, PA 17105-3608 NAME: Ocean Side Feed Atlantic Style Applicator SIZE: A1 CAGE CODE: 00779 DRAWING NO: C-2151001 SCALE: 1:2 SHEET: 1 OF 1 REV: A1	
--------------------	--	---	--	--	--	--	--