

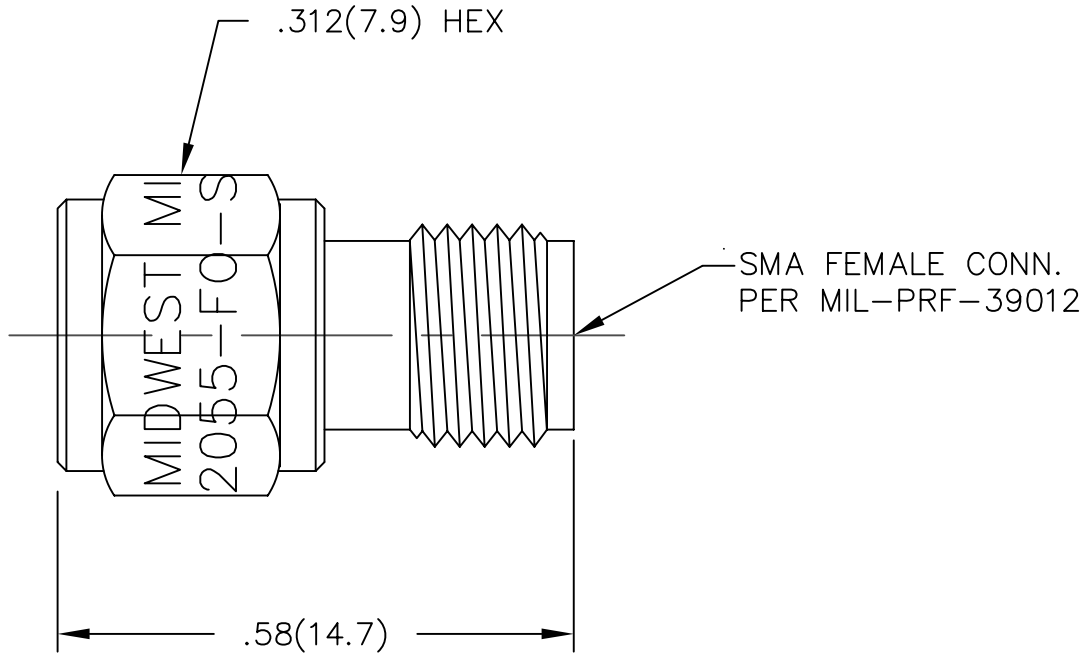
MODEL NUMBER
TRM-2055-F0-SMA-02

NOTES:

- 1.0 ELECTRICAL SPECIFICATIONS:
 1.1 FREQUENCY RANGE: DC to 18.0 GHz
 1.2 MAXIMUM INPUT POWER: 2 WATTS AVG. @ +25°C
 DERATED LINEARLY TO 1 WATT @ +125°C
 1.3 OPERATING & STORAGE TEMP. RANGE:
 -65°C to +125°C
 1.4 IMPEDANCE: 50 OHMS
 1.5 VSWR: 1.05 +0.008f(GHz) MAX.

2.0 MARKING:
 MARK UNIT AS SHOWN
 (REF.: INK-02639-27-03)

3.0 DIMENSIONS IN PARENTHESIS ARE IN MILLIMETERS.



DWG NO. WAS: 01934-01-00

REV.	DESCRIPTION	DATE
-	RELEASED	12/11/89
A	ECR 4109	1/7/86
B	ECR 6545	2/29/89
C	ECR 6939	12/23/89
C1	REDRAW ON CAD	9/4/91
D	ECN 11825	5/18/92
E	ECN 12132	10/14/92
F	ECN 12132	11/19/93
F1	ADDED TITLEBLOCK	10/27/05

NOTICE: The information contained in this drawing is proprietary and must not be used without the permission of Emerson Network Power. UNLESS OTHERWISE NOTED DIMENSIONS ARE IN INCHES AND TOLERANCES ARE: 3 PLACE DECIMALS ±.005 2 PLACE DECIMALS ±.02 FRACTIONS ±1/64 PARALLELITY: T.I.R. FLATNESS: T.I.R. CONCENTRICITY: T.I.R. ANGLES AND PERPENDICULARITY: ±1°	CASE CODE 34078	MIDWEST MICROWAVE	
	 EMERSON Network Power Connectivity Solutions	TITLE TERMINATION OUTLINE DRAWING	
		DRAWN/DATE A.BEATTY 9/4/91	ENG./DATE G.KOZAK 9/5/91
CHECKED/DATE C.RICKARD 9/15/92	APPROVED/DATE	SCALE: 5=1	SHEET 1 of 1