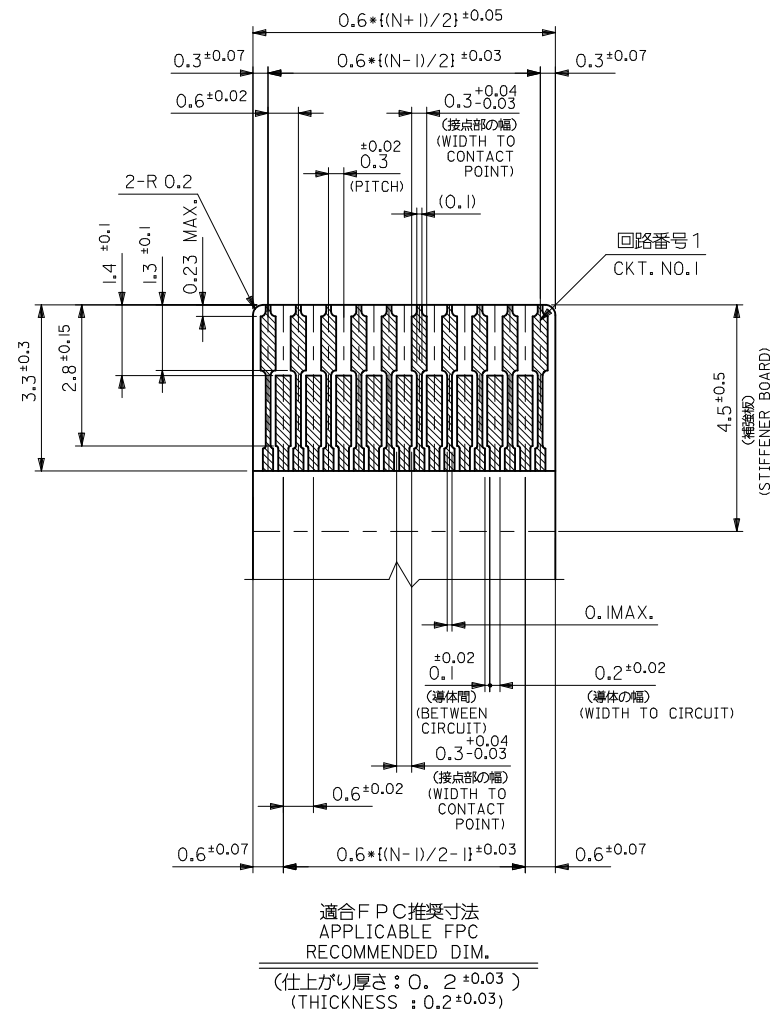
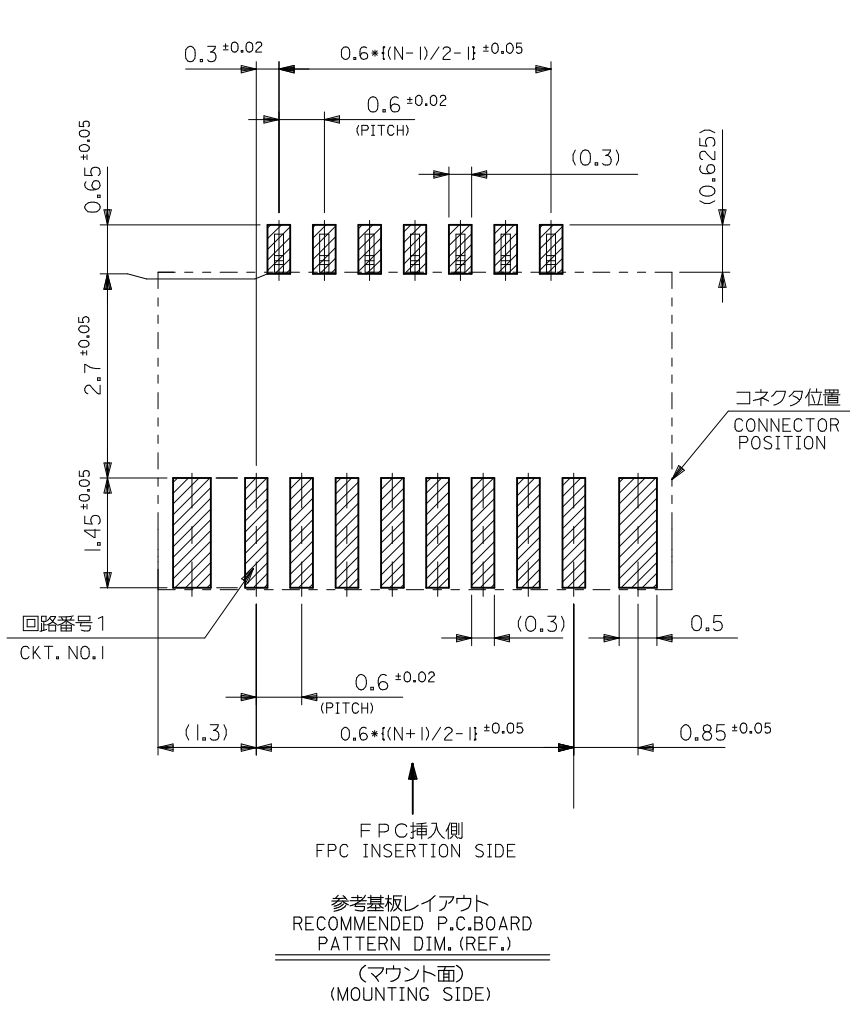


12.0	11.4	10.8	14.0	54809-3998	54809-3928	39
D	C	B	A	EMBOSSED TAPE	MATERIAL NO.	CKT.
				ORDER No. オート番号		
				54809-***28	MODEL NO.	

注記 NOTES

1. 使用材料 MATERIAL
 ハウジング HOUSING : LCP , UL94V-0
 アクチュエータ ACTUATOR : PA 46 , UL94V-0
 ターミナル : リン青銅 (t=0.12) , 錫・ビスマス (2%) , ニッケル下地
 TERMINAL : PHOSPHOR BRONZE , TIN- 2% BISMUTH OVER NICKEL PLATING.
 金具 : リン青銅 (t=0.2) , 錫メッキ, ニッケル下地
 STOPPER : PHOSPHOR BRONZE , TIN OVER NICKEL PLATING.
2. ソルダーテール半田付け面のズレ量は、基準面 [R] に対し、
 上方向 OMAX、下方向 0.1MAX、とする。
 MISALIGNMENT OF SOLDER TAILS AND FITTING NAILS FROM [R]
 UPPER DIRECTION : 0 MAX., LOWER DIRECTION : 0.1 MAX.
 OFFSET BETWEEN SOLDER TAILS AND FITTING NAILS : 0.1 MAX.
3. 一般公差 : ±0.3
 GENERAL TOLERANCES : ±0.3
4. 本製品は 54809-***27 の鉛フリー品である。
 THIS PRODUCT IS LEAD FREE OF 54809-***27

REVISED EC NO: J2014-1896 DRWN: YOSHII 01 2014/06/30 CHKD: YKOBAYASHI 02 2014/06/30 APPR: YNOGAWA 2014/07/17	GENERAL TOLERANCES (UNLESS SPECIFIED)	DIMENSION STYLE MM ONLY	SCALE ---	DESIGN UNITS METRIC	THIRD ANGLE PROJECTION
	10 UNDER ± ---	DRAWN BY M. NABEI	DATE '03/12/22	TITLE 0.3 FPC CONN E/O HSG ASSY (H=1.3) -LEAD FREE-	
	10 OVER 30 UNDER ± ---	CHECKED BY K. TOJO	DATE '03/12/22		
	30 OVER ± ---	APPROVED BY M. SASAO	DATE '03/12/22		
ANGULAR ± --- °	MATERIAL NO.	DOCUMENT NO.	SEE TABLE		
DRAFT WHERE APPLICABLE MUST REMAIN WITHIN DIMENSIONS	SIZE A3	THIS DRAWING CONTAINS INFORMATION THAT IS PROPRIETARY TO MOLEX INCORPORATED AND SHOULD NOT BE USED WITHOUT WRITTEN PERMISSION			



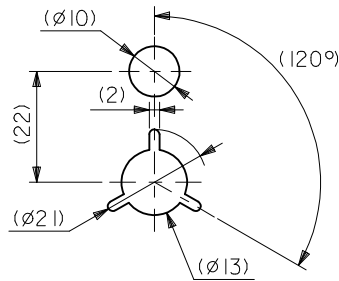
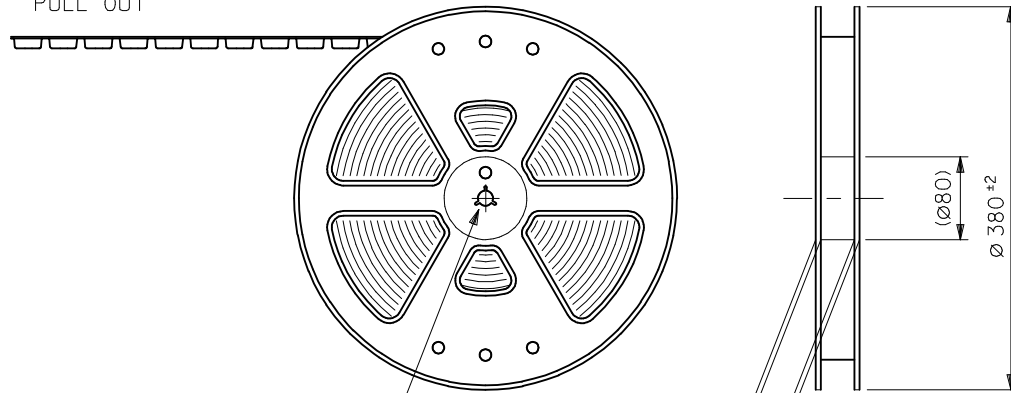
FPCについて:

打抜き方向は、導体側から補強板側を推奨いたします。
補強フィルム材質は、ポリイミドを推奨いたします。
接着剤は、熱硬化接着剤を推奨いたします。

ABOUT FPC :
RECOMMENDED PUNCHER DIRECTION : FROM CONDUCTOR SIDE TO STIFFENER BOARD SIDE.
RECOMMENDED MATERIAL :
STIFFENER FILM : POLYIMIDE
BONDING AGENT : THERMOSETTING BONDING AGENT

REVISED EC NO: J2014-1896 DRWN:AYOSHI I 01 2014/06/30 CHKD:YKOBAYASHI 022014/06/30 APPR:YNOGAWA 2014/07/17	DESCRIPTION	GENERAL TOLERANCES (UNLESS SPECIFIED)		DIMENSION STYLE MM ONLY		SCALE ---	DESIGN UNITS METRIC	THIRD ANGLE PROJECTION	
		10 UNDER	± ---	DRAWN BY M. NABEI	DATE '03/12/22	TITLE 0.3 FPC CONN E/O HSG ASSY (H=1.3) -LEAD FREE-			
		10 OVER 30 UNDER	± ---	CHECKED BY K. TOJO	DATE '03/12/22				
		30 OVER	± ---	APPROVED BY M. SASAO	DATE '03/12/22				
REV J	ANGULAR ± --- ° DRAFT WHERE APPLICABLE MUST REMAIN WITHIN DIMENSIONS	MATERIAL NO. SEE SHEET 1		DOCUMENT NO. SD-54809-036		SHEET NO. 2 OF 2			

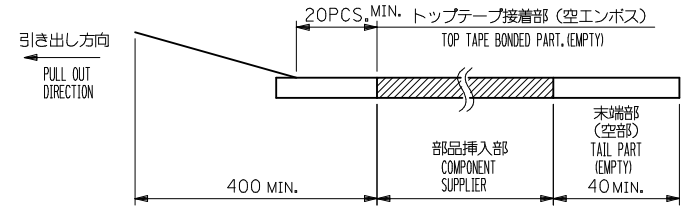
引き出し方向
PULL OUT



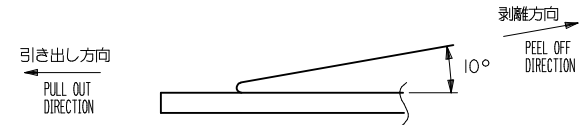
DETAIL "F"

注記 NOTES

- 製品詳細寸法については、図面SD-54809-036を参照下さい。
RE DETAILED DIMENSION, SEE SD-54809-036.
- 梱包数量：2500個/リール
NUMBER OF CONNECTORS : 2500PCS/REEL
- リードテープ長さ LEAD TAPE LENGTH

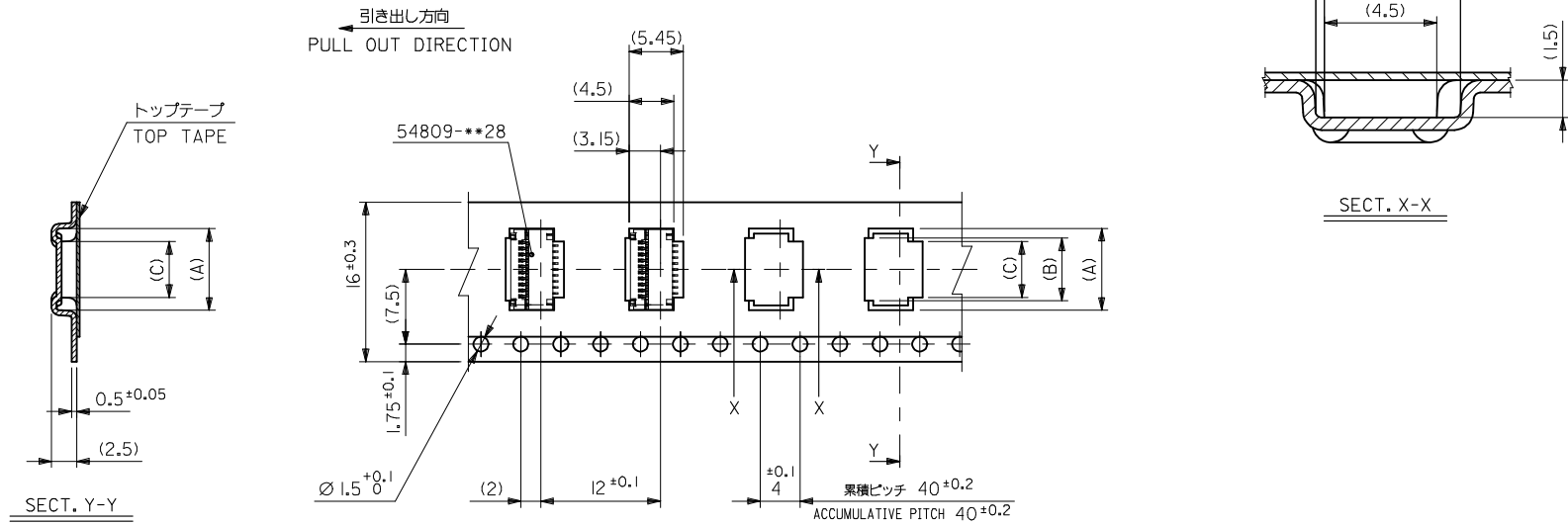


- トップテープの剥離強度：0.1 ~ 1.3N (10 ~ 130gf)
(剥離方向は下図参照)
尚、本規格値は出荷時に適用。(但し、輸送時に剥離が発生しないこと。)
PEELING OFF FORCE OF TOP TAPE : 0.1 ~ 1.3N (10 ~ 130gf)
(PEELING DIRECTION AS SHOWN IN FOLLOWING FIG.)
THIS REQUIREMENT SHOULD BE APPLIED AT SHIPMENT.
PEEL OFF SHOULD NOT BE ALLOWED, DURING TRANSPORTATION.



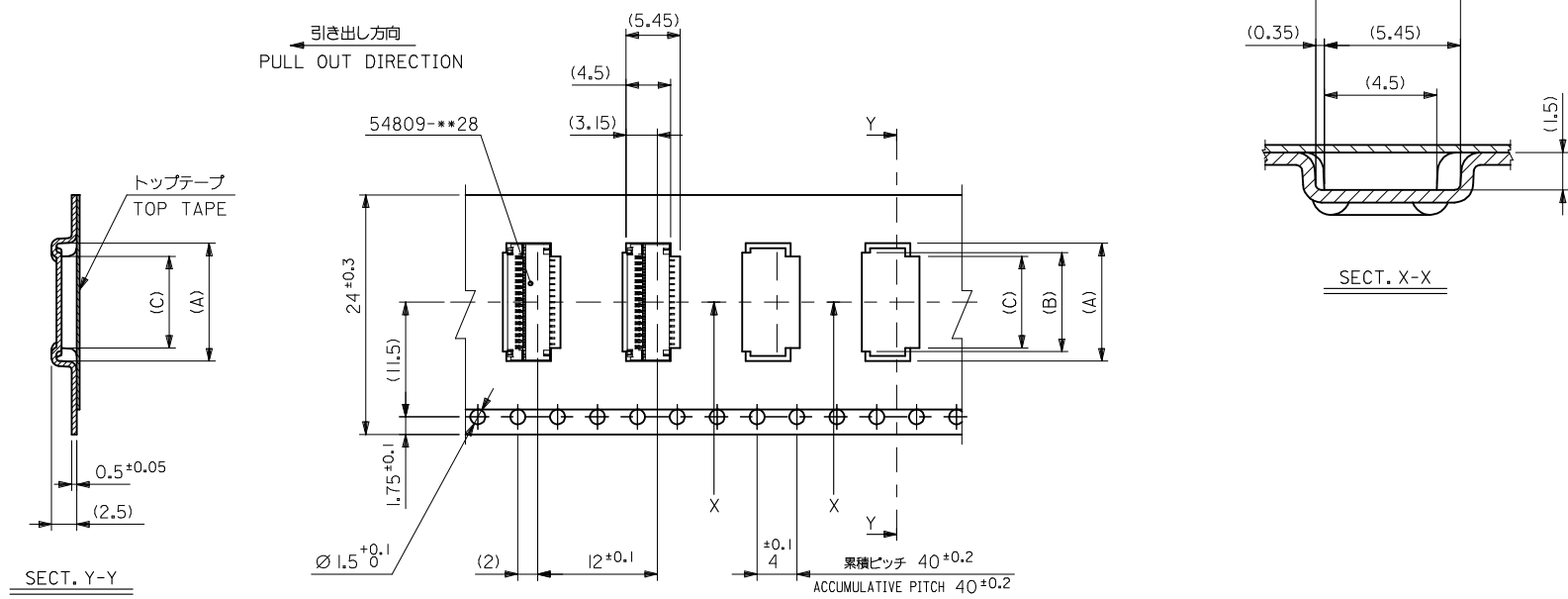
- 材料 (MATERIAL)
キャリアテープ (CARRIER TAPE) : ポリプロピレン (POLYPROPYLENE)
トップテープ (TOP TAPE) : PET, PE, PEF
リール (REEL) : ポリスチレン (PS) <リサイクル材を含む>
POLYSTYRENE(PS) <RECYCLE MATERIAL CONTAINED>
- 本製品は54809-***91の鉛フリー品である。
THIS PRODUCT IS LEAD FREE OF 54809-***91

REVISED EC NO: J2014-1896 DRWN:AYOSHI I 01 2014/07/07 CHKD:YKOBAYASHI 02 2014/06/30 APPR:YNOGAWA 2014/07/17	GENERAL TOLERANCES (UNLESS SPECIFIED)		DIMENSION STYLE MM ONLY		SCALE ---	54809-***98	MODEL NO.	
	10 UNDER	± ---	DRAWN BY M. NABE I	DATE '03/12/22	TITLE	EMBSTP PKG FOR 0.3 FPC CONN E/O -LEAD FREE-		
	10 OVER 30 UNDER	± ---	CHECKED BY K. TOJO	DATE '03/12/22		molex		
	30 OVER	± ---	APPROVED BY M. SASAO	DATE '03/12/22				
ANGULAR	± --- °	MATERIAL NO.	SEE TABLE		DOCUMENT NO.	SD-54809-037		
DRAFT WHERE APPLICABLE MUST REMAIN WITHIN DIMENSIONS		SIZE A3	THIS DRAWING CONTAINS INFORMATION THAT IS PROPRIETARY TO MOLEX INCORPORATED AND SHOULD NOT BE USED WITHOUT WRITTEN PERMISSION					SHEET NO. 1 OF 4



16mm幅キャリアテープ
16mm WIDTH CARRIER TAPE

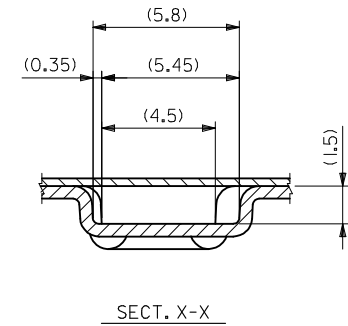
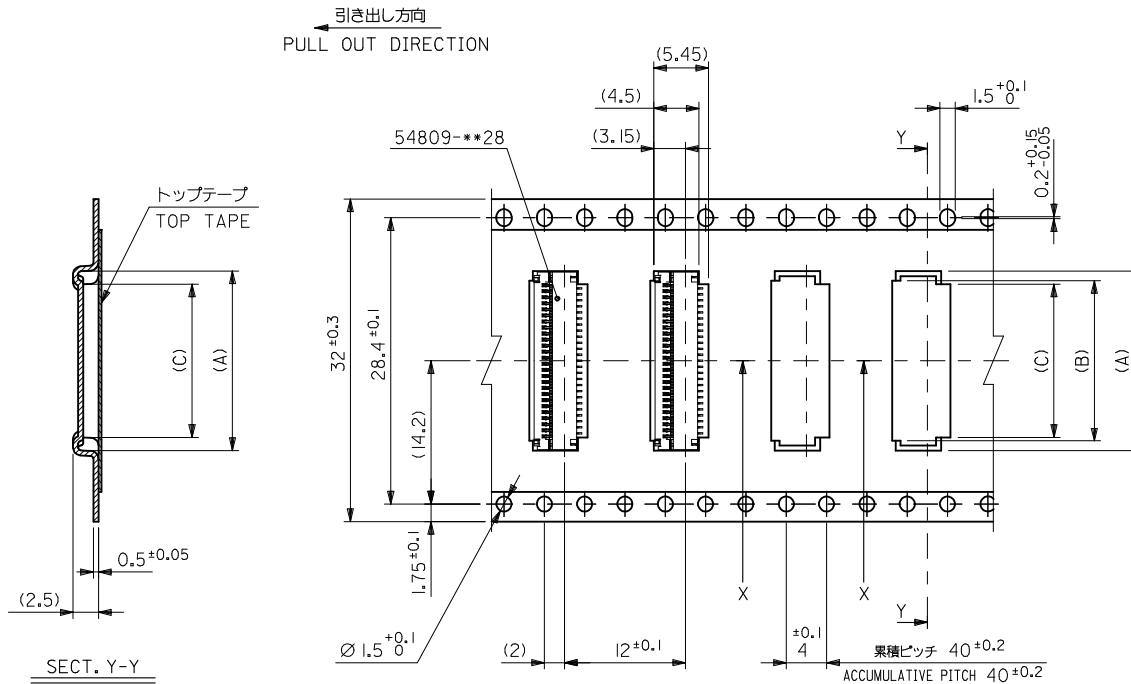
REVISED EC NO: J2014-1896 DRWN:AYOSHI 2014/06/30 CHKD:YKOBAYASHI 2014/06/30 APPR:YNOGAWA 2014/07/17	DESCRIPTION REV	GENERAL TOLERANCES (UNLESS SPECIFIED)		DIMENSION STYLE MM ONLY	SCALE ---	54809-***98 DESIGN UNITS METRIC	MODEL NO.	
		10 UNDER	±---	DRAWN BY M. NABEI	DATE '03/12/22	TITLE EMBSTP PKG FOR 0.3 FPC CONN E/O -LEAD FREE-		
		10 OVER 30 UNDER	±---	CHECKED BY K. TOJO	DATE '03/12/22	molex		
		30 OVER	±---	APPROVED BY M. SASAO	DATE '03/12/22			
ANGULAR ±---° DRAFT WHERE APPLICABLE MUST REMAIN WITHIN DIMENSIONS		MATERIAL NO. SEE TABLE	DOCUMENT NO. SD-54809-037	SHEET NO. 2 OF 4				



24mm幅キャリアテープ
24mm WIDTH CARRIER TAPE

24	29.4	25.4	11.6	12.3	14.2	54809-3998	39
キャリアテープ幅 CARRIER TAPE WIDTH	E	D	C	B	A	MATERIAL NO.	種数 CKT.

REVISED EC NO: J2014-1896 DRWN: AYOSHI 01 2014/06/30 CHKD: YKOBAYASHI 02 2014/06/30 APPR: YNOGAWA 2014/07/17	GENERAL TOLERANCES (UNLESS SPECIFIED)		DIMENSION STYLE MM ONLY		SCALE ---	54809-**-98 DESIGN UNITS METRIC		MODEL NO. THIRD ANGLE PROJECTION	
	10 UNDER	± ---	DRAWN BY M. NABEI	DATE '03/12/22	TITLE EMBSTP PKG FOR 0.3 FPC CONN E/O -LEAD FREE-				
	10 OVER 30 UNDER	± ---	CHECKED BY K. TOJO	DATE '03/12/22					
	30 OVER	± ---	APPROVED BY M. SASAO	DATE '03/12/22					
ANGULAR ± --- °		MATERIAL NO. SEE TABLE		DOCUMENT NO. SD-54809-037		SHEET NO. 3 OF 4			
DRAFT WHERE APPLICABLE MUST REMAIN WITHIN DIMENSIONS		SIZE A3 THIS DRAWING CONTAINS INFORMATION THAT IS PROPRIETARY TO MOLEX INCORPORATED AND SHOULD NOT BE USED WITHOUT WRITTEN PERMISSION							



32mm幅キャリアテープ
32mm WIDTH CARRIER TAPE

REVISED EC NO: J2014-1896 DRWN: AYOSHI 2014/06/30 CHKD: YKOBAYASHI 2014/06/30 APPR: YNOGAWA 2014/07/17	GENERAL TOLERANCES (UNLESS SPECIFIED)		DIMENSION STYLE MM ONLY		SCALE ---	54809-**-98	MODEL NO.
	10 UNDER	±---	DRAWN BY M. NABEI	DATE '03/12/22	TITLE	EMBSTP PKG FOR 0.3 FPC CONN E/O -LEAD FREE- molex	
	10 OVER 30 UNDER	±---	CHECKED BY K. TOJO	DATE '03/12/22			
	30 OVER	±---	APPROVED BY M. SASAO	DATE '03/12/22			
ANGULAR	±---°	MATERIAL NO.	SEE TABLE		DOCUMENT NO.	SD-54809-037	
DRAFT WHERE APPLICABLE MUST REMAIN WITHIN DIMENSIONS		SIZE A3	THIS DRAWING CONTAINS INFORMATION THAT IS PROPRIETARY TO MOLEX INCORPORATED AND SHOULD NOT BE USED WITHOUT WRITTEN PERMISSION				