

Product Information

MLX75023

QVGA Time-of-Flight sensor for Automotive Applications

- 320 x 240 pixels
- 1/3" sensor format (4.8 x 3.6 mm²)
- High Ambient Light Robustness
- Spectral response range 800-900 nm
- Suitable for LED or laser illumination
- Demodulation up to 40 MHz
- Small glass BGA package
- Ambient temperature range -40 to +105 degC

Description

The MLX75023 is a QVGA (320 x 240 pixel) resolution optical Time-of-Flight (TOF) camera sensor. Combined with a modulated light source, this sensor is capable of measuring distance and reflectivity at full resolution. The high dynamic range DepthSense™ pixels support up to 120 klux background light. The sensor is available in a chip scale glass BGA package and offers many integration possibilities.

The MLX75023 features 2 analog dual-ended outputs with 9 bit pixel row & 8 bit pixel column addressing up to 50 MHz. Two digital inputs control the DepthSense™ pixel demodulation, up to a frequency of 40 MHz. The remaining digital inputs are used to control the sensor integration and reset sequence. Supply rails of +3.3V and -3.3V should be provided to power the chip. MLX75023 engineering samples and reference application schematic are available on request.

The Most Cost-Effective Real-Time 3D Imaging Solution

Compared to other 3D imaging solutions available on the market, DepthSense™ TOF sensors are most cost-effective, thanks to

- Standard CMOS process compatibility
- Compatibility with LED and laser illumination
- Inherently robust 3D imaging
- Scalability of resolution, range and field-of-view
- High frame rate
- Minimal post-processing



Bus ICs

BLDC Motor Control ICs

Pressure Sensors

Wireless ICs

Hall Effect ICs And Sensors

Optoelectronic Sensors

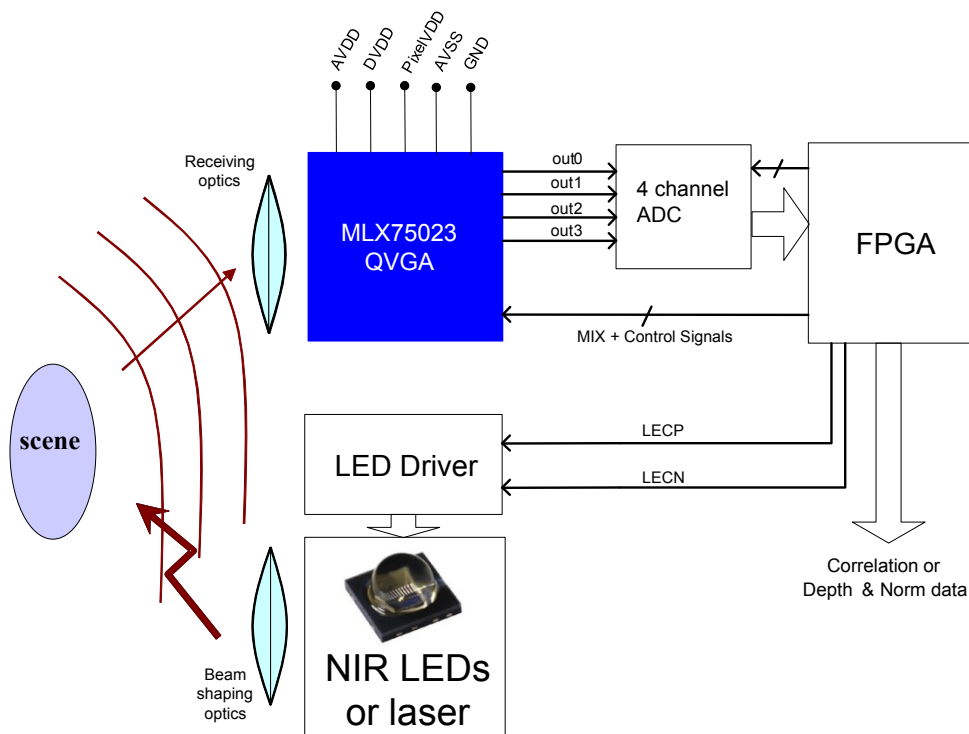
Sensor Interface ICs

Infrared Sensors

Features & Benefits

- Full QVGA (320 x 240) pixel resolution in 1/3" format
- Small pixel size: 15 x 15 μm^2
- Ambient Light Robust up to 120 klux (camera specific)
- Compatible with LED and laser illumination (800-900 nm range)
- Demodulation up to 40 MHz
- Sensor readout up to 50 MS/s
- Available in 6.6 x 5.5 mm^2 glass BGA package
- AEC-Q100 -40° to +105° Qualified

Block Diagram



For additional information email info@melexis.com or go to our website at: www.melexis.com



Disclaimer:
Devices sold by Melexis are covered by the warranty and patent indemnification provisions appearing in its Term of Sale. Melexis makes no warranty, express, statutory, implied, or by description regarding the information set forth herein or regarding the freedom of the described devices from patent infringement. Melexis reserves the right to change specifications and prices at any time and without notice. Therefore, prior to designing this product into a system, it is necessary to check with Melexis for current information. This product is intended for use in normal commercial applications. Applications requiring extended temperature range, unusual environmental requirements, or high reliability applications, such as military, medical life-support or life-sustaining equipment are specifically not recommended without additional processing by Melexis for each application. The information furnished by Melexis is believed to be correct and accurate. However, Melexis shall not be liable to recipient or any third party for any damages, including but not limited to personal injury, property damage, loss of profits, loss of use, interrupt of business or indirect, special incidental or consequential damages, of any kind, in connection with or arising out of the furnishing, performance or use of the technical data herein. No obligation or liability to recipient or any third party shall arise or flow out of Melexis' rendering of technical or other services. ©2010 Melexis NV. All rights reserved.

Bus ICs

BLDC Motor
Control ICs

Pressure Sensors

Wireless ICs

Hall Effect ICs
And Sensors

Optoelectronic
Sensors

Sensor Interface ICs

Infrared Sensors