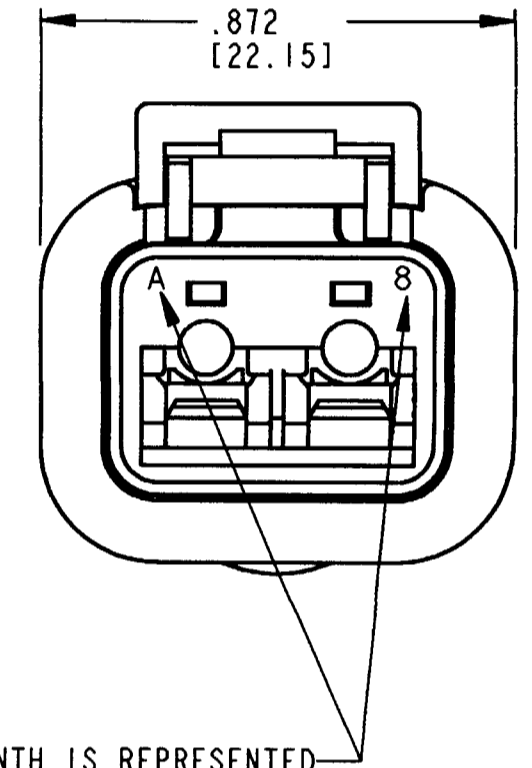
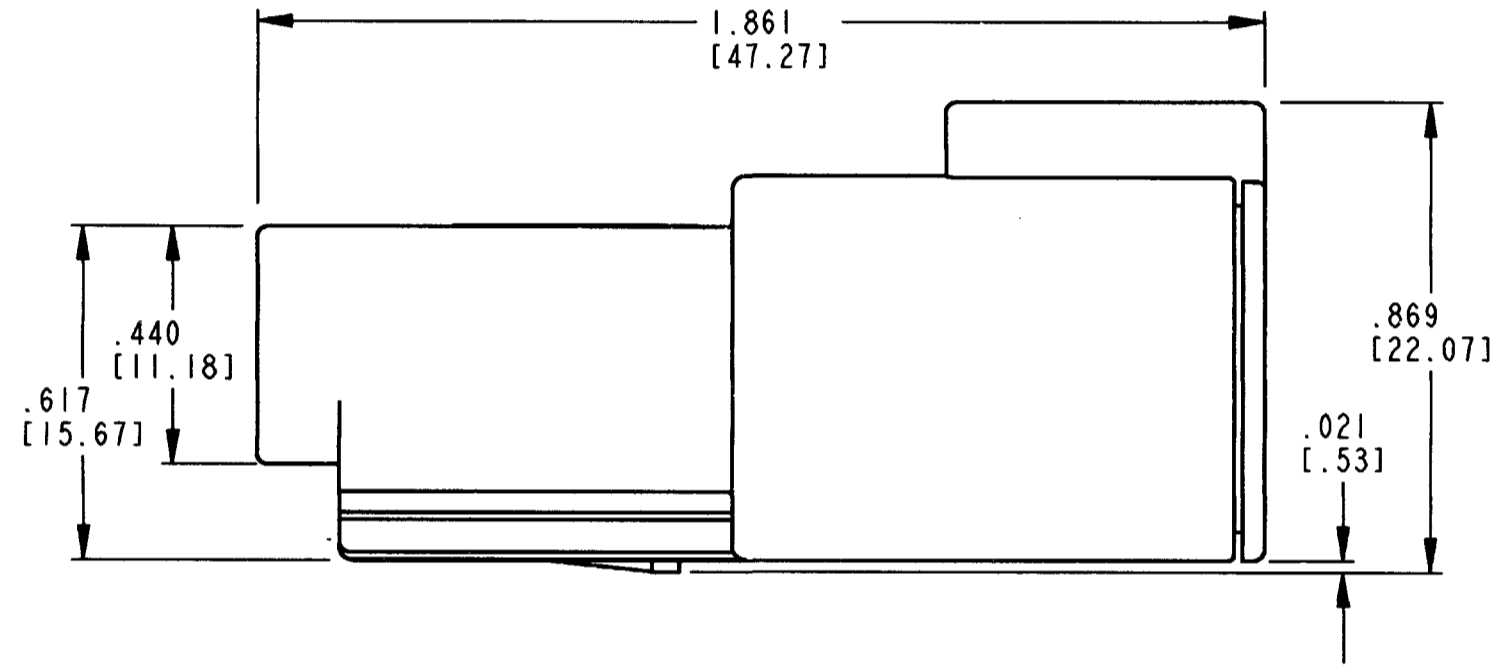
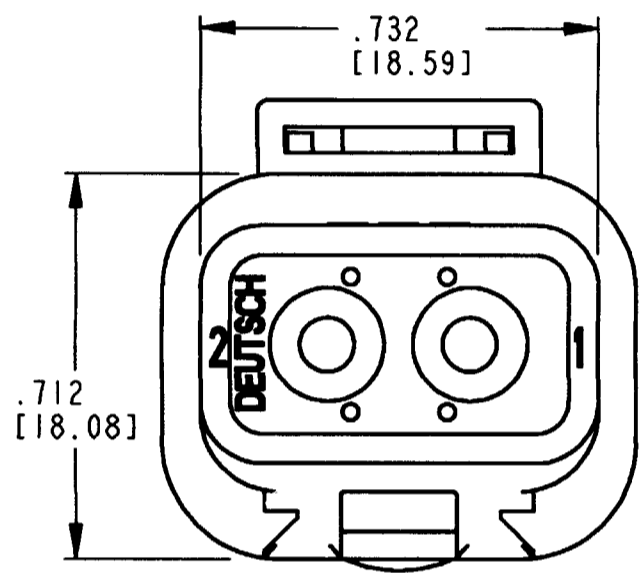
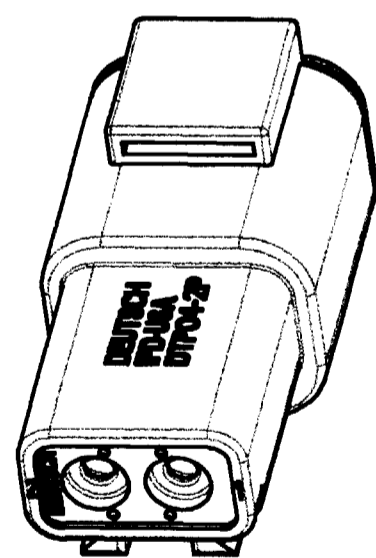


REV C	<b>DTP04-2P</b>	REVISIONS		
SYM	DESCRIPTION	DATE	APPROVED	
NC	NEW RELEASE PER E.O. P15586	03/31/98	R.D.R.	
A	REVISED PER E.O. P16264	08/30/99	R.D.R.	
B	REVISED PER E.O. P17088	1-23-01	R.D.R.	
C	REVISED PER E.O. P17309	6-14-01	RDR	



DATE CODE: MONTH IS REPRESENTED BY SEQUENTIAL ALPHA CHARACTERS. EX: A=JANUARY; YEAR IS REPRESENTED BY LAST NUMERICAL DIGIT. EX: 8=2008

- 6. MATERIAL: HOUSING/SLEEVE: PLASTIC  
GROMMET/SEAL: RUBBER
  - 5. THIS RECEPTACLE MATES WITH DTP06-2S-\*\*\*\* PLUG.  
(\*\*\*\* = ALL MODIFICATIONS)
  - 4. FOR CONTACT AND WIRE PERFORMANCE AND APPLICATION CHARACTERISTICS SEE ENVELOPE DRAWING 0425-015-0000.
  - 3. SECONDARY WEDGE LOCK SOLD SEPARATELY, WP-2P.
  - 2. DIMENSION TOLERANCE: ±.025 [.64].
  - 1. DIMENSIONS ARE IN INCHES [mm].
- NOTES: UNLESS OTHERWISE SPECIFIED



**3D VIEW**

CONTACT SIZE	MIN. INSUL. O.D.	MAX INSUL. O.D.	WIRE RANGE [mm <sup>2</sup> ] REF ONLY
12	.134 [3.40]	.170 [4.32]	10-14 AWG [5.0-2.0]

SIGNATURE & DATE		<b>RECEPTACLE 2 CONTACTS, SIZE 12 COLOR: GREY DTP SERIES</b>	CP	MATL. CODE	
DR	V. TOMSA MAR-18-98		<b>The Deutsch Company</b> DEUTSCH I.P.D. 3850 INDUSTRIAL AVE. HEMET, CALIF. 92545		
CHK	<i>[Signature]</i> 6/17/01		<b>B</b>	<b>DTP04-2P</b>	
PE	<i>[Signature]</i> 6/14/01			DWG SIZE	CODE
APPD	<i>[Signature]</i> 6-14-01	ENVELOPE			
SCALE	NONE	WT			