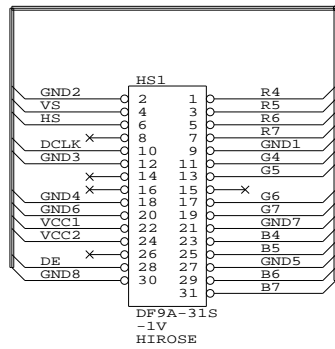
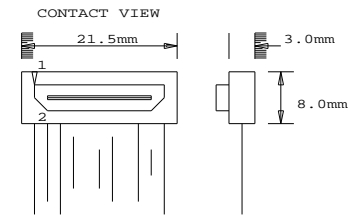


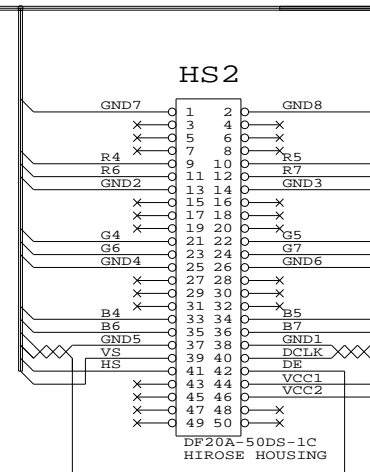
PANEL SIDE



BLACK
PLASTIC
MOULDED



CN1
ORIENTATION



CABLE: UL1571, 30AWG, COLOR CODED
INNER SHIELDING: COPPER MESH
OUTER SHIELDING: NYLON MESH FOR INSULATION

DCLK/GND1 & DE/GND5 MUST USE TWISTED PAIR WIRE

P/N 426501200-3

PANEL CABLE: SHARP LQ9D03B, 330mm

DIGITAL VIEW LTD.		
COPYRIGHT 2007, ALL RIGHTS RESERVED		
CONFIDENTIAL		
DRAWN BY: VICTOR NG		
Title	P.CABLE: SHARP LQ9D03B,330mm	
Size	Document Number	REV
B	(G:\...\DV\DV_CABLE\C6501200.SCH)	00
Date:	May 14, 2007	Sheet 1 of 1