

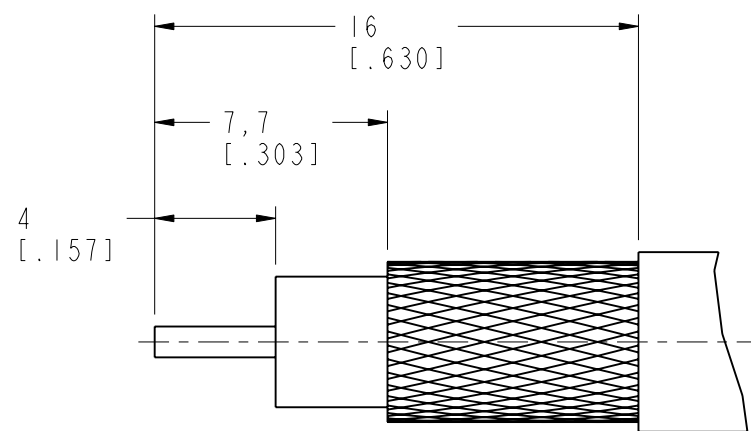
NOTES:

1. MATERIALS AND FINISHES:
 BODY - BRASS, NICKEL PLATING
 CONTACT PIN - PHOSPHOR BRONZE, GOLD PLATING
 INSULATOR - PTFE, NATURAL
2. ELECTRICAL:
 A. IMPEDANCE: 75 OHM
 B. FREQUENCY RANGE: DC - 2 GHz
 D. DIELECTRIC WITHSTANDING VOLTAGE: 300 VRMS, MIN.
3. MECHANICAL:
 A. DURABILITY: 500 CYCLES MIN.
 B. TEMPERATURE RANGE: -20°C TO +75°C
4. CRIMPED FERRULE
 HEX. CRIMP SIZE .324"
5. CRIMPED CONTACT PIN
 SQ. CRIMP SIZE .042" OR SOLDER

THIRD ANGLE PROJ.

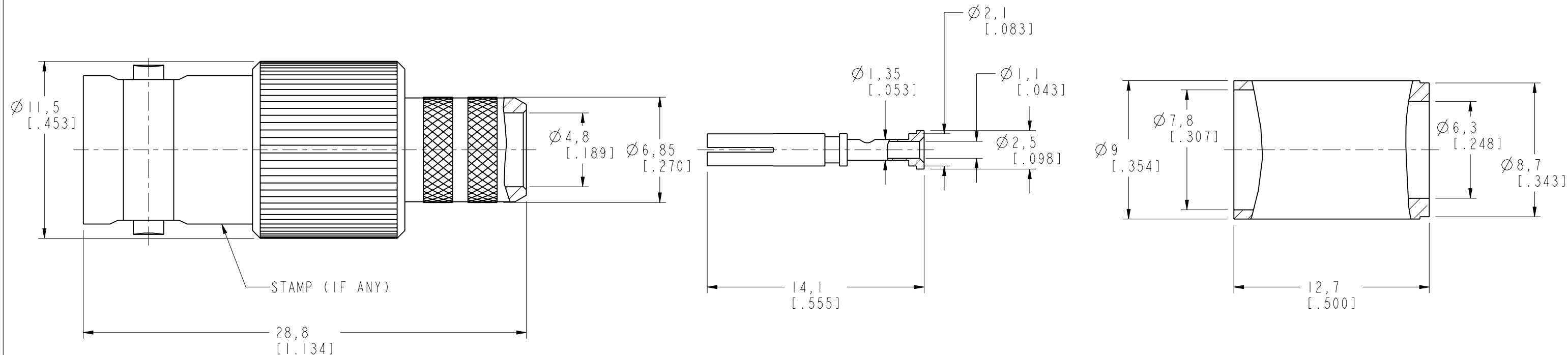
REVISIONS

REV	DESCRIPTION	DATE	ECO	APPR
NC	INITIAL RELEASE	22-Dec-97	-----	GRS
A	UPDATE DRAWING FORMAT	20-Feb-06	-----	GRS
B	UPDATE DRAWING FORMAT	26-Jun-14	2723	MZ



SCALE 1.000

RECOMMENDED
CABLE STRIPPING DIM'S



CUSTOMER OUTLINE DRAWING
ALL OTHER SHEETS ARE FOR INTERNAL USE ONLY

UNLESS OTHERWISE SPECIFIED, DIMENSIONS ARE IN METRIC AND TOLERANCES ARE: <0.5mm ±0.05mm 0.5 - 6mm ±0.1mm 6 - 30mm ±0.2mm 30 - 120mm ±0.3mm ANGLES ±1°	MATERIAL	DRAWN M. ZHANG	DATE 26-Jun-14	TITLE BNC CRIMP JACK (FOR RG-6 PLENUM/ BELDEN 1695A CABLE)	
	REFERENCE 112966-NT3G-75	ENGINEER GOLDEN.W	DATE 26-Jun-14		
NOTICE - These drawings, specifications, or other data (1) are, and remain the property of Amphenol corp. (2) must be returned upon request; and (3) are confidential and not to be disclosed to any person other than those to whom they are given by Amphenol Corp. the furnishing of these drawings, specifications, or other data by Amphenol Corp., or to any other person to anyone for any purpose is not to be regarded by implication or otherwise in any manner licensing, granting rights to permitting such holder or any other person to manufacture, use or sell any product, process or design, patented or otherwise, that may in any way be related to or disclosed by said drawings, specifications, or other data.	CONFIGURATION LEVEL: <input type="checkbox"/> <input type="checkbox"/> <input type="checkbox"/>	APPROVED S. HSIEH	DATE 26-Jun-14	SCALE: 4.0:1.0	SHEET 3 OF 3
	FINISH	CAD FILE	DWG SIZE B	REV B	ITEM NO.