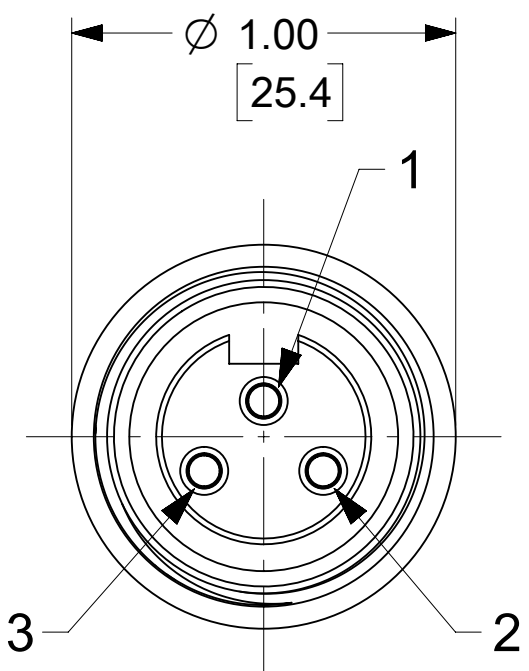
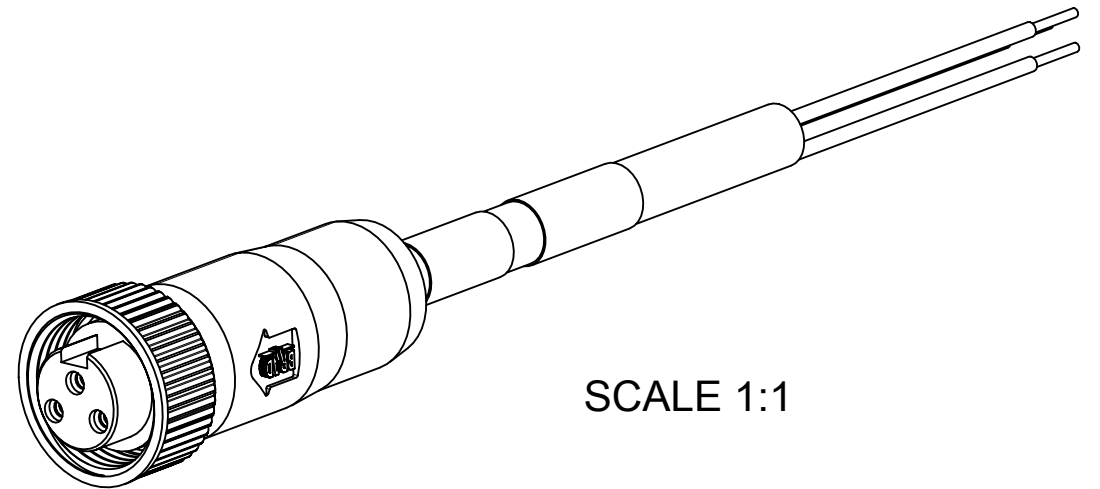
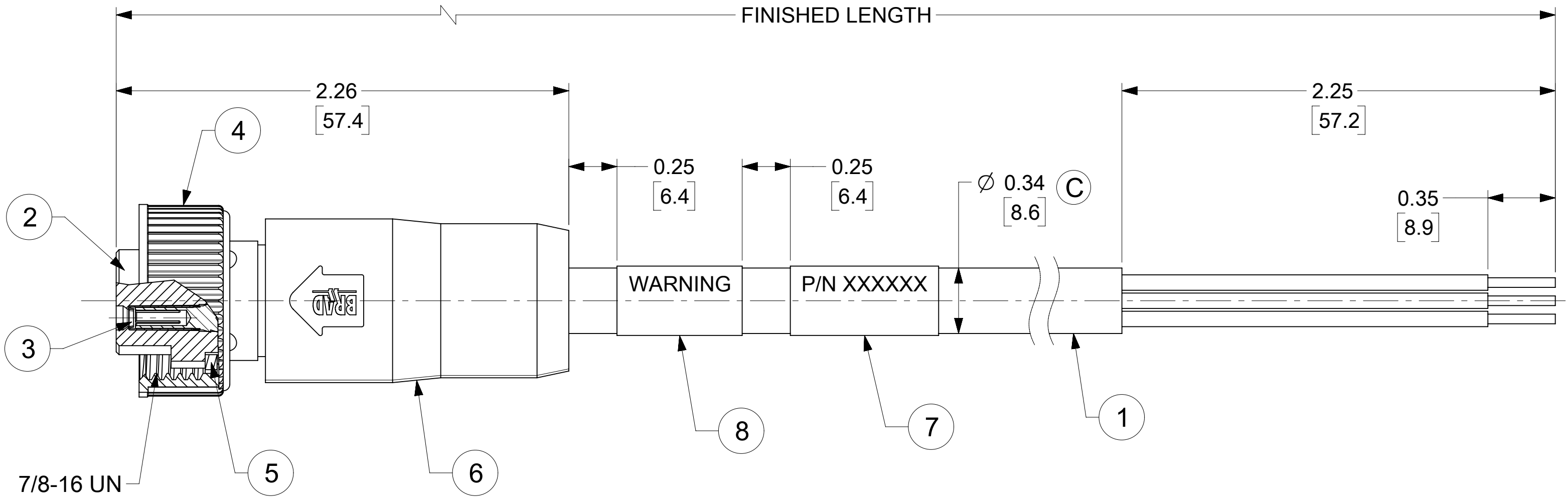


MATERIAL NO.	ENGINEERING NO.	FINISHED LENGTH
1300611029	103000K20M010E	3 FT 3 IN (1M)
1300611096	103000K20M050G	16 FT 4.9 IN (5M)
1300611033	103000K20M200E	65 FT 6 IN (20M)

CABLE LENGTH TOLERANCES
 <.3M [1FT]: +19mm-0 [+ .75in-0]
 .3 - .9M [1 - 3FT]: +44.5mm-0 [+1.75in-0]
 .9 - 1.8M [3 - 6FT]: +55.6mm-0 [+2.19in-0]
 1.8 - 3.7M [6 - 12FT]: +88.9mm-0 [+3.50in-0]
 3.7 - 7.3M [12 - 24FT]: +165.1mm-0 [+6.50in-0]
 7.3-14.6M [24 - 48FT]: +317.5mm-0 [+12.50in-0]
 14.6 - 30.5M [48-100FT]: +622.3mm-0 [+24.50in-0]
 OVER 30M [100FT] +2% OF FINISHED LENGTH



FEMALE FACE VIEW



- NOTES:
1. MATERIAL: AS NOTED
 2. FINISH: AS NOTED
 3. ELECTRICAL:
 VOLTAGE: 500V PER IEC60664
 600V PER UL2237
 CURRENT: 15A
 4. TEMP RATING: -20°C TO +90°C
 5. PROTECTION: IP67 (WHEN MATED)
 6. UL LISTED FILE: 258922
 7. ALL DIMS ARE FOR REFERENCE UNLESS TOLERANCED OR NOTED OTHERWISE

WIRING DIAGRAM

S1	
1	GREEN/YELLOW
2	BLACK
3	WHITE

PART NUMBER LEGEND

103000K20M010E

OVERMOLD
 E=RED
 G=BLACK

FINISHED LENGTH
 M001 = 0.1 METER
 M010 = 1 METERS
 M100 = 10 METERS

8	WARNING LABEL	VINYL	BLACK/ORANGE
7	WRAP LABEL	VINYL	BLACK/YELLOW
6	OVERMOLD	TPE	BLACK
5	FRICITION RING	NYLON	WHITE
4	COUPLING NUT	ZINC DIE-CAST	BLACK E-COAT
3	SOCKET CONTACT	Cu ALLOY	GOLD PLATED
2	FEMALE INSERT	TPE	BLACK
1	CABLE, 14 AWG TC-ER	TPE	BLACK
ITEM	DESCRIPTION	MATERIAL	FINISH

FUNCTIONAL SYMBOLS	THIS DRAWING CONTAINS INFORMATION THAT IS PROPRIETARY TO MOLEX ELECTRONIC TECHNOLOGIES, LLC AND SHOULD NOT BE USED WITHOUT WRITTEN PERMISSION			
	DIMENSION UNITS	SCALE		CURRENT REV DESC: ITEM #2 & 6 WERE PVC, MODIFIED MATERIAL TABLE & ADDED CABLE DIA.
	INCH/MM	2:1		
	GENERAL TOLERANCES (UNLESS SPECIFIED)			
	MM	INCH		
DIVISIONAL SYMBOLS	4 PLACES	±	±	EC NO: 709714 DRWN: VHANDI 2020/05/13 CHK'D: RSTONE 2022/06/08 APPR: BWOODMAN 2022/06/14
	3 PLACES	±	±	
	2 PLACES	±	±	
	1 PLACE	±	±	
	0 PLACES	±	±	INITIAL REVISION: DRWN: RSTONE 2015/11/09 APPR: BWOODMAN 2015/12/04
ANGULAR TOL		±	°	THIRD ANGLE PROJECTION
DRAFT WHERE APPLICABLE MUST REMAIN WITHIN DIMENSIONS				DRAWING SERIES C-SIZE 130061

			BRAD POWER CORDSET, A SIZE 3 POLE, FEMALE, STRAIGHT, SINGLE KEY, 14 AWG		
			PRODUCT CUSTOMER DRAWING		
DOCUMENT NUMBER		DOC TYPE	DOC PART	REVISION	
SD-130061-032		PSD	001	C	
MATERIAL NUMBER		CUSTOMER		SHEET NUMBER	
SEE TABLE		GENERAL MARKET		1 OF 1	