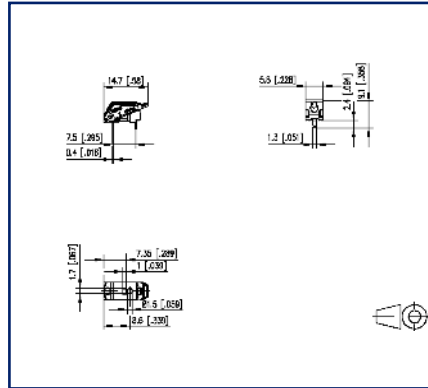


Data sheet
SR99S01VBNN06G7 orange

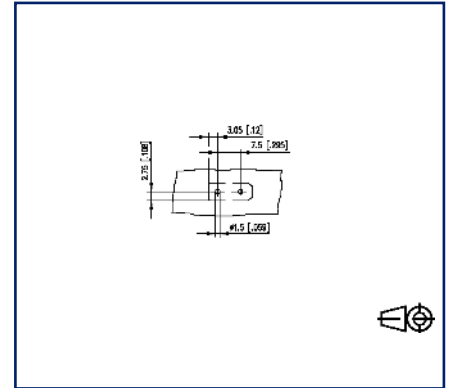
Illustrations



Dimensional drawing



Drill pattern





See enlarged drawings at the end of document

Product specification

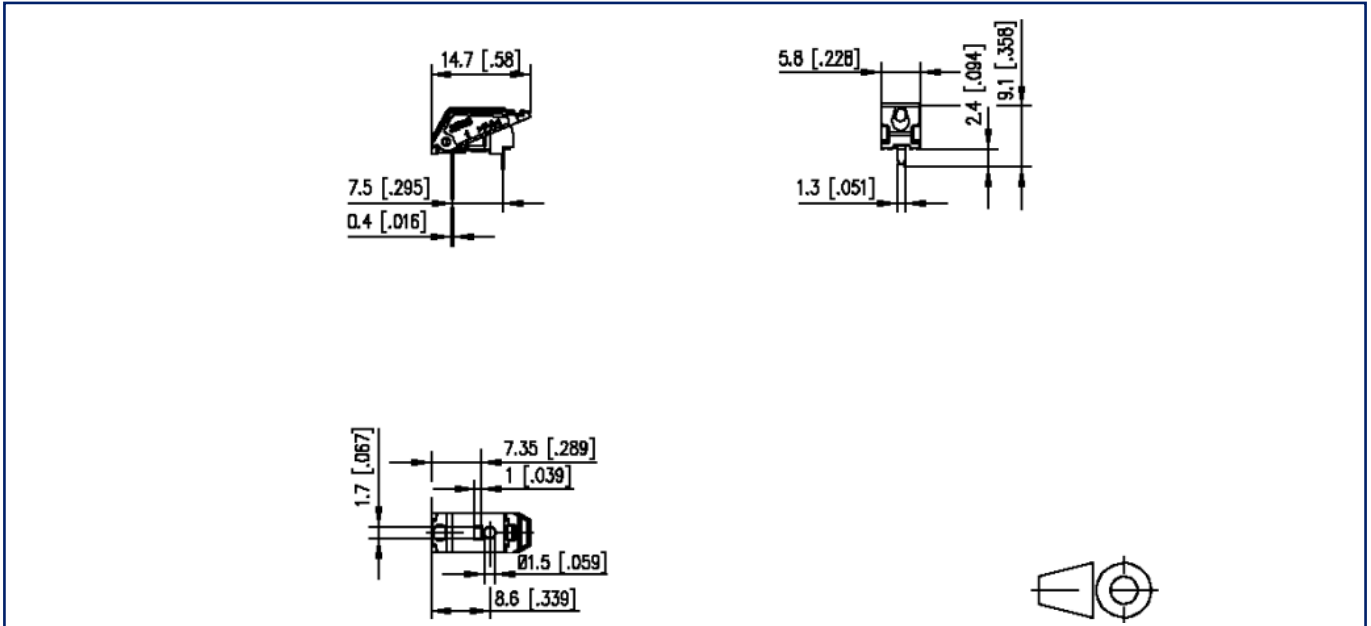
- ethernet-capable spring clamp terminal block, THR solderable, double solder pins
- direction of connection 90°
- fittable without loss of poles
- color orange
- Tape & Reel packaging possible
- finger push-button
- test point and wire connection indicator
- Variants: black, creme white, yellow, green, red, blue, orange, gray, brown, white

Technical Data

| General Data | |
|--|---|
| Solder pin length | 2.4 mm |
| pole size | 1 |
| Insulating material class | CTI 600 |
| Protection category | IP20 |
| Min. insul. strip length | 7 mm |
| Rated current | 9 A |
| Terminal data | |
| rat.wiring solid AWGmax | 0.2 mm ² - 1.5 mm ² / AWG 24 - AWG 16 |
| rat.wiring strand.AWGmax | 0.2 mm ² - 1.5 mm ² / AWG 24 - AWG 16 |
| Approvals | |
|  V / A / AWG | 300 / 9 / 24 - 16 |
| approval UL - File No. | E121004 |
|  0.75 mm ² | 9 A / T60 |
| Material | |
| insulating material | PPA |
| flammability class | V0 |
| spring material | Spring steel |
| contact material | CuSn |
| Contact surface | Sn |
| Glow-Wire Flammability GWFI | 850 °C acc. to IEC 60695-2-12 |
| Glow-Wire Flammability GWIT | 775 °C acc. to IEC 60695-2-13 |
| Climatic Data | |
| upper limit temperature | 105 °C |
| lower limit temperature | -40 °C |
| general | |
| Tolerance | ISO 2768 -mH |
| Solderability | reflowable |

Illustrations

Dimensional drawing



Drill pattern

