

Specification Sheet

USB2.0 Flash Drive
Handy Steno AH325



Table of Contents

1. Product Introduction.....	3
2. Product Features.....	3
3. Specifications.....	4
4. Physical Dimension.....	4

1. Product Introduction

Simple yet exquisite design with easy-to-use retractable USB connector makes it the most fashionable USB flash drive with Zen simplicity

The Handy Steno AH325 adopts the popular contemporary architecture style: Zen. With an environmentally friendly design, it bears no additional painting or components, with only an engraved design on the original black surface of the material.

At the front of the drive, the reliable Apacer logo is inscribed on the black surface with brushed finish. The engraved screw decorated in four corners symbolizing the endurance and robustness of the product. The back of the drive adopts a totally different style from the front. An easy-to-use retractable USB connector solves the common problem of losing USB covers. By simply sliding out the USB connector from the back, you can gain access to the important data in the flash drive without the need to worry about misplacing the cover.

It is your ideal solution for storing valuable photos, document files, or video and audio files. The *AH325 USB flash drive* provides a simple but noble appearance, perfectly demonstrating the style of “Zen”.

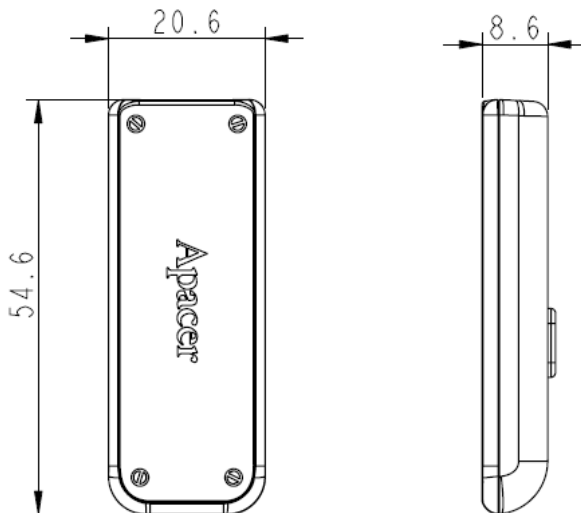
2. Product Features

- **USB 2.0 Hi-Speed interface**
- **Easy plug & play**
- **Sophisticated hairline surface design**
- **Retractable USB connector- Capless design**
- **The lanyard attachment hole with portability**
- **RoHS compliant**

3. Specifications

Specifications	
Interface	High-speed USB 2.0 certified, backwards compatible with USB 1.1
Power supply	USB bus powered No external power required
Operating Systems Supported	Windows XP/2000/Vista/7, Mac OS 8.6 and Linux 2.6.4 or above
Capacity	2GB~ 64GB
Operating Temperature	0° C to +60° C (32° F to 140° F)
Storage Temperature	-20° C to +60° C (-4° F to +140° F)
Dimensions	(L) 54.6 x (W) 20.6 x (H) 8.6 mm
Weight	8g

4. Physical Dimension



Tolerance: ± 0.2 mm