



DEUTSCH DT

TE Internal #: DT06-4S-P012-COMP

TE Internal Description: PLG, 4P, BLK, N, SEAL RET, WEDGE CONT

DEUTSCH DT Series Housings & Connectors

[View on TE.com >](#)

All DEUTSCH DT Series Housings & Connectors (15)

Product Compliance

[For compliance documentation, visit the product page on TE.com>](#)

| | |
|---|--|
| EU RoHS Directive 2011/65/EU | Compliant with Exemptions |
| EU ELV Directive 2000/53/EC | Compliant with Exemptions |
| China RoHS 2 Directive MIIT Order No 32, 2016 | Restricted Materials Above Threshold |
| EU REACH Regulation (EC) No. 1907/2006 | <p>Current ECHA Candidate List: JUNE 2023 (235) Candidate List Declared Against: JUNE 2023 (235) SVHC > Threshold: Octamethylcyclotetrasiloxane (D4) (.5% in Component Part) Dodecamethylcyclohexasiloxane (D6) (.5% in Component Part) Decamethylcyclopentasiloxane (D5) (.5% in Component Part) Pb (1.2% in Component Part)</p> <p>Article Safe Usage Statements: Do not eat, drink or smoke when using this product. Wash thoroughly after handling. Recycle if possible and dispose of the article by following all applicable governmental regulations relevant to your geographic location.</p> |
| Halogen Content | Not Low Halogen - contains Br or Cl > 900 ppm. |
| Solder Process Capability | Not reviewed for solder process capability |

Product Compliance Disclaimer

This information is provided based on reasonable inquiry of our suppliers and represents our current actual knowledge based on the information they provided. This information is subject to change. The part numbers that TE has identified as EU RoHS compliant have a maximum concentration of 0.1% by weight in homogenous materials for lead, hexavalent chromium, mercury, PBB, PBDE, DBP, BBP, DEHP, DIBP, and 0.01% for cadmium, or qualify for an exemption to these limits as defined in the Annexes of Directive 2011/65/EU (RoHS2). Finished electrical and electronic equipment products will be CE marked as required by Directive 2011/65/EU. Components may not be CE marked. Additionally, the part numbers that TE has identified as EU ELV compliant have a maximum concentration of 0.1% by weight in homogenous materials for lead, hexavalent chromium, and mercury, and 0.01% for cadmium, or qualify for an exemption to these limits as defined in the Annexes of Directive 2000/53/EC (ELV). Regarding the REACH Regulation, the information TE provides on SVHC in articles for this part number is based on the latest European Chemicals Agency (ECHA) 'Guidance on requirements for substances in articles' posted at this URL: <https://echa.europa.eu/guidance-documents/guidance-on-reach>

Compatible Parts



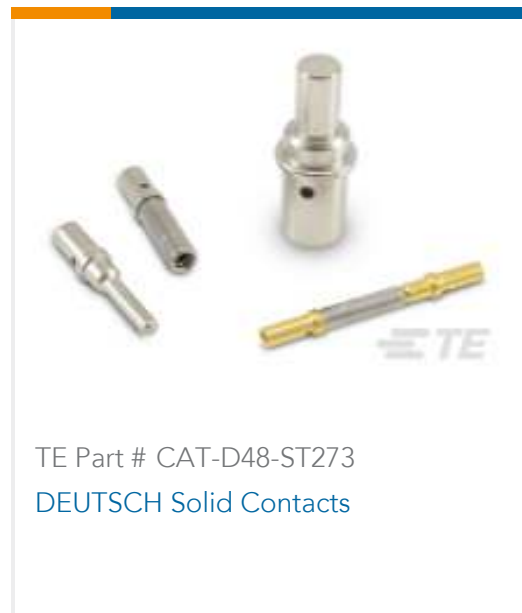
TE Part # CAT-J41-DDRC
DEUTSCH DT Receptacle Connectors



TE Part # CAT-D48-SP729
DEUTSCH Sealing Plugs



TE Part # CAT-D487-B128
DEUTSCH DT Backshells



TE Part # CAT-D48-ST273
DEUTSCH Solid Contacts



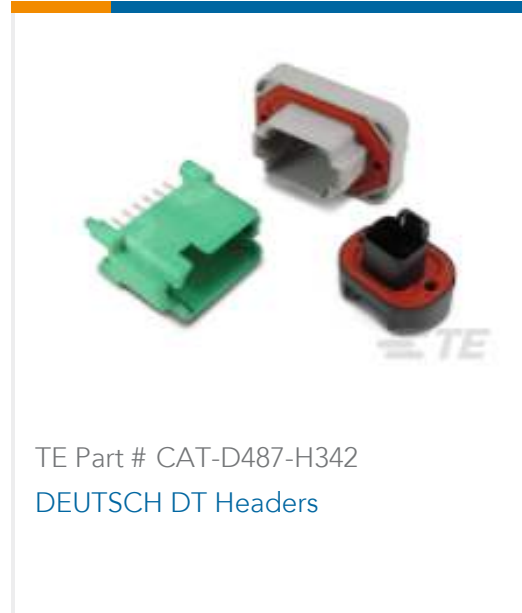
TE Part # 1011-346-0405
DUST CAP, 4P, PLG, BLK, DT



TE Part # CAT-D487-W416
Wedgelocks: DEUTSCH DT



TE Part # 776363-1
SEALING PLUG, SZ 16 CAVITY



TE Part # CAT-D487-H342
DEUTSCH DT Headers



TE Part # DT-RT1
EXT TOOL, FRONT RELEASE



TE Part # DT4S-BT-YW
BOOT, 4P, PLG, ST, YEL



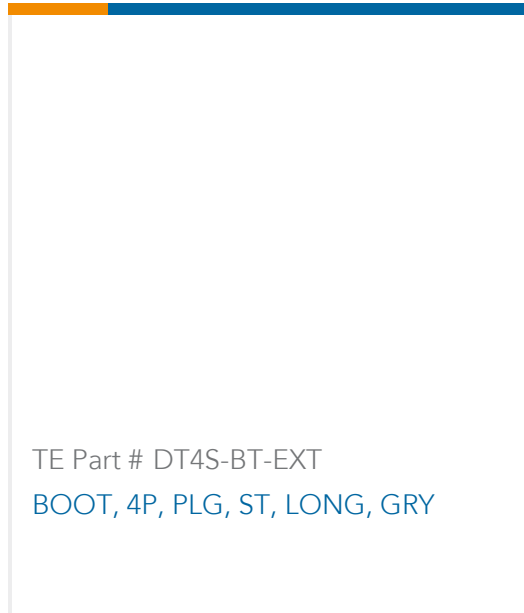
TE Part # CAT-J67-DSCC16
DEUTSCH Size 16 Crimp Contacts



TE Part # DT4S-BT-BK
BOOT, 4P, PLG, ST, BLK



TE Part # DT4S-BT
BOOT, 4P, PLG, ST, GRY



TE Part # DT4S-BT-EXT
BOOT, 4P, PLG, ST, LONG, GRY



TE Part # CAT-D487-CH8172
DEUTSCH DT Series Housings & Connectors

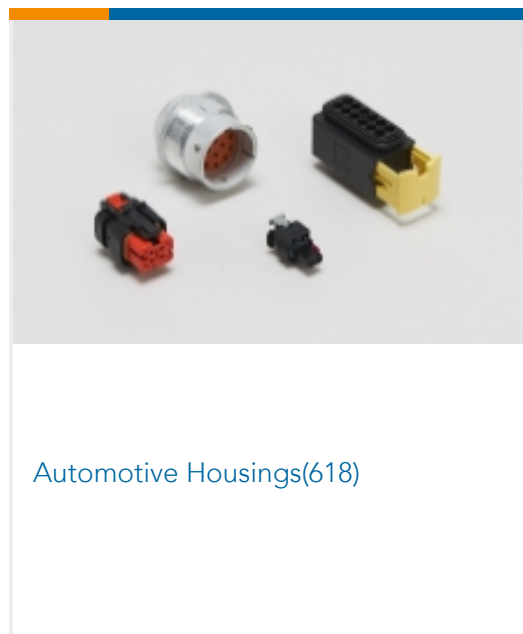
Also in the Series | **DEUTSCH DT**



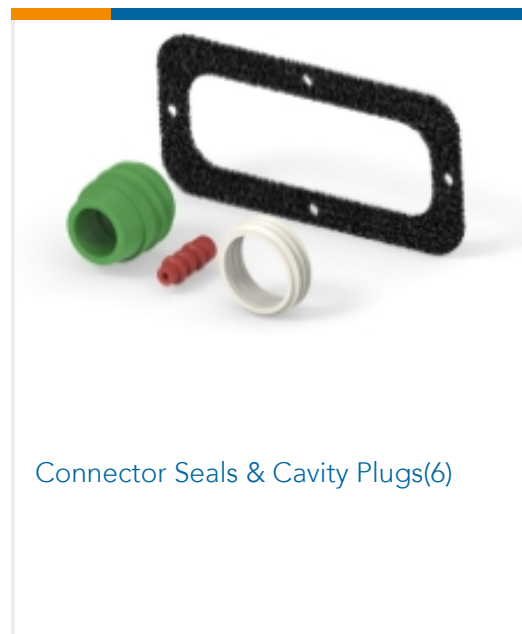
Automotive Connector Caps & Covers
(107)



Automotive Connector Locks & Position Assurance(74)



Automotive Housings(618)



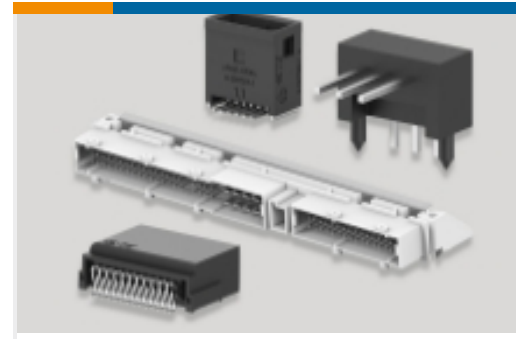
Connector Seals & Cavity Plugs(6)



Insertion & Extraction Tools(3)



Other Automotive Connector Accessories(25)



PCB Headers & Receptacles(103)

Customers Also Bought



TE Part #HDP26-24-23PN-L017
DEUTSCH HDP20 Housings



TE Part #DT04-3P-LE08
REC, 3P, GRY, N, XCAP, FLANGE



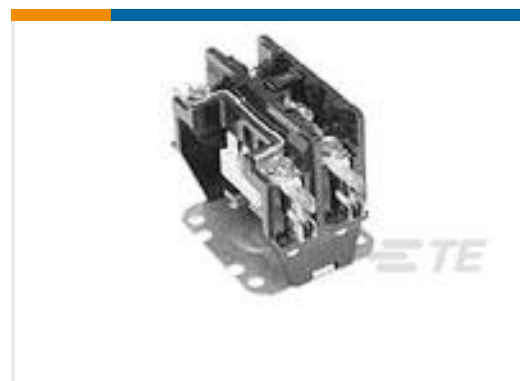
TE Part #1-66358-3
III+ SKT, 18-14, 30AU/FL, STRIP



TE Part #HD30-18BT-90-BK
BOOT, 18SZ, RA, BLK



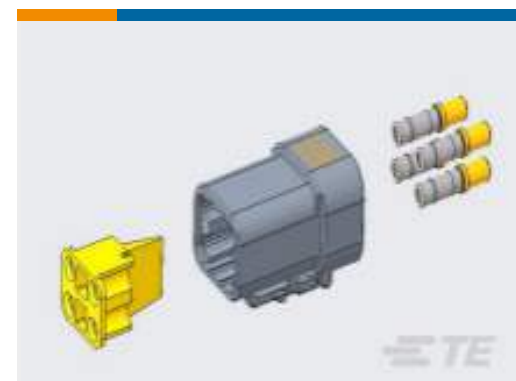
TE Part #1011-030-0205
CLIP, PA66, BLK, T-STUD, ST



TE Part #3-1611005-0
3100-20U6999=30A 2P 208/240V P



TE Part #HD10-6-GKT
GASKET, 6SZ, BLK, HD10



TE Part #DTP06-4S-COMPLETE
DTP06-4S WEG CON

Documents

[Product Specifications](#)

[Engineering Report](#)

English