

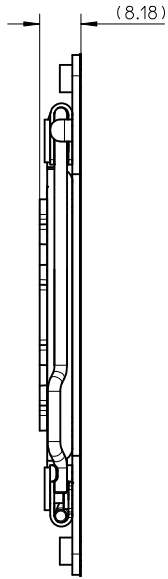
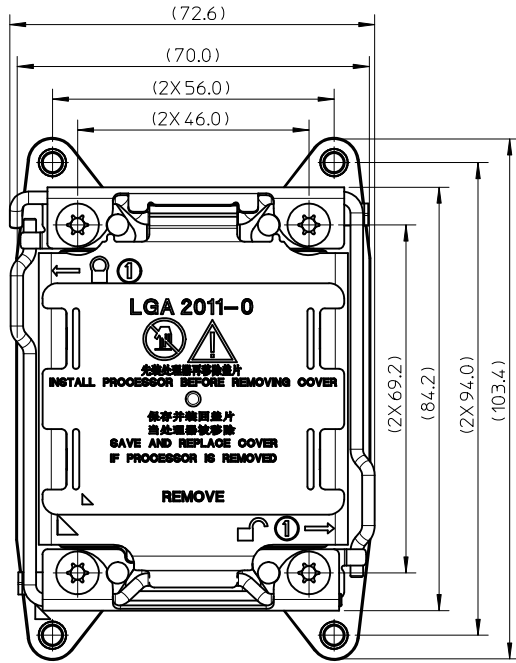
NOTES:
 1. DATE CODE
 2. DIMENSION A : ILM HEIGHT DEFINE

STATUS	HEIGHT
PRE-ASSEMBLY	7.55±0.30
AFTER-ASSEMBLY	7.23±0.30

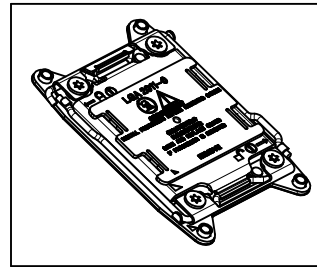
3. THE PARTS 105142**** COMPLIANT TO RoHS DIRECTIVE 2002/95/EC AND ELV 2000/53/EC.

TOP	COMPONENT				
	ITEM NO	Q'TY	PART NO.	DESCRIPTION	MATERIAL
LGA 2011 ILM ASSEMBLY (NARROW) PART NO: 105142-9000	1	4	105143-8001	LGA2011 CAPTIVE NUT, SHOULDER	STEEL WITH NICKEL PLATING
	2	1	105143-9001	LGA2011 ILM ACTIVE LEVER	STAINLESS STEEL
	3	4	105143-8003	LGA2011 ILM CAPTIVE NUT COLLAR, SHOULDER	STEEL WITH NICKEL PLATING
	4	1	105143-8004	LGA2011 ILM CLEVIS, ACTIVE	STAINLESS STEEL
	5	1	105143-8005	LGA2011 ILM CLEVIS, HINGE	STAINLESS STEEL
	6	1	105143-9003	LGA2011 ILM FRAME	STEEL WITH NICKEL PLATING
	7	1	105143-9004	LGA2011 ILM FRAME INSULATOR	HALOGEN FREE POLYCARBONATE SHEET
	8	1	105143-9002	LGA2011 ILM HINGE LEVER	STAINLESS STEEL
	9	4	105143-8010	LGA 2011 ILM HS STUD	STEEL WITH NICKEL PLATING
	10	1	105143-8011	LGA2011 ILM LOADPLATE	STAINLESS STEEL
	11	4	105143-8012	LGA2011 ILM RIVET	STAINLESS STEEL

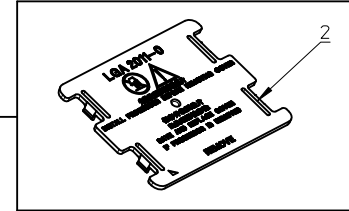
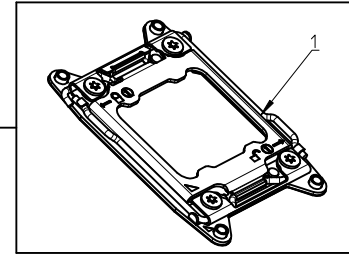
PROPOSED EC NO: SH2012-0197 DRWN: YXZHENG 2011/05/13 CHKD: APPR: AYIN 2012/06/22	QUALITY SYMBOLS	GENERAL TOLERANCES (UNLESS SPECIFIED)	DIMENSION STYLE	SCALE	DESIGN UNITS	THIRD ANGLE PROJECTION
	$F_A=0$	mm INCH	MM ONLY	1:1	METRIC	
	$F_C=0$	4 PLACES ± --- ± ---	DRAWN BY YXZHENG	DATE 2011/01/26	TITLE	ILM AND BACK PLATE DRAWING FOR LGA 2011 SOCKET (NARROW)
	$F_B=0$	3 PLACES ± --- ± ---	CHECKED BY	DATE	APPROVED BY AYIN	
	2 PLACES ± 0.20 ± ---	1 PLACE ± 0.30 ± ---	ANGULAR ± 3 °		MOLEX INCORPORATED	
	DRAFT WHERE APPLICABLE MUST REMAIN WITHIN DIMENSIONS		SEE TABLE		MATERIAL NO. SD-105142-900 DOCUMENT NO. SHEET NO. 1 OF 5	
			SIZE A3		THIS DRAWING CONTAINS INFORMATION THAT IS PROPRIETARY TO MOLEX INCORPORATED AND SHOULD NOT BE USED WITHOUT WRITTEN PERMISSION	



LGA 2011 ILM (NARROW) ASSEMBLY WITH ILM COVER
PART NO: 105142-9100



LGA 2011 ILM (NARROW) ASSEMBLY
PART NO: 105142-9000

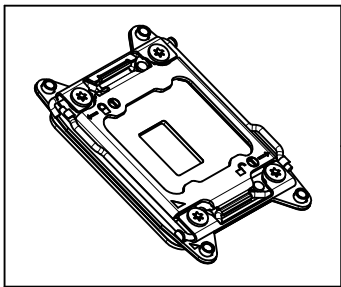


LGA 2011 ILM COVER
PART NO: 105143-8006

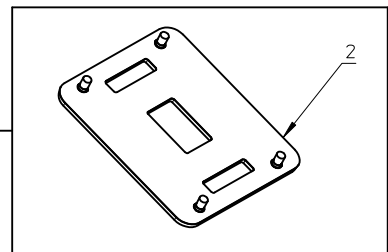
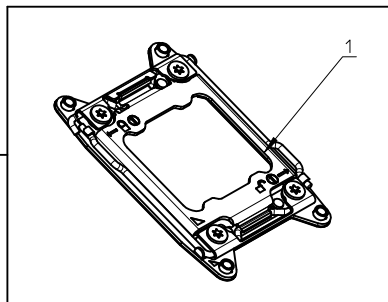
Q'T	ITEM NO	PART NO.	DESCRIPTION
1	TOP	105142-9100	LGA 2011 ILM (NARROW) ASSEMBLY WITH ILM COVER
1	1	105142-9000	LGA2011 ILM (NARROW) ASSEMBLY
1	2	105143-8006	LGA2011 ILM COVER (PC/ABS)

PROPOSED EC NO: SH2012-0197 DRWN: YXZHENG 2011/05/13 CHKD: APPR: AYIN 2012/06/22	DESCRIPTION QUALITY SYMBOLS $F_A=0$ $F_C=0$ $F_D=0$	GENERAL TOLERANCES (UNLESS SPECIFIED)		DIMENSION STYLE MM ONLY		SCALE 1:1	DESIGN UNITS METRIC	THIRD ANGLE PROJECTION	
			mm	INCH	DRAWN BY YXZHENG	DATE 2011/01/26	TITLE ILM AND BACK PLATE DRAWING FOR LGA 2011 SOCKET (NARROW)		
		4 PLACES \pm --- \pm --- 3 PLACES \pm --- \pm --- 2 PLACES \pm 0.20 \pm --- 1 PLACE \pm 0.30 \pm ---			CHECKED BY AYIN	DATE 2011/03/18			
			ANGULAR \pm 3 °		APPROVED BY AYIN		MOLEX INCORPORATED		
	DRAFT WHERE APPLICABLE MUST REMAIN WITHIN DIMENSIONS		MATERIAL NO. SEE TABLE		DOCUMENT NO. SD-105142-900		SHEET NO. 2 OF 5		

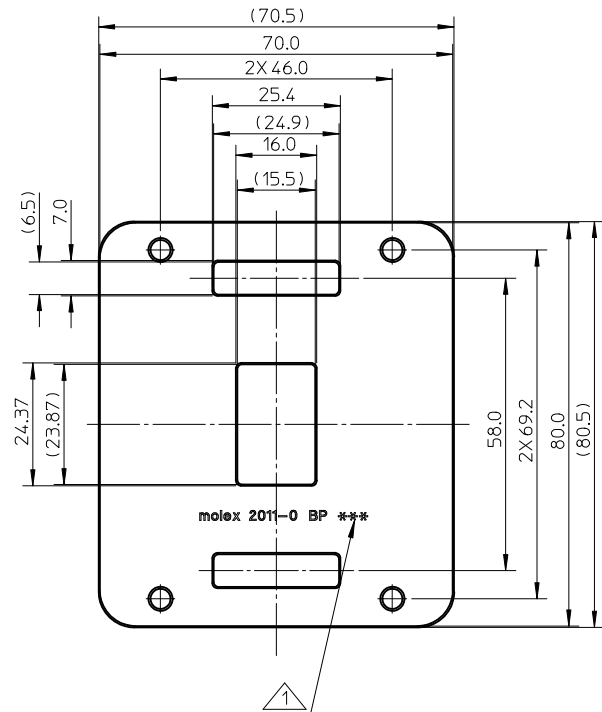
LGA 2011 ILM (NARROW) ASSEMBLY AND BACK PLATE ASSEMBLY
PART NO: 105142-9200



LGA 2011 ILM (NARROW) ASSEMBLY
PART NO: 105142-9000



LGA 2011 BACK PLATE ASSEMBLY
PART NO: 105143-7000



Q'T	ITEM NO	PART NO.	DESCRIPTION
1	TOP	105142-9200	LGA 2011 ILM (NARROW) ASSEMBLY AND BACK PLATE ASSEMBLY
1	1	105142-9000	LGA2011 ILM (NARROW) ASSEMBLY
1	2	105143-7000	LGA2011 BACK PLATE ASSEMBLY

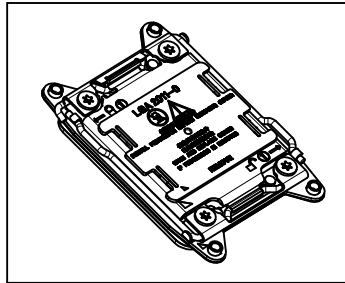
PROPOSED EC NO: SH2012-0197 DRWN: YXZHENG CHKD: APPR: AYIN	2011/05/13	2012/06/22	DESCRIPTION
	REV		
	A		

QUALITY SYMBOLS $F_A=0$ $F_C=0$ $F_P=0$	GENERAL TOLERANCES (UNLESS SPECIFIED)	
	mm	INCH
	4 PLACES	\pm ---
	3 PLACES	\pm ---
	2 PLACES	\pm 0.20
	1 PLACE	\pm 0.30
	ANGULAR \pm 3 °	
DRAFT WHERE APPLICABLE MUST REMAIN WITHIN DIMENSIONS		

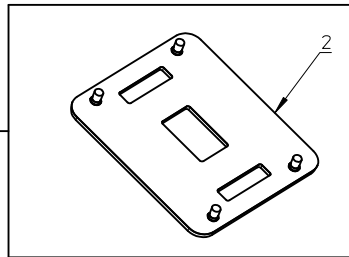
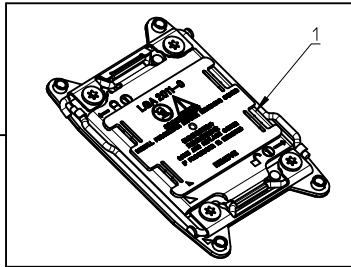
DIMENSION STYLE		SCALE	DESIGN UNITS
MM ONLY		1:2	METRIC
DRAWN BY	DATE	TITLE	
YXZHENG	2011/01/26	ILM AND BACK PLATE DRAWING FOR LGA 2011 SOCKET (NARROW)	
CHECKED BY	DATE	MOLEX INCORPORATED	
APPROVED BY	DATE	DOCUMENT NO.	
AYIN	2011/03/18	SD-105142-900	
MATERIAL NO.	SHEET NO.		
SEE TABLE	3 OF 5		

THIRD ANGLE PROJECTION	
MOLEX INCORPORATED	
SD-105142-900	
3 OF 5	

LGA 2011 ILM (NARROW) ASSEMBLY
WITH ILM COVER AND BACK
PLATE ASSEMBLY
PART NO: 105142-9300



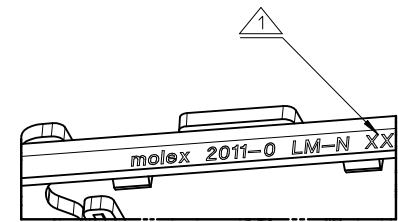
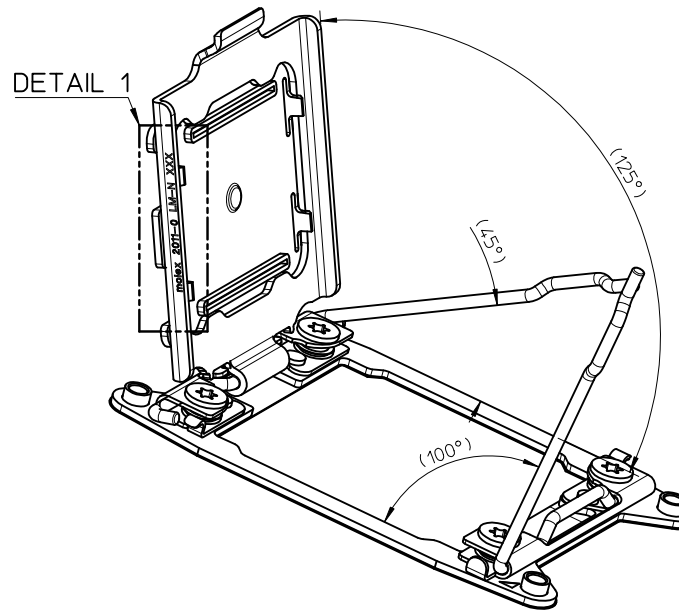
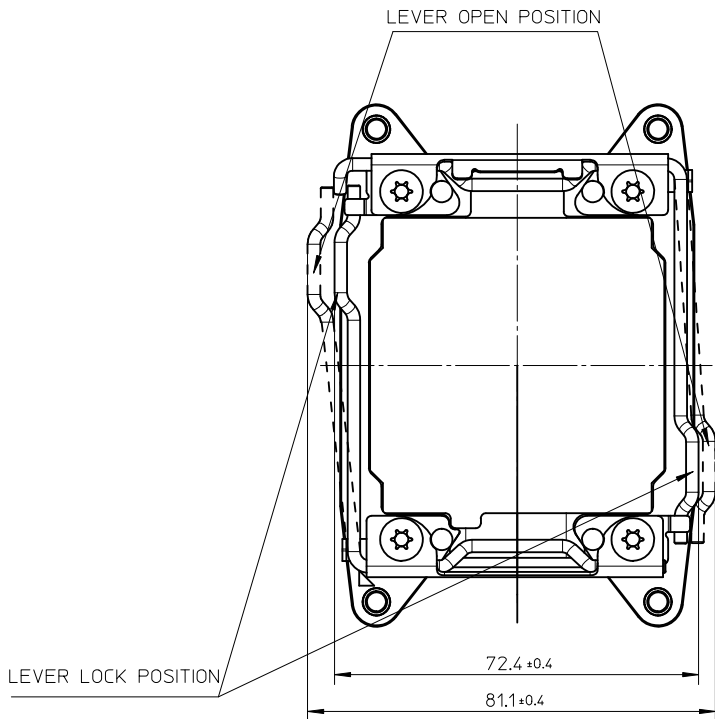
LGA 2011 ILM (NARROW) ASSEMBLY
WITH ILM COVER
PART NO: 105142-9100



LGA 2011 BACK PLATE ASSEMBLY
PART NO: 105143-7000

Q'T	ITEM NO	PART NO.	DESCRIPTION
1	TOP	105142-9300	LGA 2011 ILM (NARROW) ASSEMBLY WITH ILM COVER AND BACK PLATE ASSEMBLY
1	1	105142-9100	LGA2011 ILM (NARROW) ASSEMBLY WITH ILM COVER
1	2	105143-7000	LGA2011 BACK PLATE ASSEMBLY

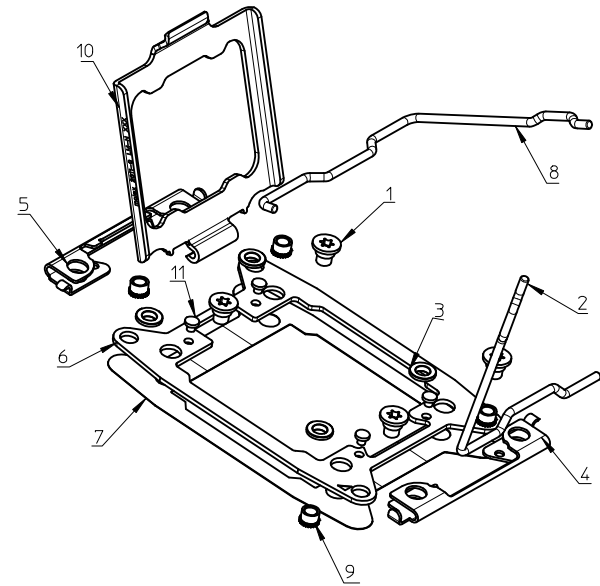
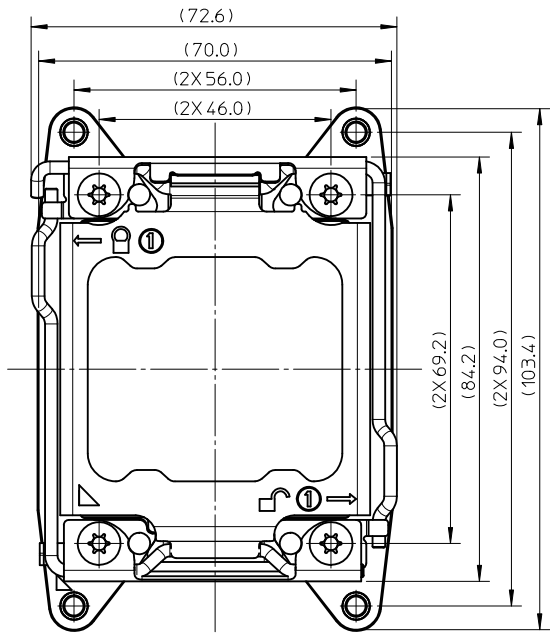
PROPOSED EC NO: SH2012-0197 DRWN: YXZHENG CHKD: APPR: AYIN	2011/05/13 2012/06/22	DESCRIPTION QUALITY SYMBOLS $F_A=0$ $F_G=0$ $F_P=0$	GENERAL TOLERANCES (UNLESS SPECIFIED)		DIMENSION STYLE MM ONLY		SCALE 1:2	DESIGN UNITS METRIC	THIRD ANGLE PROJECTION	
			mm	INCH	DRAWN BY YXZHENG	DATE 2011/01/26	TITLE ILM AND BACK PLATE DRAWING FOR LGA 2011 SOCKET (NARROW)			
			4 PLACES	± --- ± ---	CHECKED BY DATE	DATE				
			2 PLACES	± 0.20 ± ---	APPROVED BY AYIN		DATE 2011/03/18	MOLEX INCORPORATED DOCUMENT NO. SD-105142-900		
		1 PLACE	± 0.30 ± ---	MATERIAL NO. SEE TABLE		SHEET NO. 4 OF 5				
DRAFT WHERE APPLICABLE MUST REMAIN WITHIN DIMENSIONS			SIZE A3		THIS DRAWING CONTAINS INFORMATION THAT IS PROPRIETARY TO MOLEX INCORPORATED AND SHOULD NOT BE USED WITHOUT WRITTEN PERMISSION					



DETAIL 1

ILM OPEN ANGLE FOR REFERENCE ONLY

PROPOSED EC NO: SH2012-0197 DRWN: YXZHENG 2011/05/13 CHKD: APPR: AYIN 2012/06/22	DESCRIPTION REV	QUALITY SYMBOLS	GENERAL TOLERANCES (UNLESS SPECIFIED)	DIMENSION STYLE	SCALE	DESIGN UNITS	THIRD ANGLE PROJECTION	
		$\nabla_{\sqrt{3}} = 0$ $\nabla_{\sqrt{2}} = 0$ $\nabla_{\sqrt{1}} = 0$	mm INCH 4 PLACES ± --- ± --- 3 PLACES ± --- ± --- 2 PLACES ± 0.20 ± --- 1 PLACE ± 0.30 ± --- ANGULAR ± 3 °	MM ONLY	1:1	METRIC	DRAWN BY: YXZHENG DATE: 2011/01/26 CHECKED BY: DATE:	TITLE
			DRAFT WHERE APPLICABLE MUST REMAIN WITHIN DIMENSIONS	SEE TABLE			APPROVED BY: AYIN DATE: 2011/03/18 MATERIAL NO. DOCUMENT NO.	ILM AND BACK PLATE DRAWING FOR LGA 2011 SOCKET (NARROW)
							MOLEX INCORPORATED SD-105142-900	SHEET NO. 5 OF 5



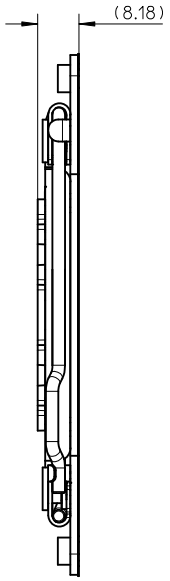
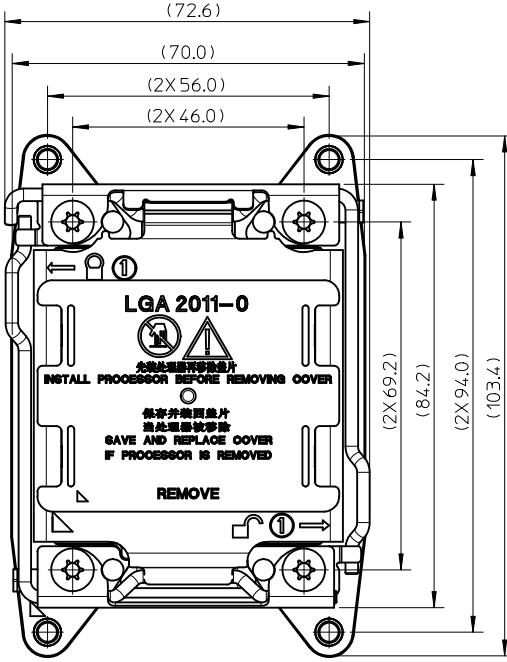
NOTES:
 1. DATE CODE
 2. DIMENSION A : ILM HEIGHT DEFINE

STATUS	HEIGHT
PRE-ASSEMBLY	7.55±0.30
AFTER-ASSEMBLY	7.23±0.30

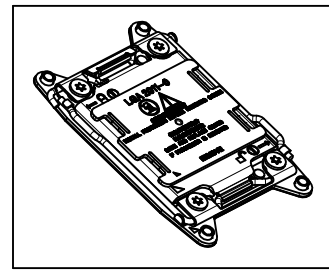
3. THE PARTS 105142**** COMPLIANT TO RoHS DIRECTIVE 2002/95/EC AND ELV 2000/53/EC.

TOP	COMPONENT				
	ITEM NO	Q'TY	PART NO.	DESCRIPTION	MATERIAL
LGA 2011 ILM ASSEMBLY (NARROW) PART NO: 105142-9000	1	4	105143-8001	LGA2011 CAPTIVE NUT, SHOULDER	STEEL WITH NICKEL PLATING
	2	1	105143-9001	LGA2011 ILM ACTIVE LEVER	STAINLESS STEEL
	3	4	105143-8003	LGA2011 ILM CAPTIVE NUT COLLAR, SHOULDER	STEEL WITH NICKEL PLATING
	4	1	105143-8004	LGA2011 ILM CLEVIS, ACTIVE	STAINLESS STEEL
	5	1	105143-8005	LGA2011 ILM CLEVIS, HINGE	STAINLESS STEEL
	6	1	105143-9003	LGA2011 ILM FRAME	STEEL WITH NICKEL PLATING
	7	1	105143-9004	LGA2011 ILM FRAME INSULATOR	HALOGEN FREE POLYCARBONATE SHEET
	8	1	105143-9002	LGA2011 ILM HINGE LEVER	STAINLESS STEEL
	9	4	105143-8010	LGA 2011 ILM HS STUD	STEEL WITH NICKEL PLATING
	10	1	105143-8011	LGA2011 ILM LOADPLATE	STAINLESS STEEL
	11	4	105143-8012	LGA2011 ILM RIVET	STAINLESS STEEL

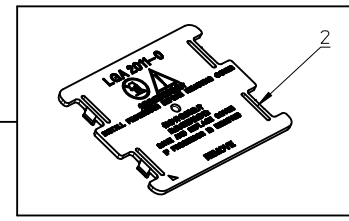
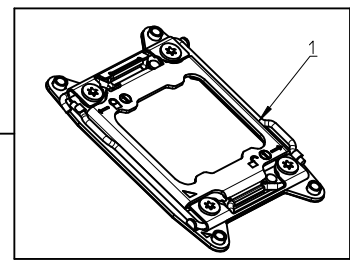
PROPOSED EC NO: SH2012-0197 DRWN: YXZHENG 2011/05/13 CHKD: CHYD APPR: AYIN 2012/06/22	QUALITY SYMBOLS	GENERAL TOLERANCES (UNLESS SPECIFIED)	DIMENSION STYLE	SCALE	DESIGN UNITS	THIRD ANGLE PROJECTION
	$F_A=0$	mm INCH	MM ONLY	1:1	METRIC	
	$F_C=0$	4 PLACES ± --- ± ---	DRAWN BY DATE	YXZHENG 2011/01/26	TITLE	ILM AND BACK PLATE DRAWING FOR LGA 2011 SOCKET (NARROW)
	$F_B=0$	3 PLACES ± --- ± ---	CHECKED BY DATE	AYIN 2011/03/18	APPROVED BY	MOLEX INCORPORATED
	2 PLACES ± 0.20 ± ---	APPROVED BY DATE	AYIN 2011/03/18	MATERIAL NO.	SD-105142-900	
	1 PLACE ± 0.30 ± ---	DRAFT WHERE APPLICABLE MUST REMAIN WITHIN DIMENSIONS	SEE TABLE	DOCUMENT NO.	1 OF 5	
	ANGULAR ± 3 °		SIZE A3	THIS DRAWING CONTAINS INFORMATION THAT IS PROPRIETARY TO MOLEX INCORPORATED AND SHOULD NOT BE USED WITHOUT WRITTEN PERMISSION		



LGA 2011 ILM (NARROW) ASSEMBLY WITH ILM COVER
PART NO: 105142-9100



LGA 2011 ILM (NARROW) ASSEMBLY
PART NO: 105142-9000

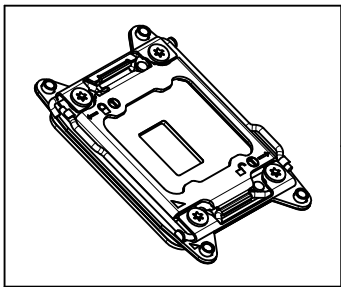


LGA 2011 ILM COVER
PART NO: 105143-8006

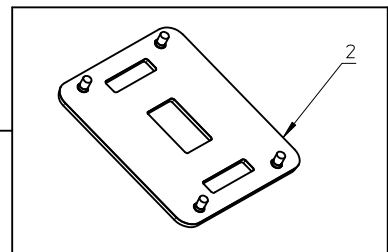
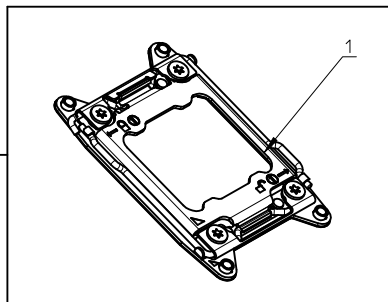
Q'T	ITEM NO	PART NO.	DESCRIPTION
1	TOP	105142-9100	LGA 2011 ILM (NARROW) ASSEMBLY WITH ILM COVER
1	1	105142-9000	LGA2011 ILM (NARROW) ASSEMBLY
1	2	105143-8006	LGA2011 ILM COVER (PC/ABS)

PROPOSED EC NO: SH2012-0197 DRWN: YXZHENG 2011/05/13 CHKD: APPR: AYIN 2012/06/22	DESCRIPTION A	QUALITY SYMBOLS	GENERAL TOLERANCES (UNLESS SPECIFIED)	DIMENSION STYLE	SCALE	DESIGN UNITS	THIRD ANGLE PROJECTION	
		$F_A=0$ $F_C=0$ $F_D=0$	mm INCH 4 PLACES ± --- ± --- 3 PLACES ± --- ± --- 2 PLACES ± 0.20 ± --- 1 PLACE ± 0.30 ± --- ANGULAR ± 3 °	MM ONLY	1:1	METRIC	DRAWN BY: YXZHENG DATE: 2011/01/26 CHECKED BY: DATE: APPROVED BY: AYIN DATE: 2011/03/18 MATERIAL NO.	TITLE: ILM AND BACK PLATE DRAWING FOR LGA 2011 SOCKET (NARROW) MOLEX INCORPORATED DOCUMENT NO. SD-105142-900 SHEET NO. 2 OF 5
			DRAFT WHERE APPLICABLE MUST REMAIN WITHIN DIMENSIONS	SEE TABLE	THIS DRAWING CONTAINS INFORMATION THAT IS PROPRIETARY TO MOLEX INCORPORATED AND SHOULD NOT BE USED WITHOUT WRITTEN PERMISSION			

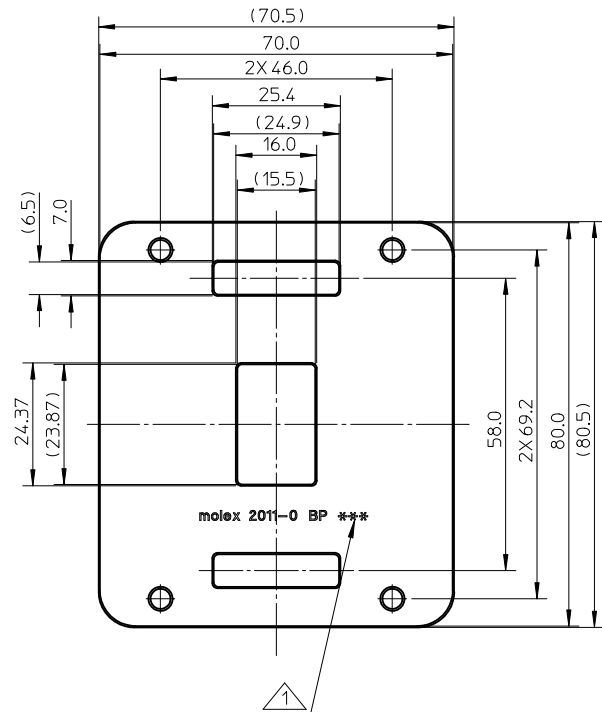
LGA 2011 ILM (NARROW) ASSEMBLY AND BACK PLATE ASSEMBLY
PART NO: 105142-9200



LGA 2011 ILM (NARROW) ASSEMBLY
PART NO: 105142-9000



LGA 2011 BACK PLATE ASSEMBLY
PART NO: 105143-7000



Q'T	ITEM NO	PART NO.	DESCRIPTION
1	TOP	105142-9200	LGA 2011 ILM (NARROW) ASSEMBLY AND BACK PLATE ASSEMBLY
1	1	105142-9000	LGA2011 ILM (NARROW) ASSEMBLY
1	2	105143-7000	LGA2011 BACK PLATE ASSEMBLY

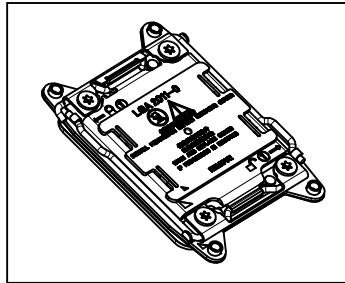
PROPOSED EC NO: SH2012-0197 DRWN: YXZHENG CHKD: APPR: AYIN	2011/05/13	2012/06/22	DESCRIPTION
	REV		
	A		

QUALITY SYMBOLS $F_A=0$ $F_G=0$ $F_P=0$	GENERAL TOLERANCES (UNLESS SPECIFIED)	
	mm	INCH
	4 PLACES	\pm ---
	3 PLACES	\pm ---
	2 PLACES	\pm 0.20
	1 PLACE	\pm 0.30
	ANGULAR \pm 3 °	
DRAFT WHERE APPLICABLE MUST REMAIN WITHIN DIMENSIONS		

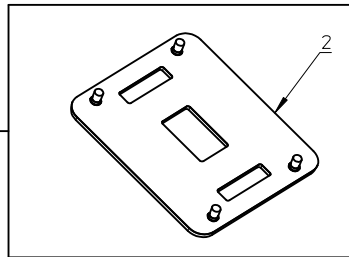
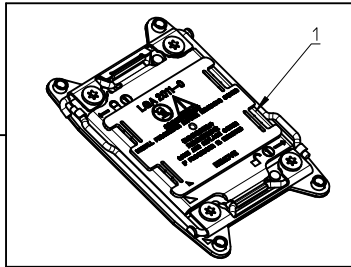
DIMENSION STYLE		SCALE	DESIGN UNITS
MM ONLY		1:2	METRIC
DRAWN BY	DATE	TITLE	
YXZHENG	2011/01/26	ILM AND BACK PLATE DRAWING FOR LGA 2011 SOCKET (NARROW)	
CHECKED BY	DATE	MOLEX INCORPORATED	
APPROVED BY	DATE	DOCUMENT NO.	
AYIN	2011/03/18	SD-105142-900	
MATERIAL NO.	SHEET NO.		
SEE TABLE	3 OF 5		

THIRD ANGLE PROJECTION	
MOLEX INCORPORATED	
SD-105142-900	
3 OF 5	

LGA 2011 ILM (NARROW) ASSEMBLY
WITH ILM COVER AND BACK
PLATE ASSEMBLY
PART NO: 105142-9300



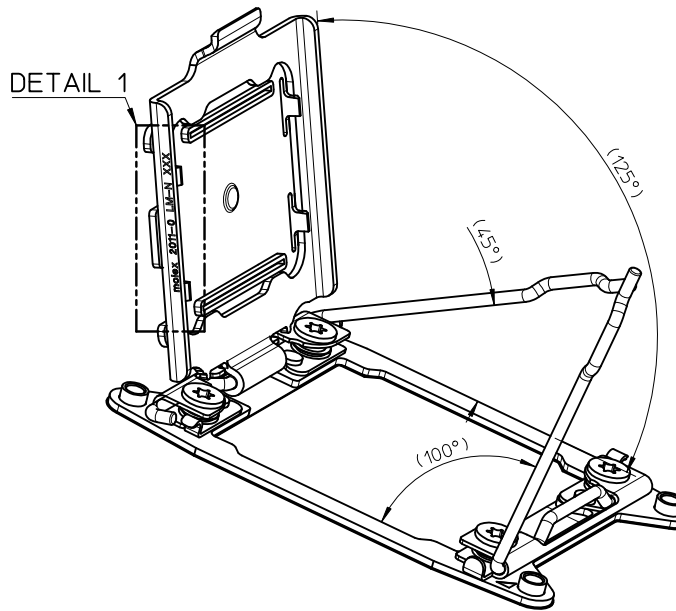
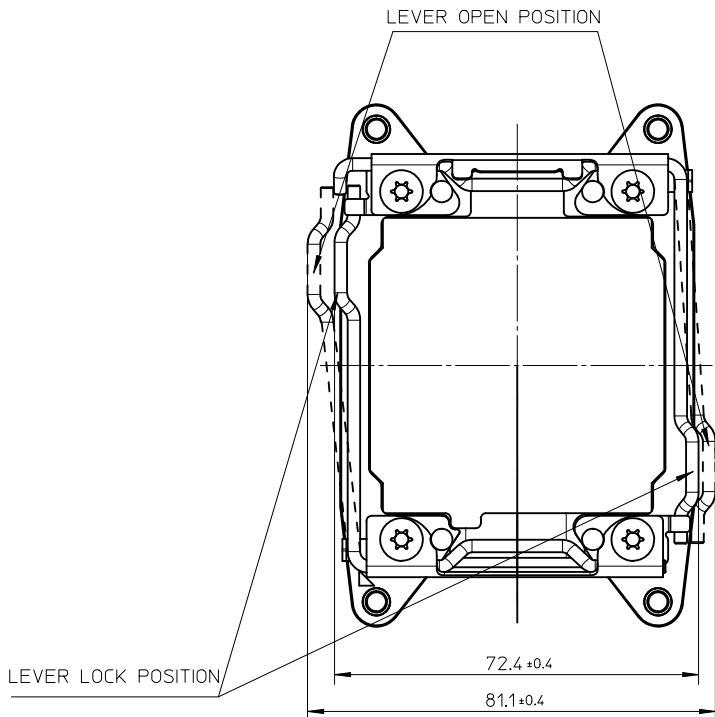
LGA 2011 ILM (NARROW) ASSEMBLY
WITH ILM COVER
PART NO: 105142-9100



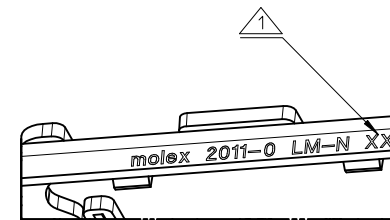
LGA 2011 BACK PLATE ASSEMBLY
PART NO: 105143-7000

Q'T	ITEM NO	PART NO.	DESCRIPTION
1	TOP	105142-9300	LGA 2011 ILM (NARROW) ASSEMBLY WITH ILM COVER AND BACK PLATE ASSEMBLY
1	1	105142-9100	LGA2011 ILM (NARROW) ASSEMBLY WITH ILM COVER
1	2	105143-7000	LGA2011 BACK PLATE ASSEMBLY

PROPOSED EC NO: SH2012-0197 DRWN: YXZHENG CHKD: APPR: AYIN	2011/05/13 2012/06/22	DESCRIPTION QUALITY SYMBOLS $F_A=0$ $F_G=0$ $F_P=0$	GENERAL TOLERANCES (UNLESS SPECIFIED)		DIMENSION STYLE MM ONLY		SCALE 1:2	DESIGN UNITS METRIC	THIRD ANGLE PROJECTION	
			mm	INCH	DRAWN BY YXZHENG	DATE 2011/01/26	TITLE ILM AND BACK PLATE DRAWING FOR LGA 2011 SOCKET (NARROW)			
			4 PLACES	\pm ---	\pm ---	CHECKED BY DATE				
			2 PLACES	\pm 0.20	\pm ---	APPROVED BY AYIN	DATE 2011/03/18	MOLEX INCORPORATED		
		1 PLACE	\pm 0.30	\pm ---	MATERIAL NO. SEE TABLE		DOCUMENT NO. SD-105142-900	SHEET NO. 4 OF 5		
		ANGULAR \pm 3 °			DRAFT WHERE APPLICABLE MUST REMAIN WITHIN DIMENSIONS					
					SIZE A3	THIS DRAWING CONTAINS INFORMATION THAT IS PROPRIETARY TO MOLEX INCORPORATED AND SHOULD NOT BE USED WITHOUT WRITTEN PERMISSION				



ILM OPEN ANGLE FOR REFERENCE ONLY



DETAIL 1

PROPOSED EC NO: SH2012-0197 DRWN: YXZHENG 2011/05/13 CHKD: CHKD: APPR: AYIN 2012/06/22	QUALITY SYMBOLS $\nabla_{\text{A}}=0$ $\nabla_{\text{B}}=0$ $\nabla_{\text{C}}=0$	GENERAL TOLERANCES (UNLESS SPECIFIED)		DIMENSION STYLE MM ONLY	SCALE 1:1	DESIGN UNITS METRIC	THIRD ANGLE PROJECTION		
			mm	INCH	DRAWN BY YXZHENG	DATE 2011/01/26	TITLE ILM AND BACK PLATE DRAWING FOR LGA 2011 SOCKET (NARROW)		
		4 PLACES ± --- ± --- 3 PLACES ± --- ± --- 2 PLACES ± 0.20 ± --- 1 PLACE ± 0.30 ± ---	ANGULAR ± 3 °		CHECKED BY DATE	APPROVED BY AYIN	DATE 2011/03/18	MOLEX INCORPORATED	
		DRAFT WHERE APPLICABLE MUST REMAIN WITHIN DIMENSIONS		SEE TABLE	MATERIAL NO. DOCUMENT NO.	SD-105142-900	SHEET NO. 5 OF 5		