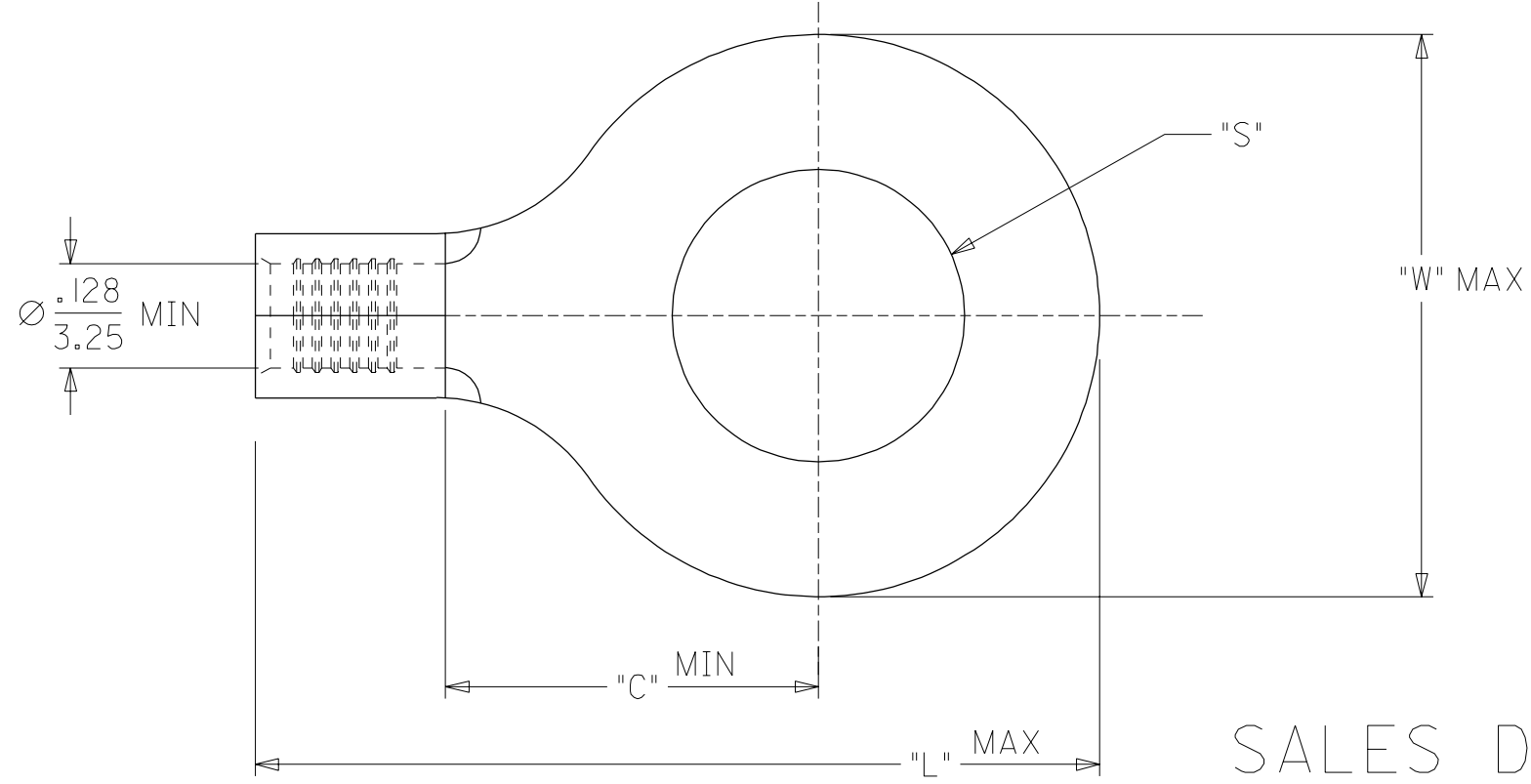
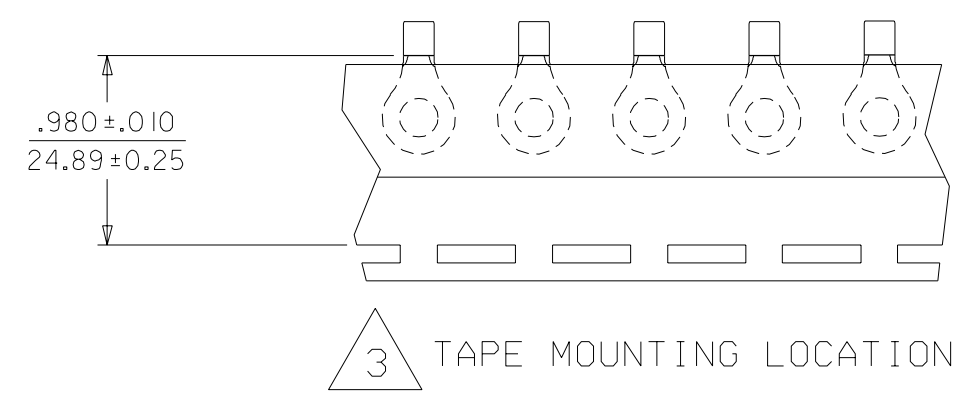


MATERIAL NUMBER	ENGINEERING NUMBER	STUD SIZE	"S" ±.003/(0.08)	"W" MAX	"C" MIN	"L" MAX	PACKAGING
192030228	C-S-128-04	4	.119/(3.02)	.385/(9.78)	.316/(8.03)	.785/(19.94)	LOOSE PIECE
192030091	C-S-128-06	6	.146/(3.71)	.385/(9.78)	.316/(8.03)	.785/(19.94)	
192030151	C-S-128-08	8	.173/(4.39)	.385/(9.78)	.316/(8.03)	.785/(19.94)	
192030093	C-S-128-10	10	.198/(5.03)	.385/(9.78)	.316/(8.03)	.785/(19.94)	
192030152	C-S-130-14	1/4	.265/(6.73)	.540/(13.71)	.393/(9.98)	.952/(24.18)	
192030153	C-S-130-56	5/16	.328/(8.33)	.540/(13.71)	.393/(9.98)	.952/(24.18)	
192030154	C-S-140-38	3/8	.390/(9.91)	.592/(15.03)	.468/(11.89)	1.056/(26.82)	
192030286	C-S-128-04T	4	.119/(3.02)	.385/(9.78)	.316/(8.03)	.785/(19.94)	
192030092	C-S-128-06T	6	.146/(3.71)	.385/(9.78)	.303/(7.70)	.785/(19.94)	
192030278	C-S-128-08T	8	.173/(4.39)	.385/(9.78)	.303/(7.70)	.785/(19.94)	
192030094	C-S-128-10T	10	.198/(5.03)	.385/(9.78)	.303/(7.70)	.785/(19.94)	
192030095	C-S-130-14T	1/4	.265/(6.73)	.540/(13.71)	.393/(9.98)	.952/(24.18)	
192030096	C-S-130-56T	5/16	.328/(8.33)	.540/(13.71)	.393/(9.98)	.952/(24.18)	
192030009	C-S-140-38T	3/8	.390/(9.91)	.592/(15.03)	.468/(11.89)	1.056/(26.82)	



SALES DRAWING

- MATERIAL: TERMINAL:STEEL
.040 THICK.
PLATING: ELECTRO NICKEL.
- ALL DIMENSIONS = INCHES / MM
- PARTS WIDER "W" THAN .575 TO BE DOUBLE SPACED.

REL DOCUMENT	EC NO. ETC2002-0086	QUALITY SYMBOLS
DRWN: BRE	01/09/27	MAJOR = 0
CHK: HEB	01/09/27	CRITICAL = 0
APPR: RWD	01/09/27	
REV		

GENERAL TOLERANCES: (UNLESS SPECIFIED)	
4 PLACES	±0. mm INCH
3 PLACES	±0. mm INCH
2 PLACES	±0. mm INCH
1 PLACE	±0. mm INCH
ANGULAR: ±1/2 °	
DRAFT WHERE APPLICABLE MUST REMAIN WITHIN DIMENSIONS	

SCALE 4:1	DESIGN UNITS
	<input type="checkbox"/> mm <input checked="" type="checkbox"/> INCH
DRAWN BY & DATE	
BRE 01/09/14	
CHECKED BY & DATE	
HEB 01/09/14	
APPROVED BY & DATE	
RWD 01/09/14	
CAD FILENAME	
SD-19203-011 DGN	

DIMENSIONS:	
<input type="checkbox"/> mm	<input checked="" type="checkbox"/> INCH
<input type="checkbox"/> mm ONLY	

SHT	REV
	REVISE ON CAD ONLY

TITLE: RING TONGUE TERMINAL TEMP-TERMS STEEL	
MOLEX INCORPORATED	
MATERIAL NO.	DRAWING NO.
SEE CHART	SD-19203-011
SHEET NO. 1 OF 1	
SIZE B	