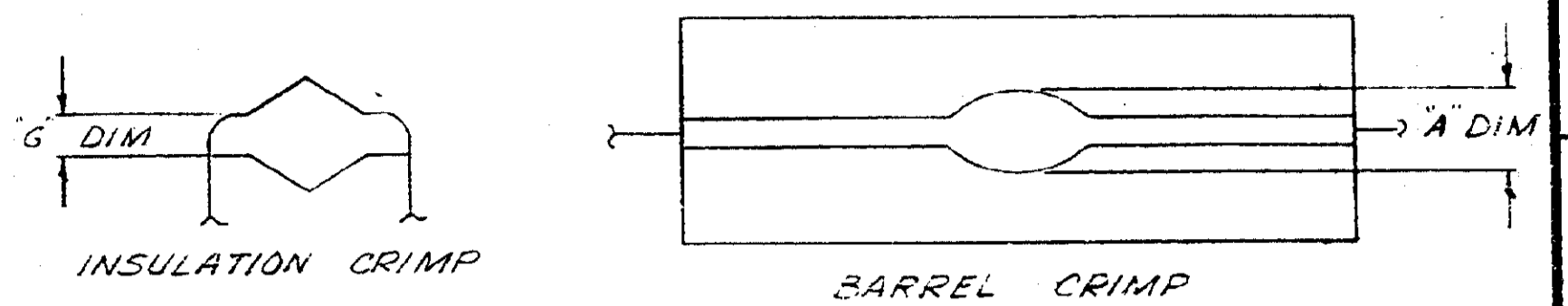
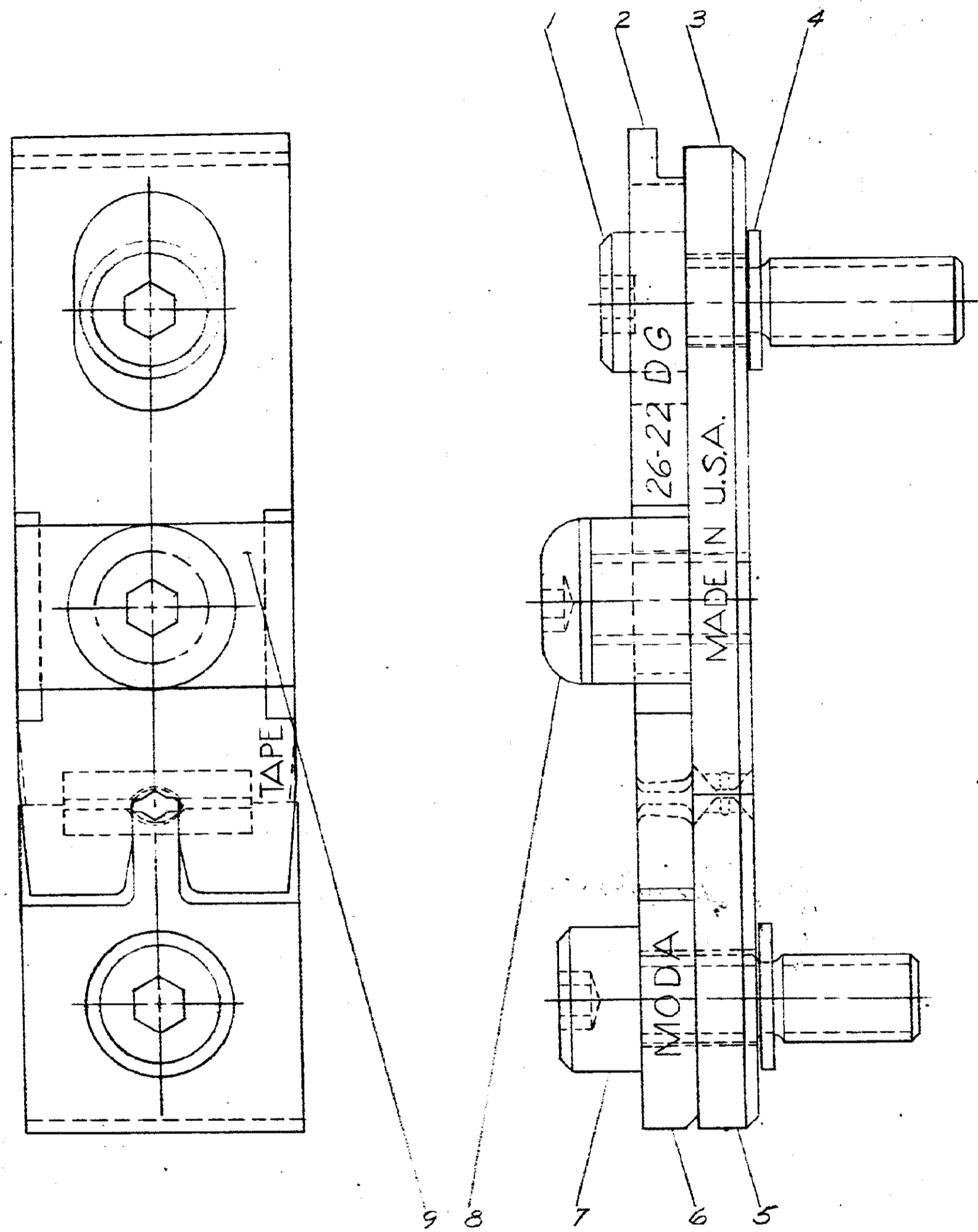


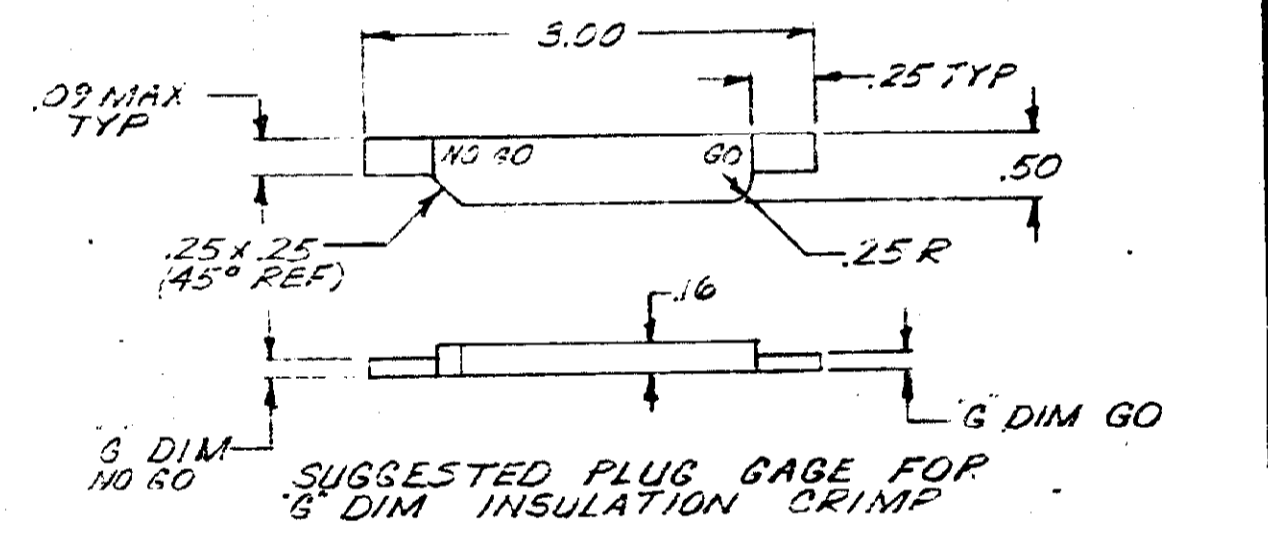
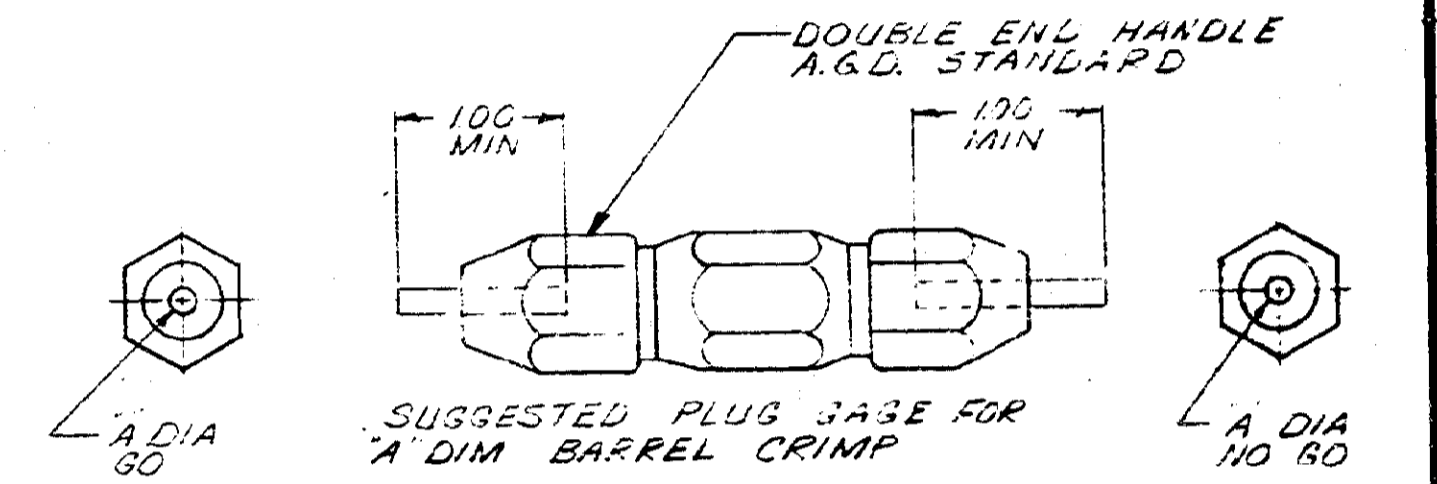
NUMBER 69902

PLUG GAGE DIMENSIONS APPLY WITH TOOL 15
 BOTTOMED BUT NOT UNDER PRESSURE.



ENLARGED VIEW OF CRIMPS

G DIM AT POS #1		A DIM	
GO	NO GO	GO	NO GO
.015	.035	.044	.055



SUPERSEDED BY 15-2423

1	307275-5	SADDLE	9
1	7-59577-6	SCREW (10-32 UNF-3A X .350 LONG)	8
1	2-59781-1	SCREW-SPECIAL	7
1	3-59619-4	ANVIL-INSULATION	6
1	307213-4	INSET-BARREL-LOWER	5
2	1-21046-3	RING-RETAINING	4
1	307212-4	INSERT-BARREL-UPPER	3
1	1-307285-0	INDENTER-INSULATION	2
1	59781-3	SCREW	1

REQUIRED PER ASSEMBLY	NUMBER	NAME	REMARKS	ITEM NO.
	69902	DIE ASSEMBLY MODA		

©1969 BY AMP INCORPORATED. ALL RIGHTS RESERVED.
 AMP PRODUCTS COVERED BY PATENTS AND/OR PATENTS PENDING.

CUSTOMER COPY REFERENCE ONLY

AMP INCORPORATED
 HARRISBURG, PENNA.

USED ON 69875

WIRE - RANGE - INSULATION TYPE
 26-22 + + CROSS CRIMP DG

TOLENANCE EXCEPT AS NOTED = .015

SCALE 4-1

LOC M C

REV A1

DATE 12-16-69

NAME R. J. [Signature]

DIMENSIONS IN INCHES. DO NOT SCALE PRINT.

REVISION	REVISION RECORD	ECH	DATE
1	REVISED BY 15-2423		12-16-69
2	REVISED		12-16-69