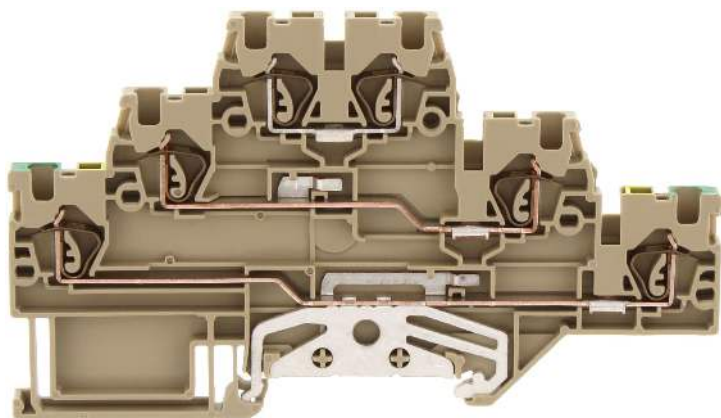


3592.2 ZIKD 2,5/PE/L/L BG



Three-level initiator terminal | Multi-wire terminal, Tension-spring connection, Mounting type: Mounting rail TS 35/7.5, Rated cross-section: 2.5 mm², Width: 5.1 mm, Colour: Beige

Business data

| | |
|--|--|
| Article number | <u>3592.2</u> |
| Article name | ZIKD 2,5/PE/L/L BG |
| GTIN (EAN) | 4044211059507 |
| Packaging unit | 50 |
| Quantity unit | PC |
| Weight per piece (not including packaging) | 26.6 g |
| Weight per piece (including packaging) | 28 g |
| Unit of weight | G |
| Customs number | 85369010 |
| Prio-Article | 3592.2 |
| Product description | Three-level initiator terminal Multi-wire terminal |

Technical data

Dimensions

| | |
|------------------|----------|
| Length | 116.2 mm |
| Width | 5.1 mm |
| Height TS 35/7.5 | 68 mm |

Ratings

| | |
|---|---------------------|
| Rated voltage | 500 V |
| Rated current | 24 A |
| Rated cross-section | 2.5 mm ² |
| Rated impulse voltage | 6 kV |
| Overvoltage category | III |
| Contamination degree | 3 |
| Maximum power dissipation for nominal condition | 2.3 W |

Connection data

| | |
|--|---------------------------|
| Connection principle | Tension-spring connection |
| Connection position | Top |
| Connections | 3 x 2 |
| Number of terminals per level | 2 |
| Number of levels | 3 |
| Wire cross-section single-core (rigid) / stranded, min. | 0.5 mm ² |
| Wire cross-section single core (rigid)/stranded, max. | 4 mm ² |
| Wire cross-section stranded, min. | 0.5 mm ² |
| Wire cross-section stranded, max. | 4 mm ² |
| Wire cross-section stranded with wire-end ferrules, min. | 0.5 mm ² |
| Wire cross-section stranded with wire-end ferrules, max. | 2.5 mm ² |
| Wire cross-section AWG, min. | 20 |
| Wire cross-section AWG, max. | 12 |
| Stripping length | 10 mm |

Materials

| | |
|---------------------------|---------------|
| Insulation housing | Polyamide 6.6 |
| Flammability class UL 94 | V-0 |
| Working temperature, min. | -40 °C |
| Working temperature, max. | 120 °C |

Technical data

Further technical data

| | |
|-------------------------------------|-------------------------|
| Mounting type | Mounting rail TS 35/7,5 |
| Gauge plug acc. to EN 60 947-1 | A3 |
| Number of cross-connection channels | 2 |
| End plate required | ✓ |
| Number of test pick-off options | 6 |
| PE connection available | ✓ |
| Can be cross-connected | ✓ |

Environmental Product Compliance

| | |
|--------------------------------|-----|
| REACH Conform | Yes |
| REACH Candidate Substance Note | No |
| RoHS Conform | Yes |

Approvals

Standards and regulations

| | |
|----------------------|----------------|
| EAC approval | TR ZU 004/2011 |
| EAC approval granted | yes |

CSA approval

| | |
|----------------------------------|--------------|
| CSA approval | C22.2 No 158 |
| CSA approval granted | yes |
| CSA Usegroup C: rated voltage | 300 V |
| CSA Usegroup C: rated current | 15 A |
| CSA wire cross-section AWG, min. | 20 |
| CSA wire cross-section AWG, max. | 12 |
| CSA stripping length | 10 mm |

CSAus approval

| | |
|------------------------------------|---------|
| CSAus approval | UL 1059 |
| CSAus approval granted | yes |
| CSAus Usegroup C: rated voltage | 300 V |
| CSAus Usegroup C: rated current | 15 A |
| CSAus wire cross-section AWG, min. | 20 |
| CSAus wire cross-section AWG, max. | 12 |
| CSAus stripping length | 10 mm |

cUL Recognized

| | |
|--|--------------|
| cUL approval | C22.2 No 158 |
| cUL Usegroup B: rated voltage | 300 V |
| cUL Usegroup B: rated current | 15 A |
| cUL Usegroup C: rated voltage | 300 V |
| cUL Usegroup C: rated current | 15 A |
| cUL Usegroup D: rated voltage | 300 V |
| cUL Usegroup D: rated current | 15 A |
| cUL wire cross-section single-core (rigid) AWG, min. | 20 |
| cUL wire cross-section single-core (rigid) AWG, max. | 12 |
| cUL wire cross-section stranded AWG, min. | 20 |
| cUL wire cross-section stranded AWG, max. | 12 |
| cUL wire material | Cu |
| cUL Recognized | 1 |

Approvals

KEMA KEUR approval

| | |
|---|--------------------------------------|
| KEMA KEUR approval | EN 60947-7-1:2009, EN 60947-7-2:2009 |
| KEMA KEUR approval granted | yes |
| KEMA rated voltage | 500 V |
| KEMA rated current | 24 A |
| KEMA rated impulse voltage | 6 kV |
| KEMA wire cross-section single core (rigid), min. | 0.5 mm ² |
| KEMA wire cross-section single-core (rigid), max. | 4 mm ² |
| KEMA wire cross-section stranded, min. | 0.5 mm ² |
| KEMA wire cross-section stranded, max. | 4 mm ² |

UL Recognized

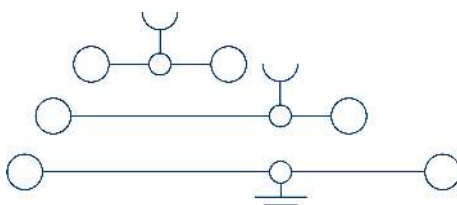
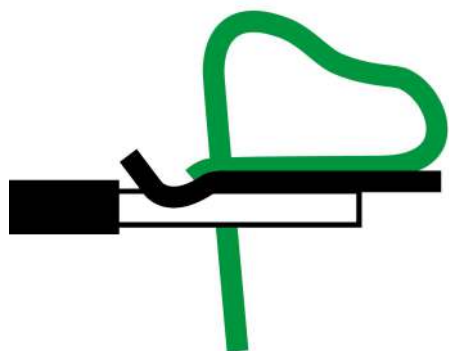
| | |
|---|---------|
| UL approval | UL 1059 |
| UL Usegroup B: rated voltage | 300 V |
| UL Usegroup B: rated current | 15 A |
| UL Usegroup C: rated voltage | 300 V |
| UL Usegroup C: rated current | 15 A |
| UL Usegroup D: rated voltage | 300 V |
| UL Usegroup D: rated current | 15 A |
| UL wire cross-section single-core (rigid) AWG, min. | 20 |
| UL wire cross-section single-core (rigid) AWG, max. | 12 |
| UL wire cross-section stranded AWG, min. | 20 |
| UL wire cross-section stranded AWG, max. | 12 |
| UL wire material | Cu |
| UL factory wiring | 1 |
| UL field wiring | 1 |
| UL Recognized | 1 |

Approvals

DNV GL Approval

| | |
|---|---|
| DNV GL Certificate number | TAE00000Y7 |
| DNV GL Location Classes | Temperature: B, Humidity: B, Vibration: A |
| DNV GL approval granted | 1 |
| DNV GL rated cross-section | 2.5 mm ² |
| DNV GL rated current | 24 A |
| DNV GL rated voltage | 500 V |
| DNV GL test standard | IEC 60947-7-1:2009, IEC 60947-7-2:2009 |
| DNV GL wire cross-section single-core (rigid), max. | 4 mm ² |
| DNV GL wire cross-section stranded, max. | 2.5 mm ² |

Media



Accessories

End plate



End plate, Width: 1.5 mm, Colour: Beige

| Article number | Article name | GTIN (EAN) | Packaging unit |
|----------------|---------------|---------------|----------------|
| <u>3761.2</u> | ZAP 2,5/ID BG | 4044211060855 | 20 |

Actuating tool



Actuating tool, No. of poles: 1, Colour: Black

| Article number | Article name | GTIN (EAN) | Packaging unit |
|----------------|-----------------------|---------------|----------------|
| <u>3808.0</u> | BWMA 1 (0,5 x 3,5 mm) | 4044211078850 | 1 ST |

Identification adapter



Label holder, Pitch size: 5.1 mm, Colour: beige

| Article number | Article name | GTIN (EAN) | Packaging unit |
|----------------|--------------|---------------|----------------|
| <u>3813.2</u> | ZBA 3 BG | 4044211080747 | 50 ST |

End stop



End stop, Mounting type: Mounting rail TS 35/7.5 and TS 35/15, Width: 6 mm, Colour: Beige

| Article number | Article name | GTIN (EAN) | Packaging unit |
|----------------|--------------|---------------|----------------|
| <u>3748.2</u> | ZES 35 BG | 4044211060572 | 50 |

Test adapter

3592.2 ZIKD 2,5/PE/L/L BG



Test adapter, Pitch size: 5.1 mm, Colour: Beige

| Article number | Article name | GTIN (EAN) | Packaging unit |
|----------------|--------------|---------------|----------------|
| <u>3740.2</u> | ZTA 2,5 BG | 4044211060497 | 10 ST |

Insulated cross-connector



Insulated cross-connector, No. of poles: 7, Mounting type: Plug in, Width: 34.6 mm, Rated cross-section: 2.5 mm², Colour: Yellow

| Article number | Article name | GTIN (EAN) | Packaging unit |
|----------------|--------------|---------------|----------------|
| <u>3715.8</u> | ZQI 2,5/7 YE | 4044211060336 | 20 |



Insulated cross-connector, No. of poles: 2, Mounting type: Plug in, Width: 9.1 mm, Rated cross-section: 2.5 mm², Colour: Yellow

| Article number | Article name | GTIN (EAN) | Packaging unit |
|----------------|--------------|---------------|----------------|
| <u>3710.8</u> | ZQI 2,5/2 YE | 4044211060282 | 50 |



Insulated cross-connector, No. of poles: 10, Mounting type: Plug in, Width: 49.9 mm, Rated cross-section: 2.5 mm², Colour: Yellow

| Article number | Article name | GTIN (EAN) | Packaging unit |
|----------------|---------------|---------------|----------------|
| <u>3718.8</u> | ZQI 2,5/10 YE | 4044211060367 | 10 |



Insulated cross-connector, No. of poles: 3, Mounting type: Plug in, Width: 14.2 mm, Rated cross-section: 2.5 mm², Colour: Yellow

| Article number | Article name | GTIN (EAN) | Packaging unit |
|----------------|--------------|---------------|----------------|
| <u>3711.8</u> | ZQI 2,5/3 YE | 4044211060299 | 50 |



Insulated cross-connector, No. of poles: 5, Mounting type: Plug in, Width: 24.4 mm, Rated cross-section: 2.5 mm², Colour: Yellow

| Article number | Article name | GTIN (EAN) | Packaging unit |
|----------------|--------------|---------------|----------------|
| <u>3713.8</u> | ZQI 2,5/5 YE | 4044211060312 | 20 |

3592.2 ZIKD 2,5/PE/L/L BG

Insulated cross-connector



Insulated cross-connector, No. of poles: 8, Mounting type: Plug in, Width: 39.7 mm, Rated cross-section: 2.5 mm², Colour: Yellow

| Article number | Article name | GTIN (EAN) | Packaging unit |
|----------------|--------------|---------------|----------------|
| <u>3716.8</u> | ZQI 2,5/8 YE | 4044211060343 | 10 |



Insulated cross-connector, No. of poles: 4, Mounting type: Plug in, Width: 19.3 mm, Rated cross-section: 2.5 mm², Colour: Yellow

| Article number | Article name | GTIN (EAN) | Packaging unit |
|----------------|--------------|---------------|----------------|
| <u>3712.8</u> | ZQI 2,5/4 YE | 4044211060305 | 20 |



Insulated cross-connector, No. of poles: 6, Mounting type: Plug in, Width: 29.5 mm, Rated cross-section: 2.5 mm², Colour: Yellow

| Article number | Article name | GTIN (EAN) | Packaging unit |
|----------------|--------------|---------------|----------------|
| <u>3714.8</u> | ZQI 2,5/6 YE | 4044211060329 | 20 |



Insulated cross-connector, No. of poles: 99, Mounting type: Plug in, Width: 500 mm, Rated cross-section: 2.5 mm², Colour: Yellow

| Article number | Article name | GTIN (EAN) | Packaging unit |
|----------------|--------------------------|---------------|----------------|
| <u>3719.8</u> | ZQI 2,5/0,5 m/99 Pole YE | 4044211060374 | 2 |

Quick marking



Terminal marker / Pocket Maxicard, Length: 5 mm, Width: 5 mm, Colour: White

| Article number | Article name | GTIN (EAN) | Packaging unit |
|----------------|----------------|---------------|----------------|
| <u>4600.7</u> | PMC SB 5/50 WH | 4044211088903 | 500 ST |

3592.2 ZIKD 2,5/PE/L/L BG

Four-way cover



Cover, Length: 6.7 mm, Width: 20.4 mm, Colour: Yellow

| Article number | Article name | GTIN (EAN) | Packaging unit |
|----------------|----------------|---------------|----------------|
| <u>3706.0</u> | ZAD 2,5/4/B YE | 4044211060244 | 20 ST |

Vertical connector



Vertical insulated cross-connector, No. of poles: 1, Colour: Orange

| Article number | Article name | GTIN (EAN) | Packaging unit |
|----------------|--------------|---------------|----------------|
| <u>3744.2</u> | ZVQI 2,5 OG | 4044211060534 | 20 ST |

Reducing sleeves



Reducing sleeve, Width: 51 mm, Pitch size: 5.1 mm, Colour: Grey

| Article number | Article name | GTIN (EAN) | Packaging unit |
|----------------|---------------------|---------------|----------------|
| <u>3751.6</u> | ZRH 2,5/0,25-0,5 GR | 4044211060602 | 1000 ST |



Reducing sleeve, Width: 51 mm, Pitch size: 5.1 mm, Colour: White

| Article number | Article name | GTIN (EAN) | Packaging unit |
|----------------|---------------------|---------------|----------------|
| <u>3750.7</u> | ZRH 2,5/0,13-0,2 WH | 4044211060596 | 1000 ST |



Reducing sleeve, Width: 51 mm, Pitch size: 5.1 mm, Colour: Black

| Article number | Article name | GTIN (EAN) | Packaging unit |
|----------------|---------------------|---------------|----------------|
| <u>3752.4</u> | ZRH 2,5/0,75-1,0 BK | 4044211060619 | 1000 ST |